



Chipsmall Limited consists of a professional team with an average of over 10 year of expertise in the distribution of electronic components. Based in Hongkong, we have already established firm and mutual-benefit business relationships with customers from,Europe,America and south Asia,supplying obsolete and hard-to-find components to meet their specific needs.

With the principle of “Quality Parts,Customers Priority,Honest Operation,and Considerate Service”,our business mainly focus on the distribution of electronic components. Line cards we deal with include Microchip,ALPS,ROHM,Xilinx,Pulse,ON,Everlight and Freescale. Main products comprise IC,Modules,Potentiometer,IC Socket,Relay,Connector.Our parts cover such applications as commercial,industrial, and automotives areas.

We are looking forward to setting up business relationship with you and hope to provide you with the best service and solution. Let us make a better world for our industry!



Contact us

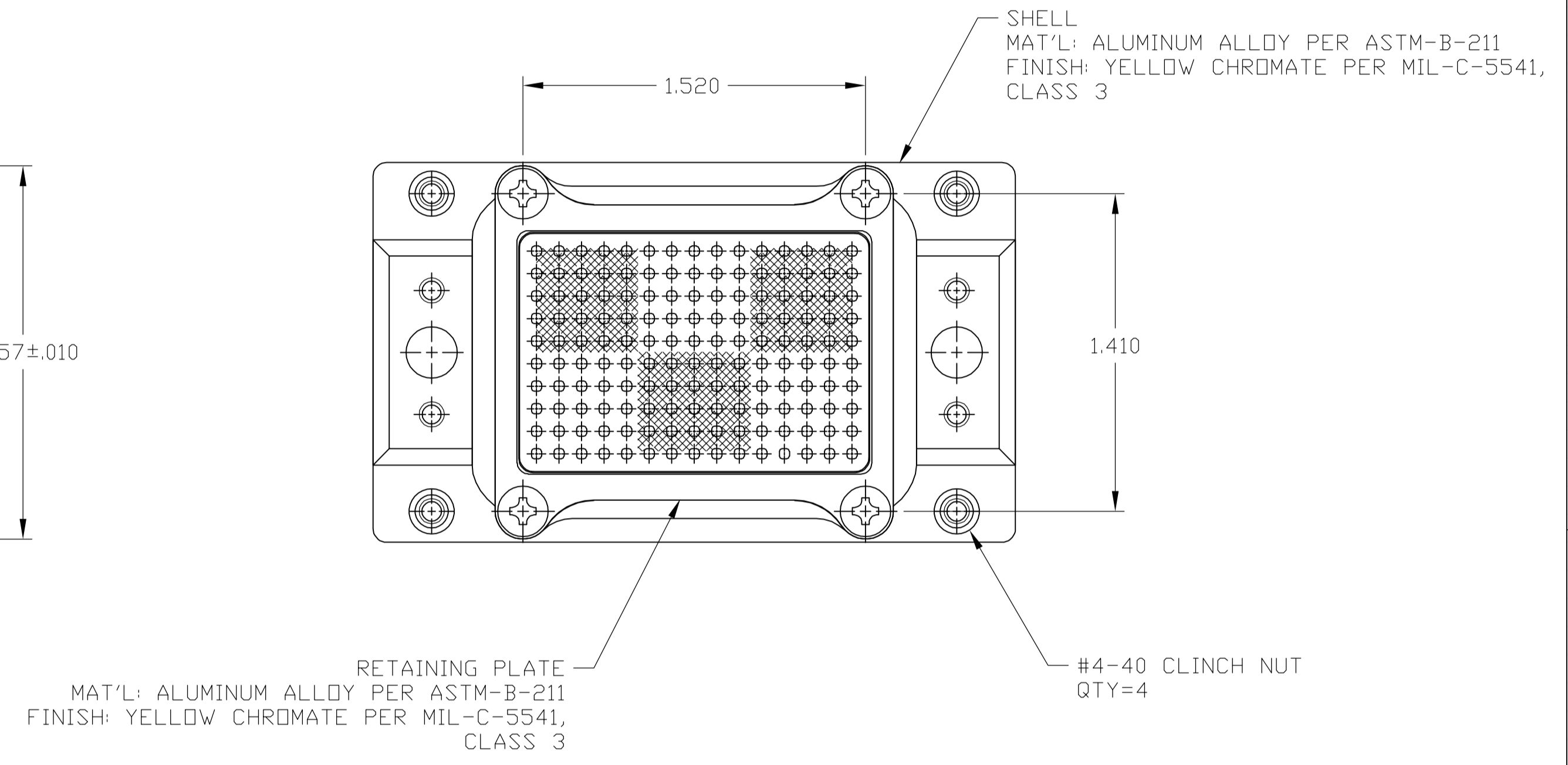
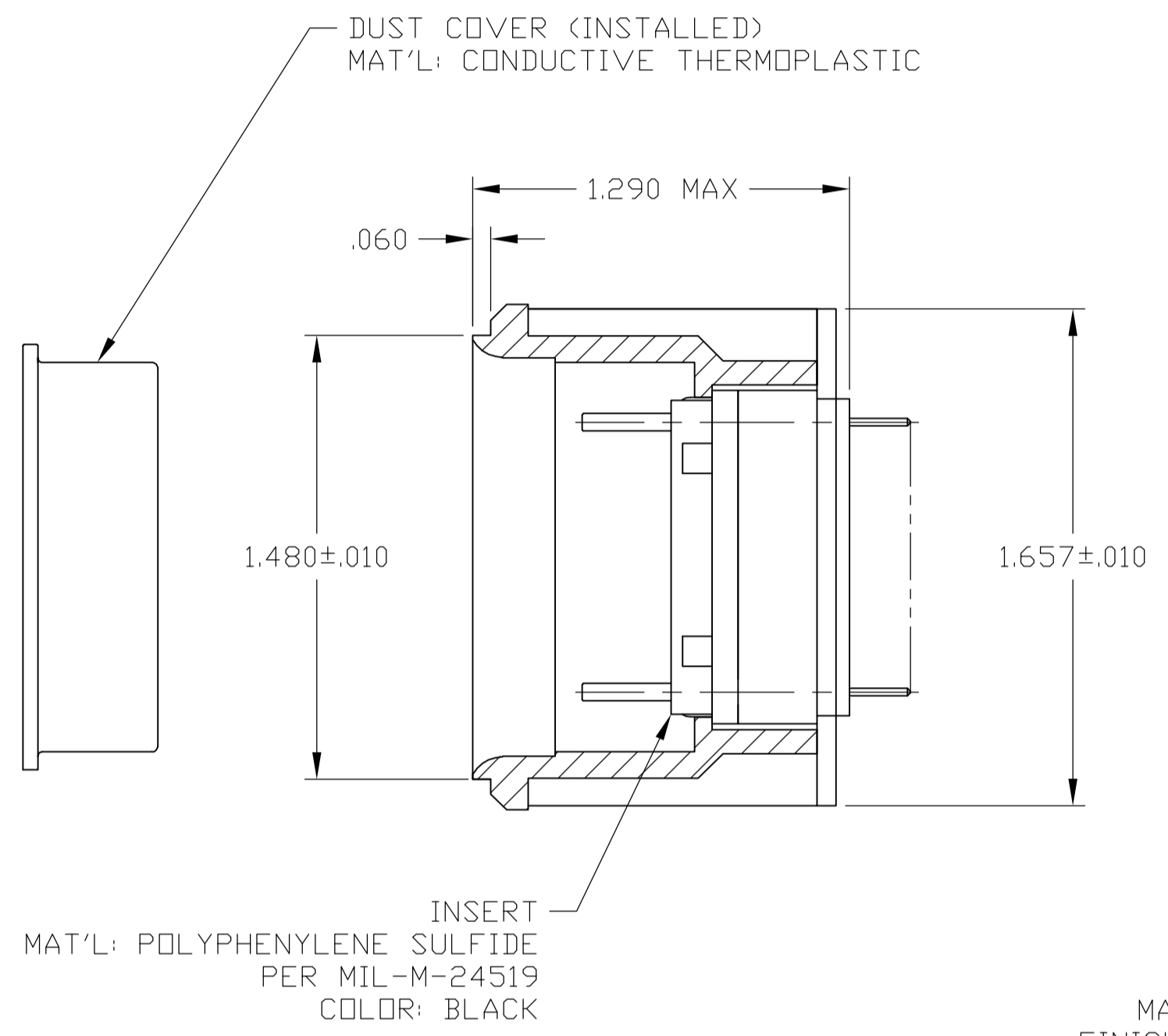
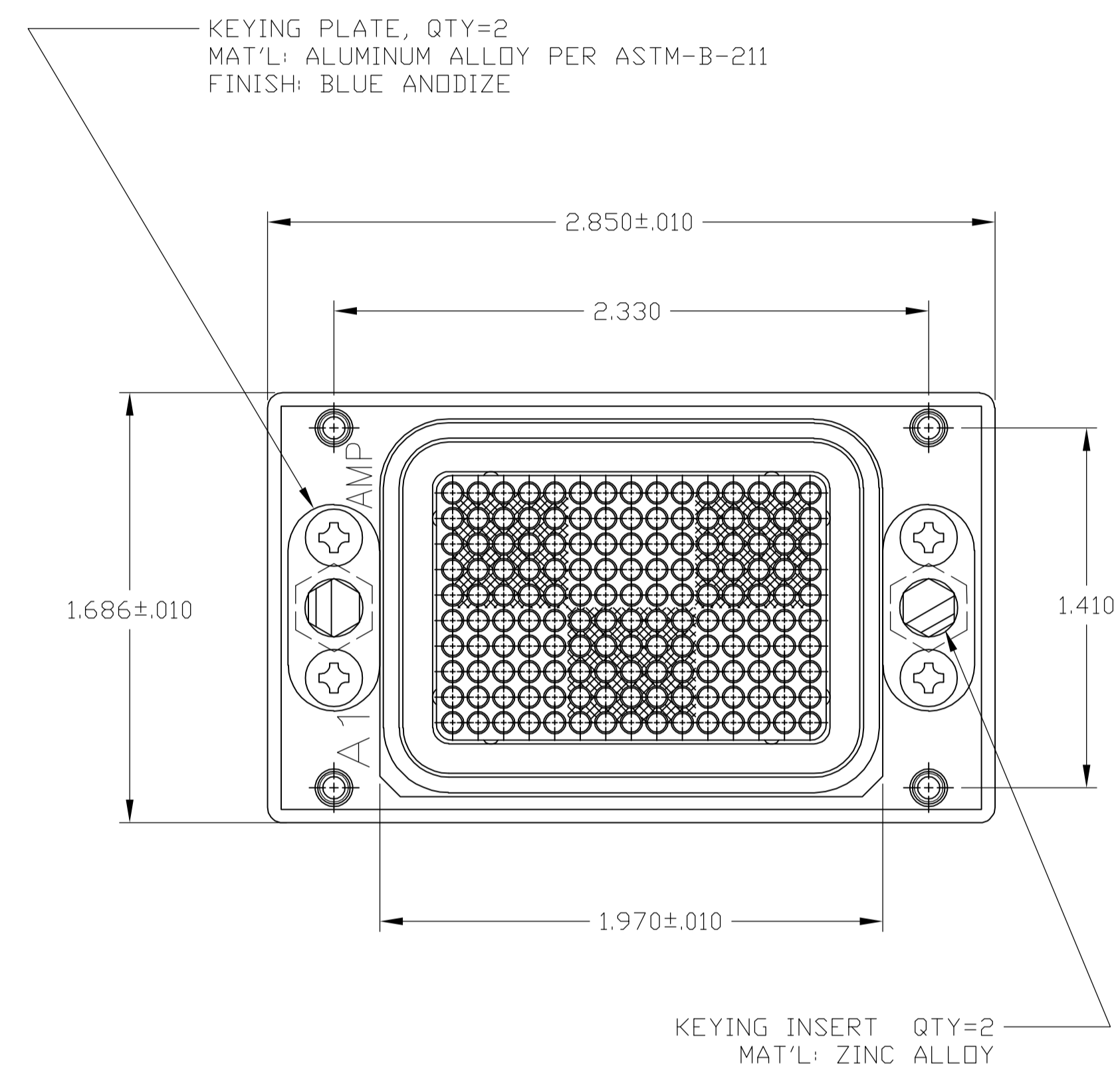
Tel: +86-755-8981 8866 Fax: +86-755-8427 6832

Email & Skype: info@chipsmall.com Web: www.chipsmall.com

Address: A1208, Overseas Decoration Building, #122 Zhenhua RD., Futian, Shenzhen, China



LOC	DIST	REVISIONS				
DF	AO	REV	DESCRIPTION	DATE	OWN	APVD
		C	REV PER 0G3D-0439-03	10-03	CT	SG



- KEYING ASSEMBLED IN POSITION PER TABLE. FOR KEYING "00" HARDWARE IS SUPPLIED UNASSEMBLED.
- CONTACT PART NUMBERS LOADED IN CONNECTOR: (-1 ONLY)
 (SOLDER POSTS ARE SOLDER COATED)
 SIZE 22 SOCKET CONTACT (150) AMP P/N 1-211431-3.

KEYING POSITION	REMARKS	PART NO.
00	-	1484791-2
10		1484791-1

THIS DRAWING IS A CONTROLLED DOCUMENT.

DIMENSIONS: INCHES	TOLERANCES UNLESS OTHERWISE SPECIFIED:	DWN: C.C.THOMAS 16MAY2002	Tyco Electronics Corporation Harrisburg, Pa. 17105
0 PLC ± - 1 PLC ± - 2 PLC ± - 3 PLC ± .005 4 PLC ± - ANGLES ± -	FINISH SEE CALLOUTS	CHK: S.GLATFELTER 5-17-02 APVD: S.GLATFELTER 5-17-02 PRODUCT SPEC APPLICATION SPEC	
MATERIAL SEE CALLOUTS	WEIGHT -	SIZE: A1	RCPT ASSY,SINGLE MOD,FRONT RELEASE 150 POSN,ARINC 600 CAGE CODE DRAWING NO: 00779 DRAWING NO: 1484791
CUSTOMER DRAWING		SCALE: 2:1	SHEET 1 OF 1 REV C