



Chipsmall Limited consists of a professional team with an average of over 10 year of expertise in the distribution of electronic components. Based in Hongkong, we have already established firm and mutual-benefit business relationships with customers from,Europe,America and south Asia,supplying obsolete and hard-to-find components to meet their specific needs.

With the principle of "Quality Parts,Customers Priority,Honest Operation,and Considerate Service",our business mainly focus on the distribution of electronic components. Line cards we deal with include Microchip,ALPS,ROHM,Xilinx,Pulse,ON,Everlight and Freescale. Main products comprise IC,Modules,Potentiometer,IC Socket,Relay,Connector.Our parts cover such applications as commercial,industrial, and automotives areas.

We are looking forward to setting up business relationship with you and hope to provide you with the best service and solution. Let us make a better world for our industry!



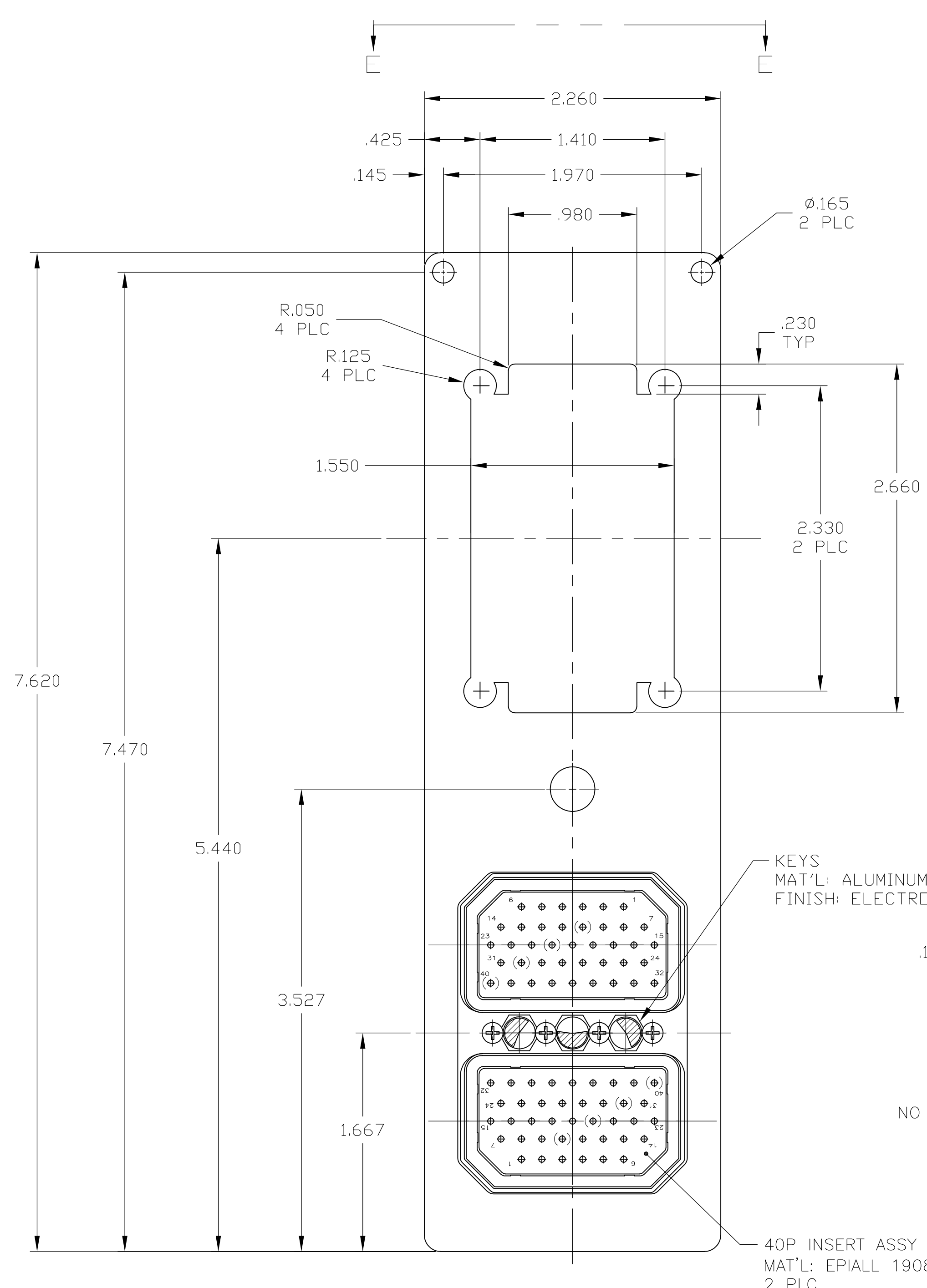
Contact us

Tel: +86-755-8981 8866 Fax: +86-755-8427 6832

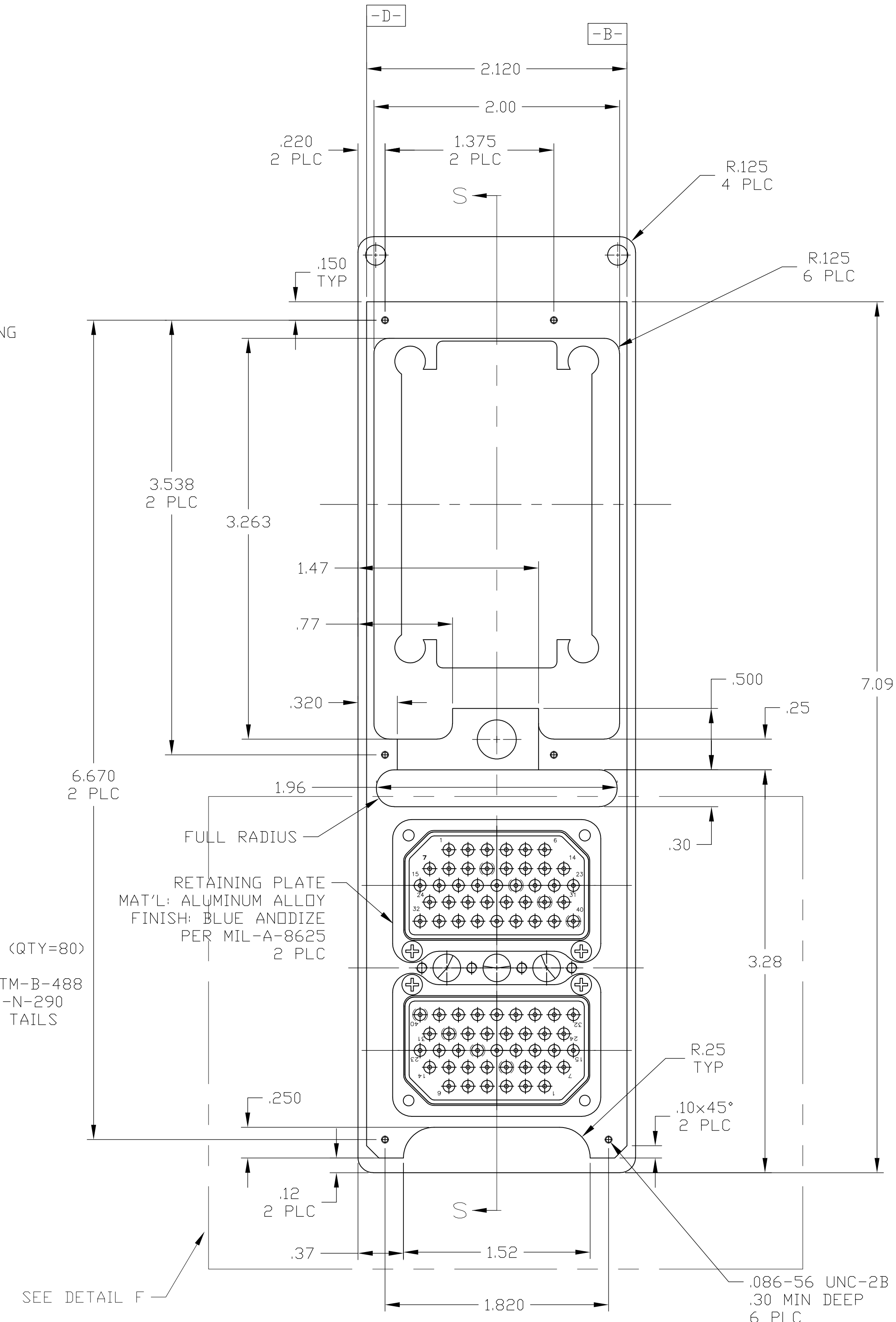
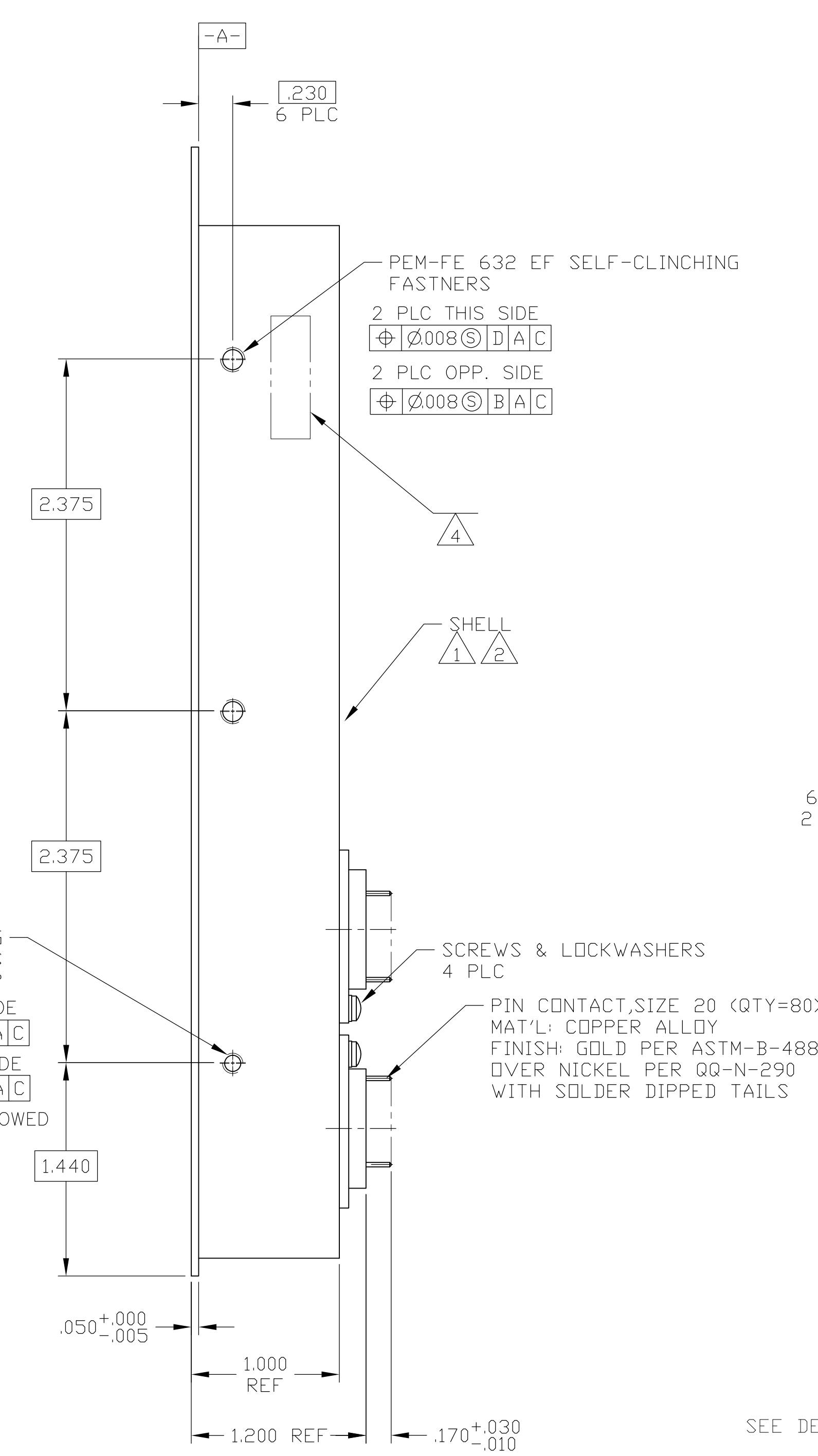
Email & Skype: info@chipsmall.com Web: www.chipsmall.com

Address: A1208, Overseas Decoration Building, #122 Zhenhua RD., Futian, Shenzhen, China





.138-32 LOCKING HELICOLDS
.15 MIN DEEP
1 PLC THIS SIDE
1 PLC OPP. SIDE
NO BREAKTHRU ALLOWED



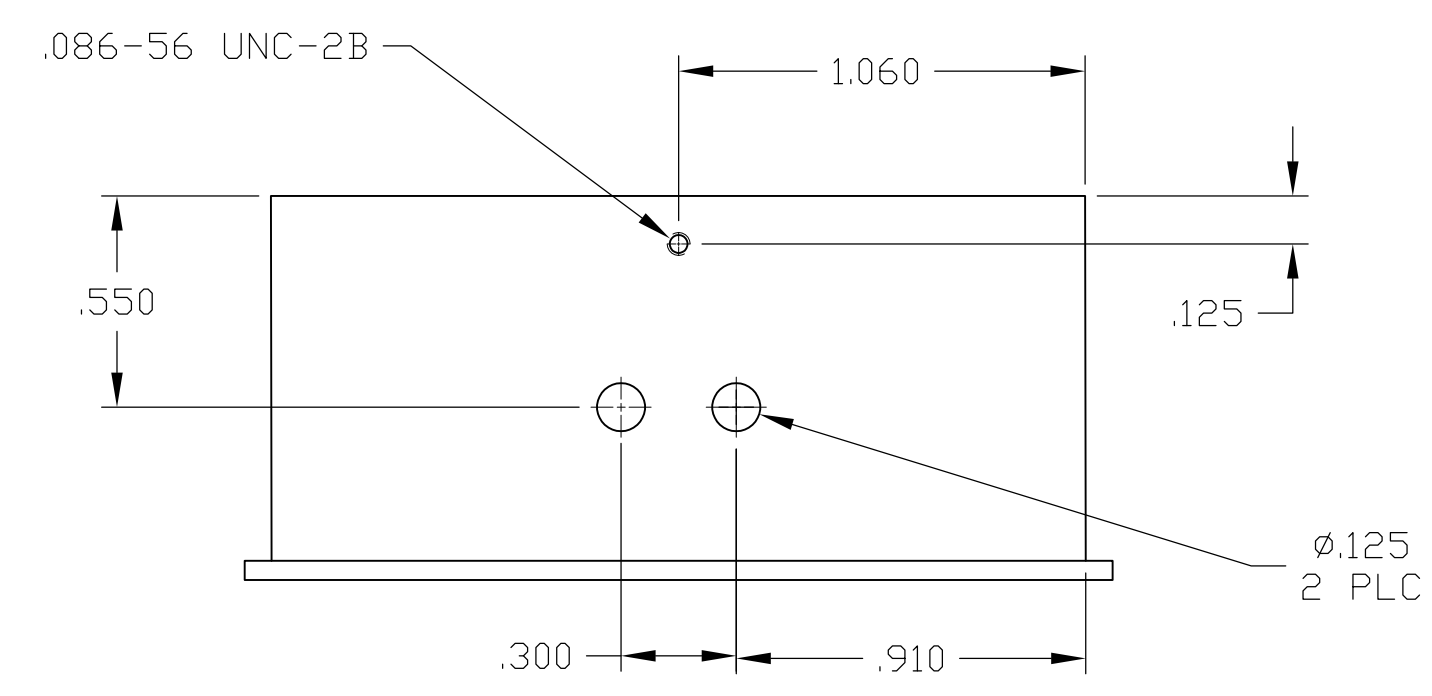
- MAT'L: ALUMINUM ALLOY 6061-T4 OR T6.
- FINISH: CHROMATE PLATE (IRRIDITE); CLEAR CHROMATE PER MIL-C-5541
- DUST COVER INSTALLED BUT NOT SHOWN.
- MARKED PER MIL-STD-130 IN APPROX AREA SHOWN.
- SCREWS & FASTENERS: MAT'L: STAINLESS STEEL. FINISH: PASSIVATED
- MEETS THE REQUIREMENTS OF HONEYWELL 440-1216-001 AND -002

OBSOLETE	SEE VIEW E-E	1484843-2
	AS SHOWN	1484843-1
	REMARKS	PART NO.

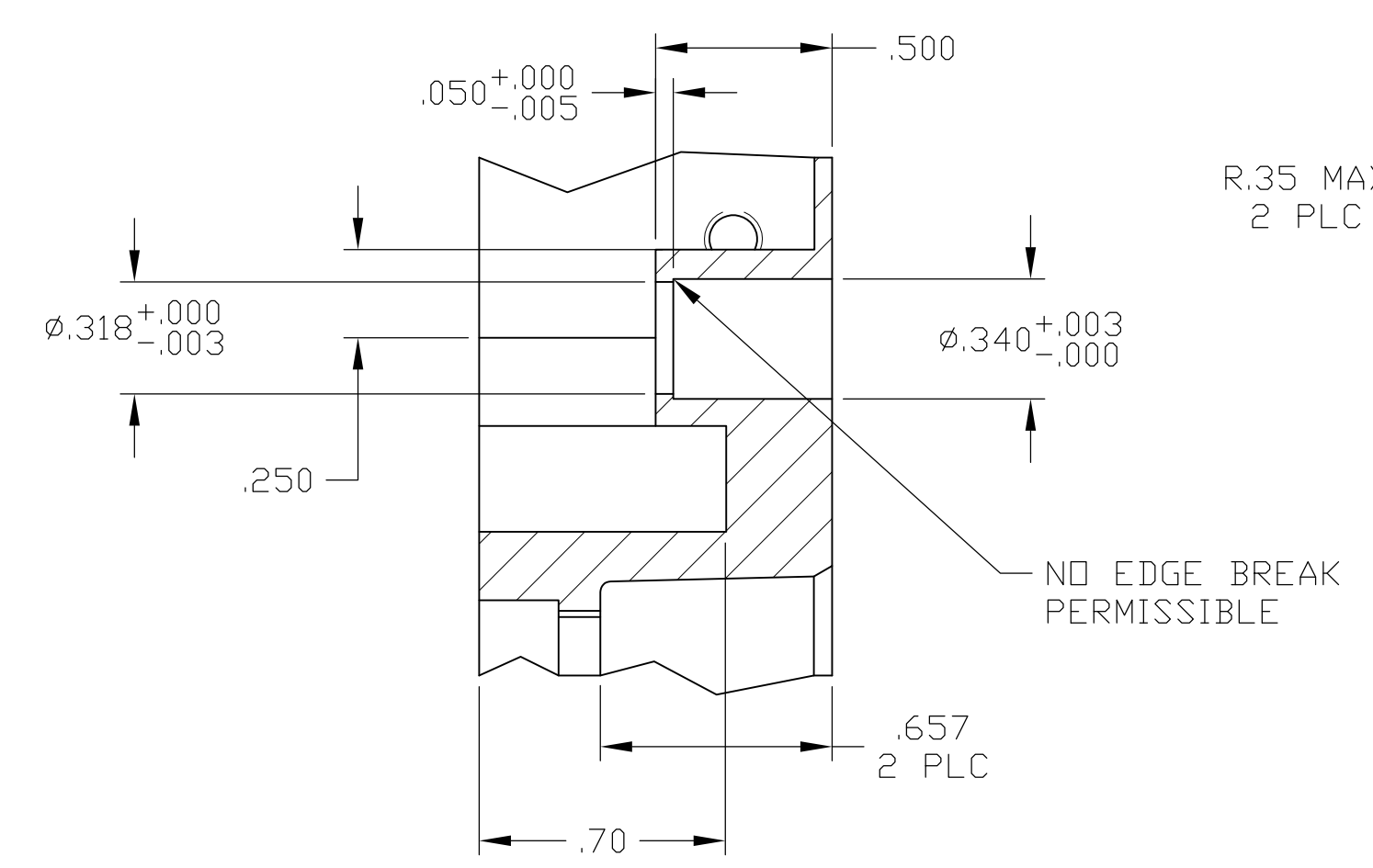
THIS DRAWING IS A CONTROLLED DOCUMENT.

DIMENSIONS: INCHES	TOLERANCES UNLESS OTHERWISE SPECIFIED:	DIN C.C.THOMAS 15MAY2002	APVD LARRY OH	NAME
0 PLC ± .01	1 PLC ± .01	1-9-03	1-9-03	ARINC 404 SPECIAL,R2R40P40P-0015 (200)
2 PLC ± .01	3 PLC ± .005			
4 PLC ± .01	ANGLES ± .1			
MATERIAL SEE CALLOUTS	FINISH SEE CALLOUTS	WEIGHT	SIZE CAGE CODE DRAWING NO	RESTRICTED TO
			A1 00779 1484843	
		CUSTOMER DRAWING	SCALE 1:1	SHEET 1 OF 2 REV J

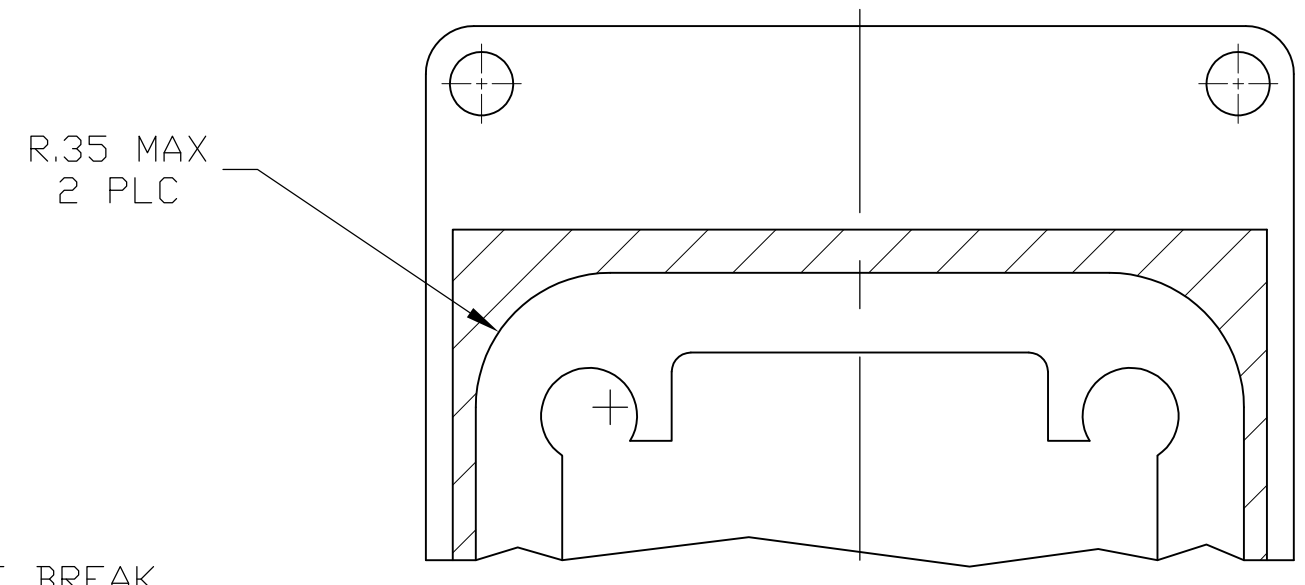
LOC		DIST		REVISIONS				
DF	AO	REV	DATE	DESCRIPTION	DATE	BY	APPV	
-	-	1	-	SEE SHEET 1	-	-	-	



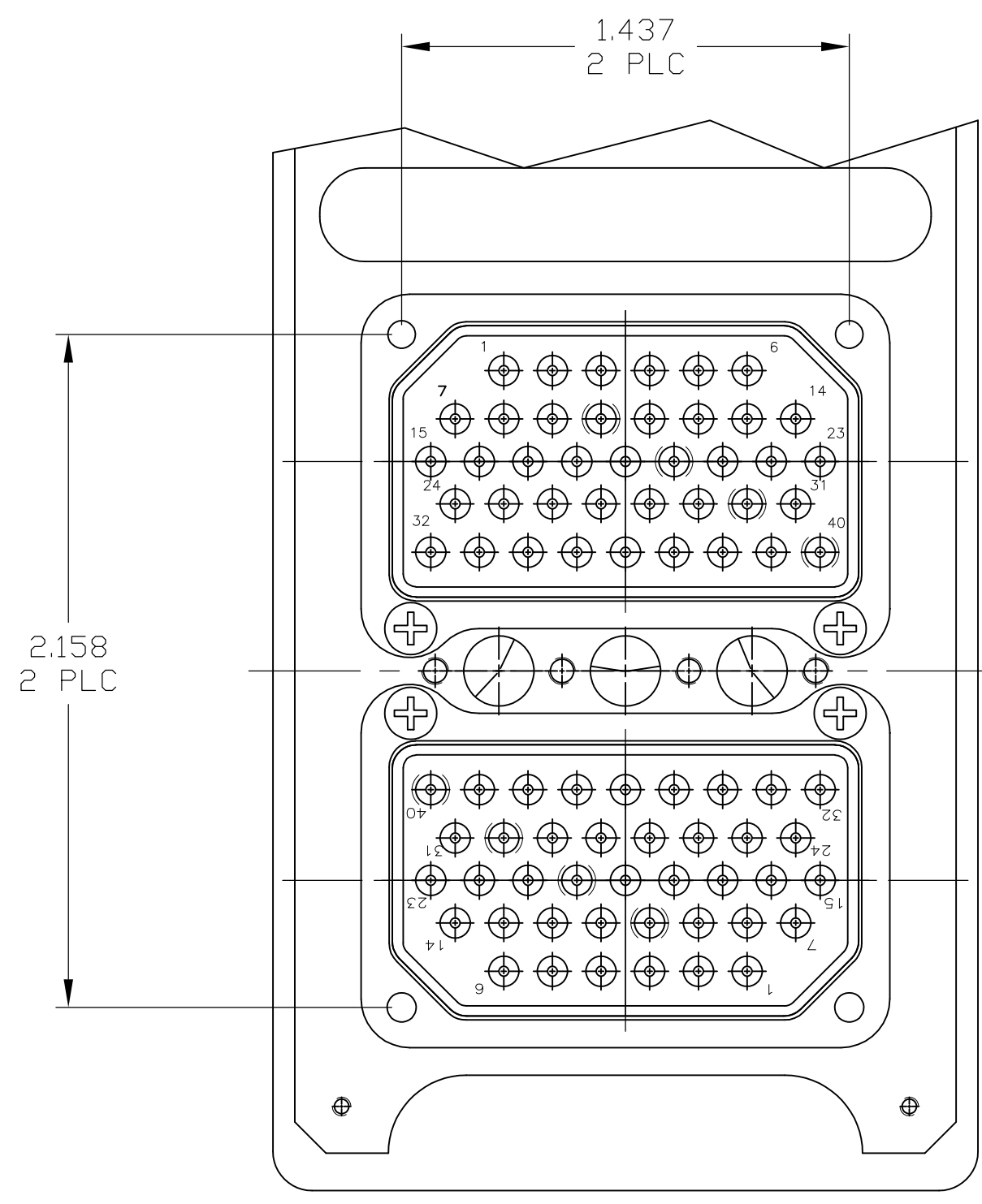
VIEW E-E
 VIEW FOR 1484897-2 ONLY
 DIMENSIONS SAME AS 1484897-1
 EXCEPT AS SHOWN
 SCALE 2:1
 SHOWN WITHOUT INSERT & PINS



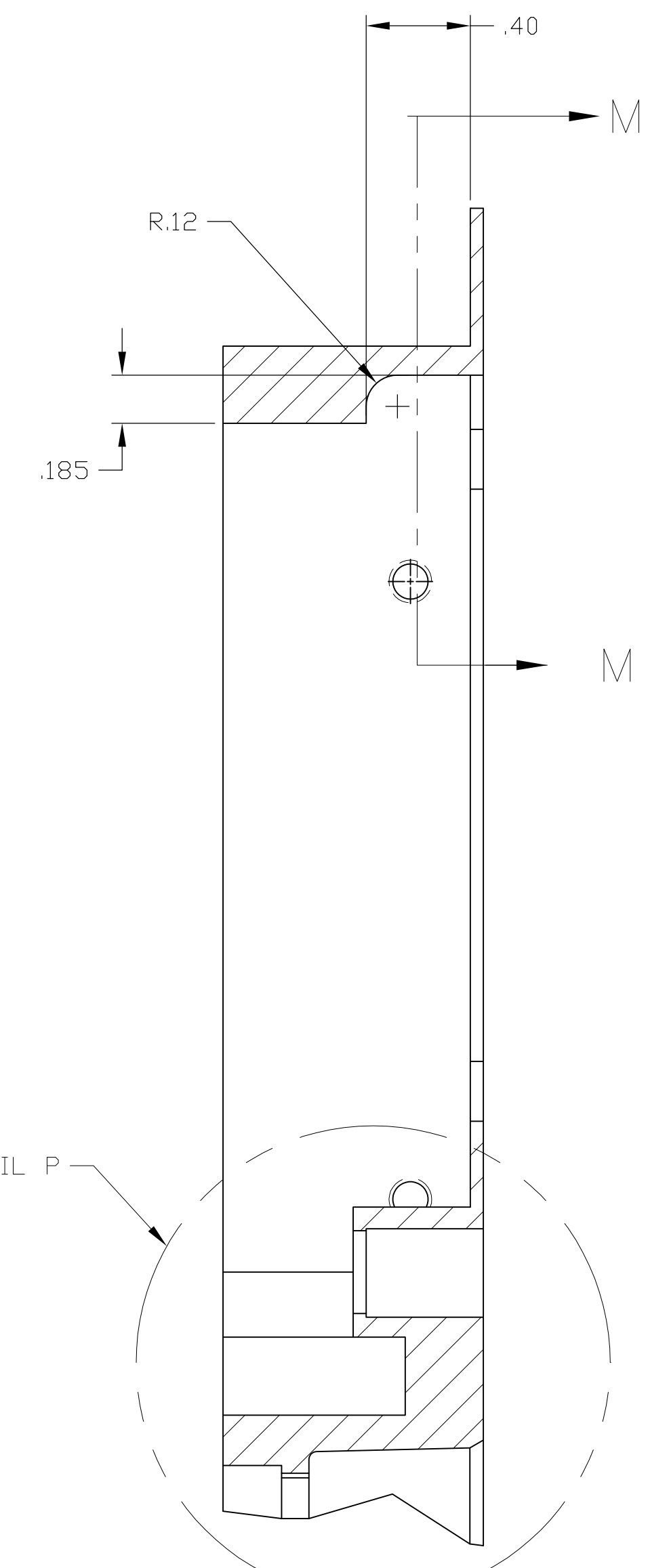
DETAIL P
 SCALE 2:1



SECTION M-M
 SCALE 2:1



DETAIL F
 SCALE 2:1



SECTION S-S
 SCALE 2:1

SEE DETAIL P

THIS DRAWING IS A CONTROLLED DOCUMENT.		DIN C.C.THOMAS 14MAY02		TE Connectivity	
DIMENSIONS: INCHES		TOLERANCES UNLESS OTHERWISE SPECIFIED:			
		0 PLC ± -	1 PLC ± -	APVD LARRY OH	
		2 PLC ± .01	3 PLC ± .005	NAME -	
		4 PLC ± -	ANGLES ± 1°	PRODUCT SPEC -	
MATERIAL SEE SHEET #1		FINISH SEE SHEET #1		APPLICATION SPEC -	
				SIZE A1	CAGE CODE 00779
				DRAWING NO. 1484843	
				RESTRICTED TO -	
				CUSTOMER DRAWING	
				SCALE 1:1	SHEET 2 OF 2
				REV J	