



Chipsmall Limited consists of a professional team with an average of over 10 year of expertise in the distribution of electronic components. Based in Hongkong, we have already established firm and mutual-benefit business relationships with customers from,Europe,America and south Asia,supplying obsolete and hard-to-find components to meet their specific needs.

With the principle of “Quality Parts,Customers Priority,Honest Operation,and Considerate Service”,our business mainly focus on the distribution of electronic components. Line cards we deal with include Microchip,ALPS,ROHM,Xilinx,Pulse,ON,Everlight and Freescale. Main products comprise IC,Modules,Potentiometer,IC Socket,Relay,Connector.Our parts cover such applications as commercial,industrial, and automotives areas.

We are looking forward to setting up business relationship with you and hope to provide you with the best service and solution. Let us make a better world for our industry!



Contact us

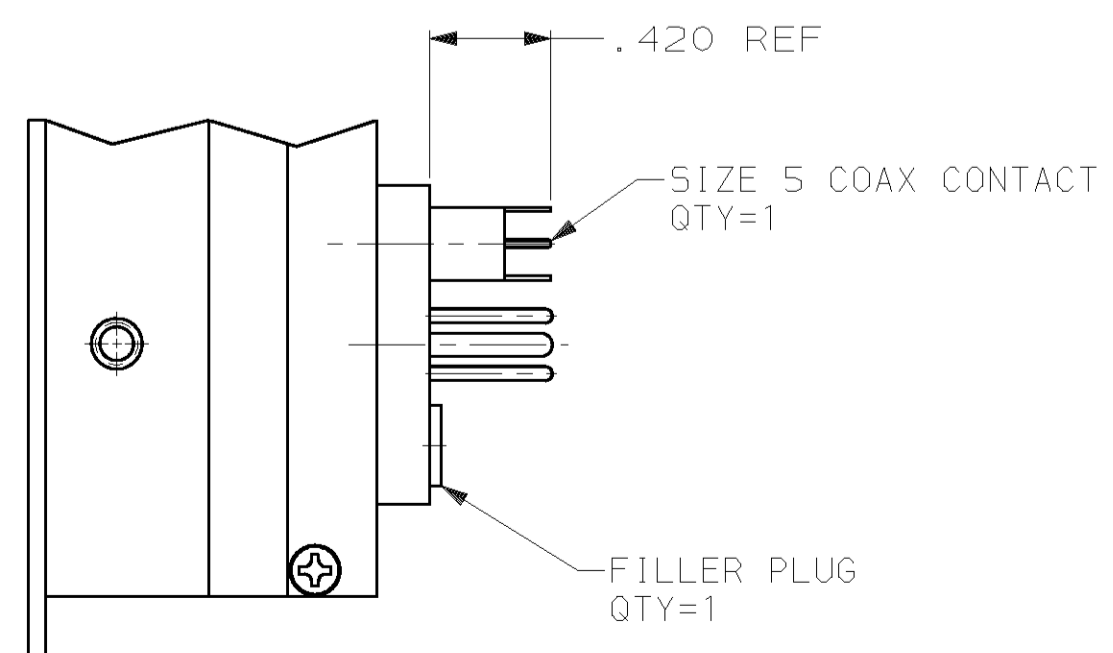
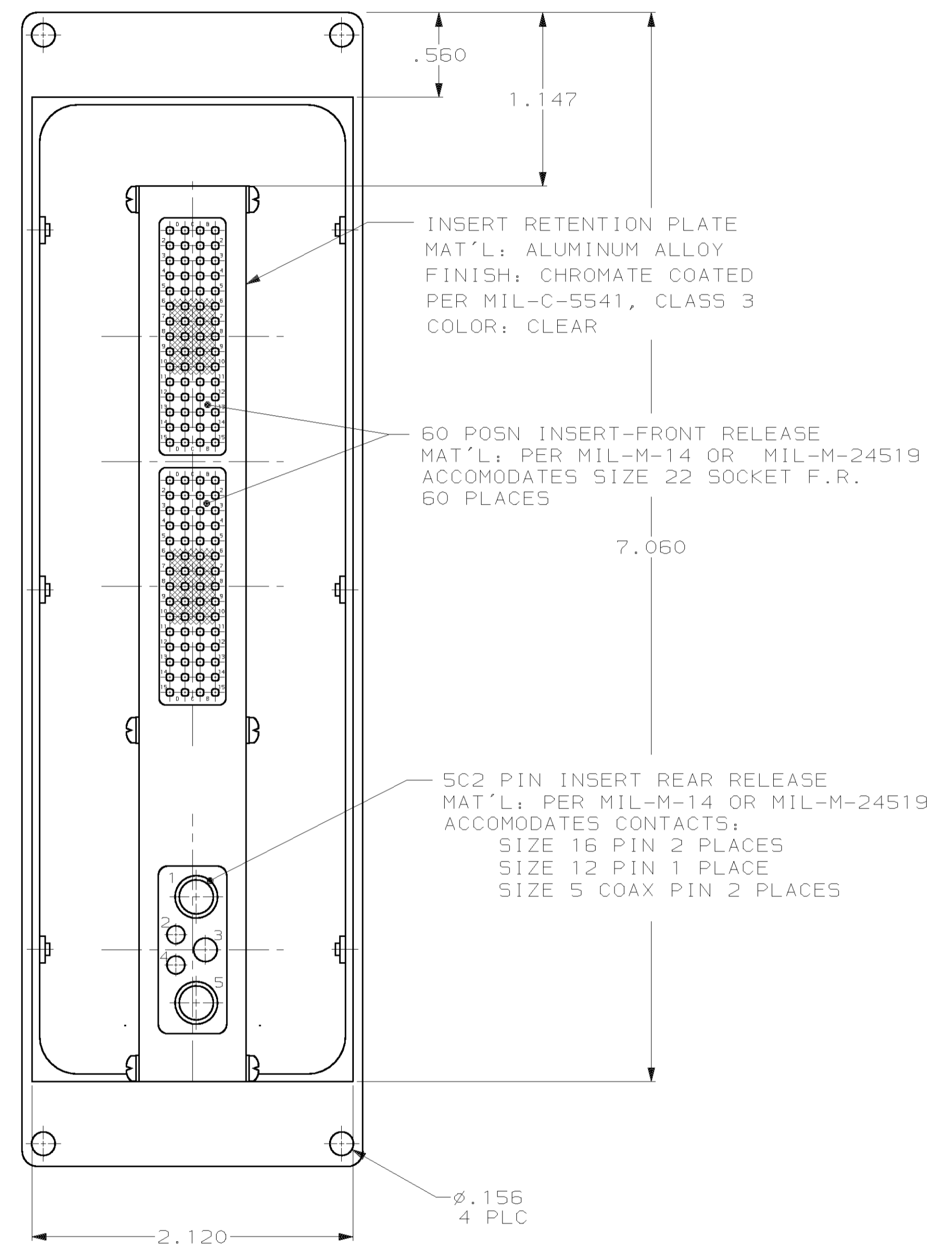
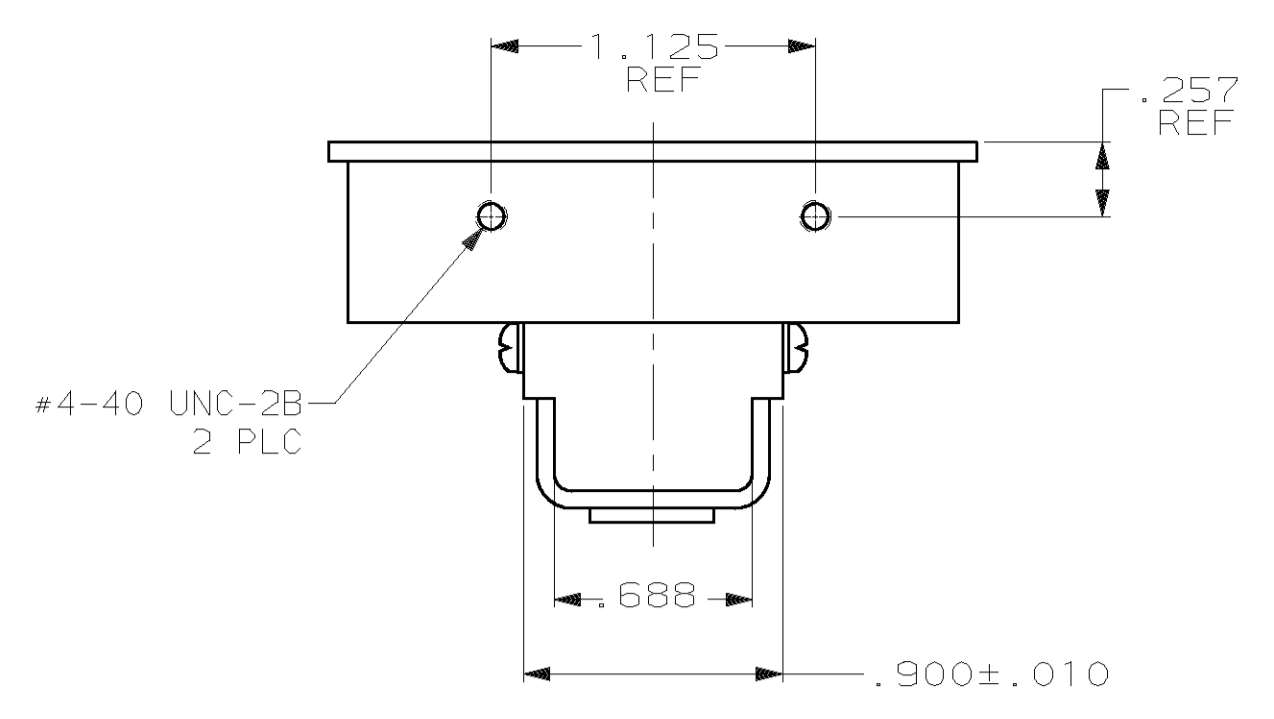
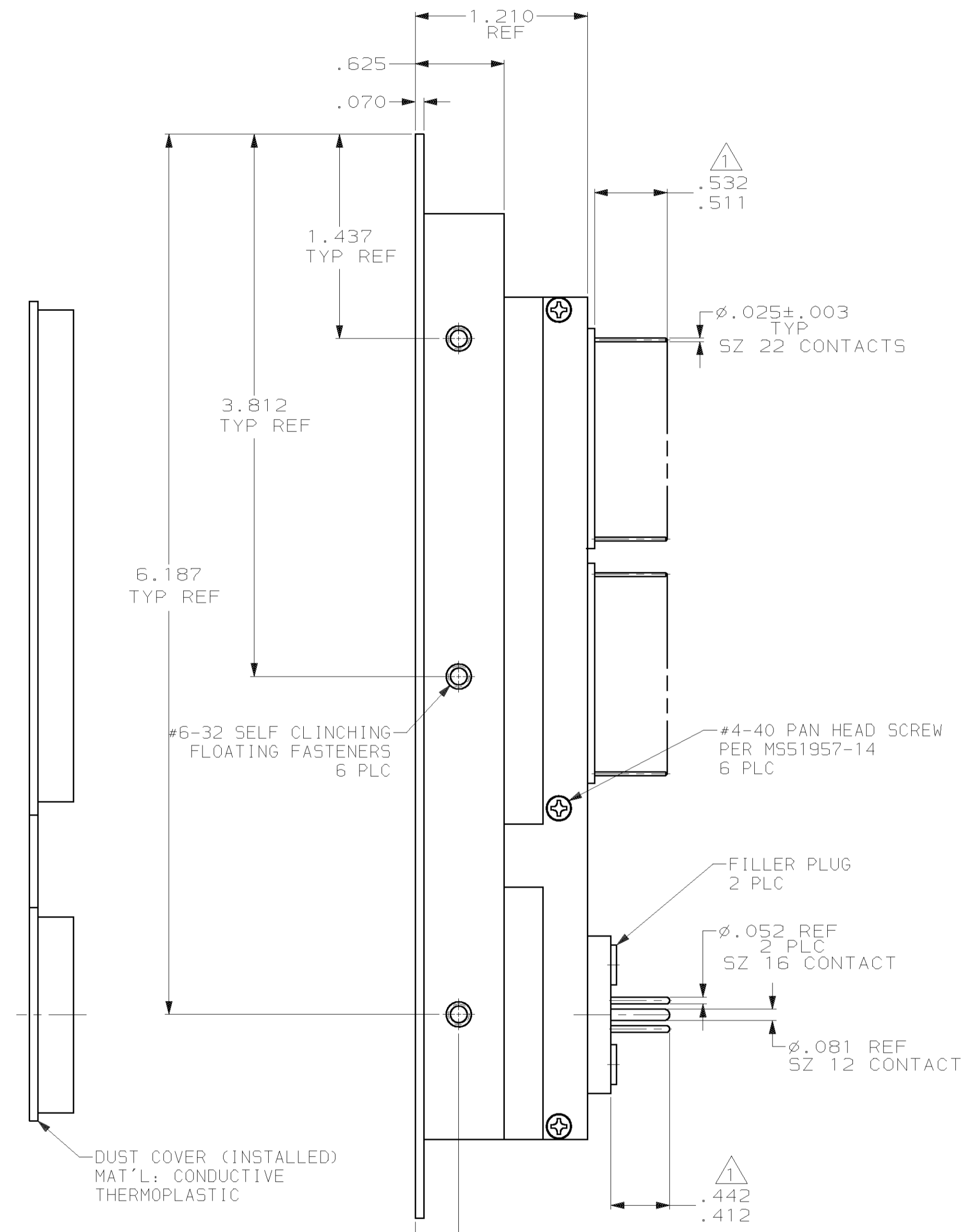
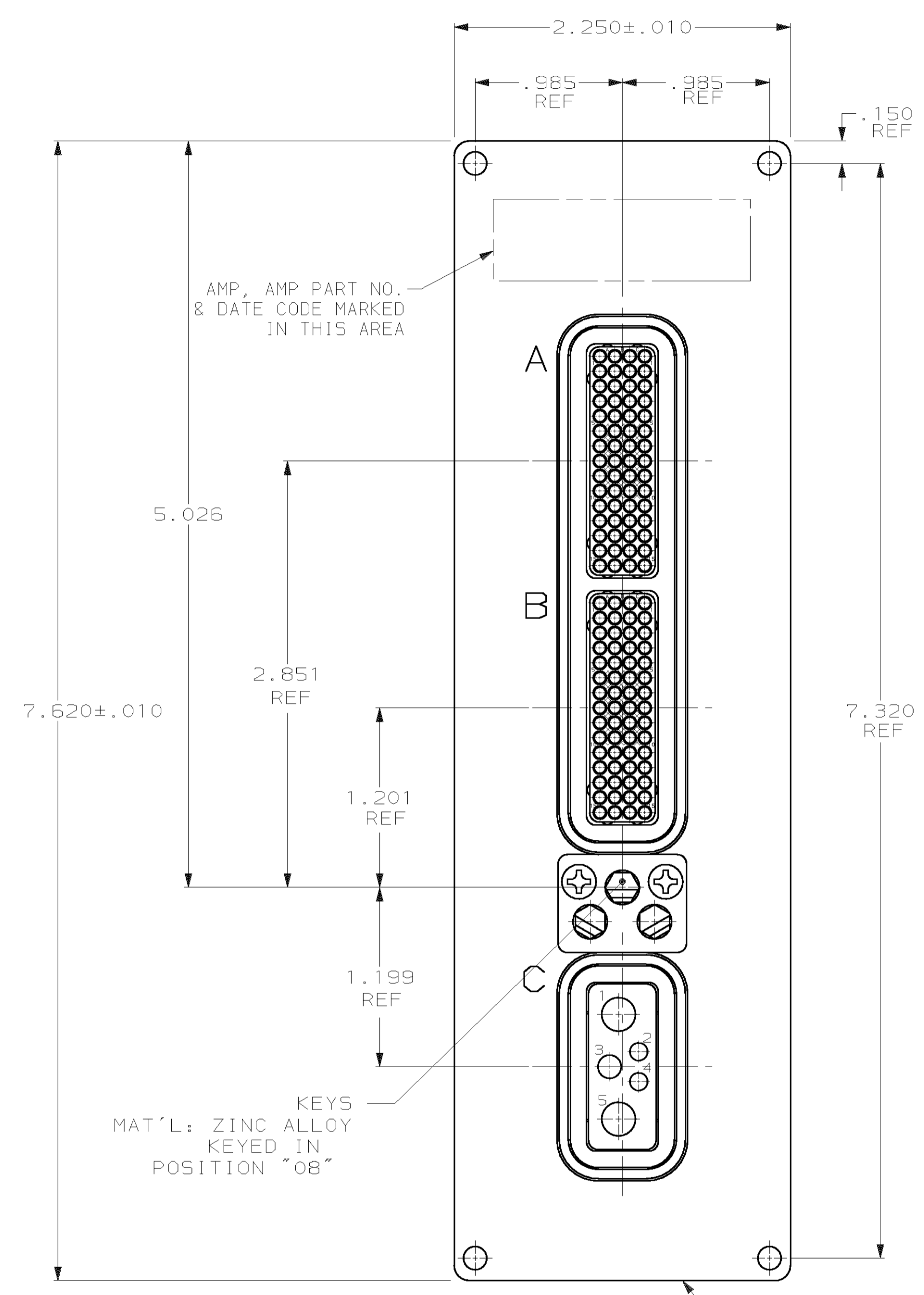
Tel: +86-755-8981 8866 Fax: +86-755-8427 6832

Email & Skype: info@chipsmall.com Web: www.chipsmall.com

Address: A1208, Overseas Decoration Building, #122 Zhenhua RD., Futian, Shenzhen, China

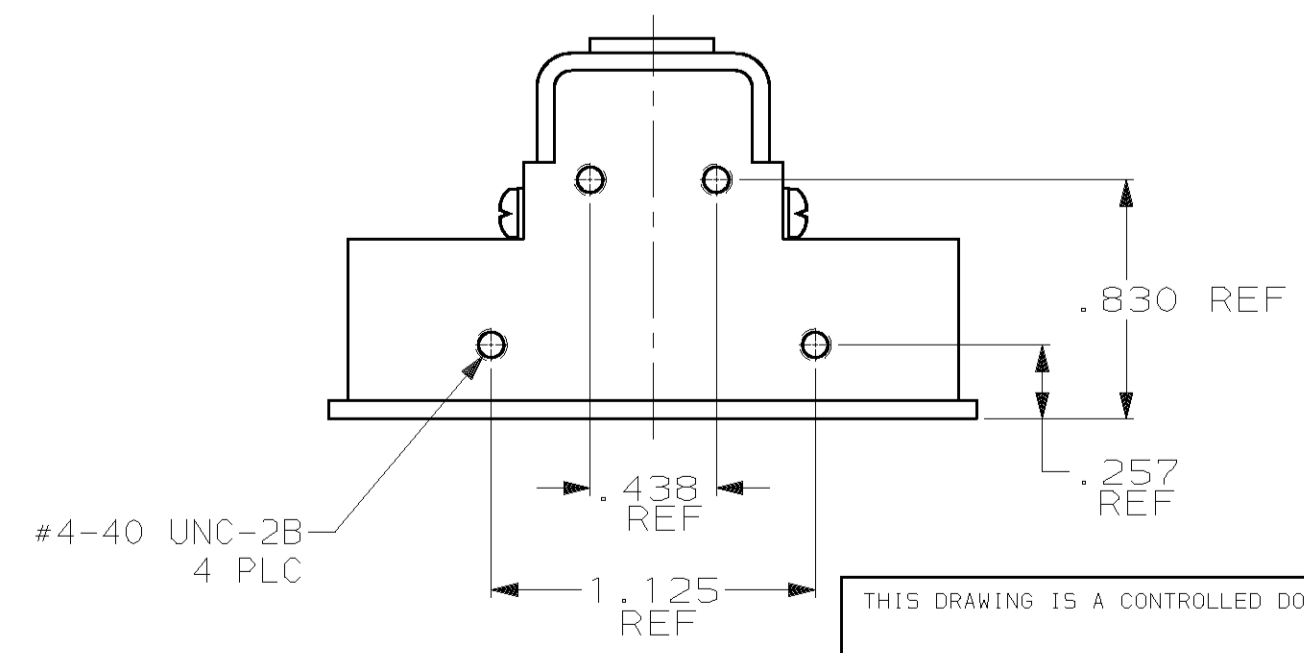


LOC	DIST	REV	DATE	APPV
DF	AO	B	1-03	CT 56



DETAIL C
1484876-2 ONLY
SAME AS -1 EXCEPT
ONE (1) SIZE 5 CONTACT
AS SHOWN

1. WITH CONTACTS FULLY SEATED TO REAR OF CAVITY.
2. CONTACT PART NUMBERS LOADED IN CONNECTOR:
 (ALL SOLDER POSTS ARE SOLDER COATED)
 SIZE 22 SOCKET CONTACT (120) AMP P/N 1-211431-6
 SIZE 16 PIN CONTACT (2) AMP P/N 1663128-3
 SIZE 12 PIN CONTACT (1) AMP P/N 1663129-3
 SIZE 5 PIN CONTACT (1) AMP P/N 1663130-2 (1484876-2 ONLY)
 SIZE 5 FILLER PLUG (2 ON -1/1 ON -2) AMP P/N 1663132-1



SEE DETAIL C	1484876-2
AS SHOWN	1484876-1
REMARKS	PART NUMBER

THIS DRAWING IS A CONTROLLED DOCUMENT.		DWN	C.C. THOMAS	5-15-02	 TYCO Electronics Harrisburg, PA 17105-3608
DIMENSIONS: INCHES (mm)		CHK	S. GLATFELTER	5-15-02	
TOLERANCES UNLESS OTHERWISE SPECIFIED:		APPV	S. GLATFELTER	5-15-02	RCPT ASSY, SIZE 1 SPECIAL, ARINC 600
0 PLC ±	1 PLC ±	MATERIAL		WEIGHT	SIZE
2 PLC ±	3 PLC ±	FINISH		SCALE	RESTRICTED TO
4 PLC ±	ANGLES ±	SEE CALLOUTS		1.5:1	1
MATERIAL		SEE CALLOUTS		CUSTOMER DRAWING	REV
SEE CALLOUTS		SEE CALLOUTS		A1	B