



Chipsmall Limited consists of a professional team with an average of over 10 year of expertise in the distribution of electronic components. Based in Hongkong, we have already established firm and mutual-benefit business relationships with customers from,Europe,America and south Asia,supplying obsolete and hard-to-find components to meet their specific needs.

With the principle of “Quality Parts,Customers Priority,Honest Operation,and Considerate Service”,our business mainly focus on the distribution of electronic components. Line cards we deal with include Microchip,ALPS,ROHM,Xilinx,Pulse,ON,Everlight and Freescale. Main products comprise IC,Modules,Potentiometer,IC Socket,Relay,Connector.Our parts cover such applications as commercial,industrial, and automotives areas.

We are looking forward to setting up business relationship with you and hope to provide you with the best service and solution. Let us make a better world for our industry!



Contact us

Tel: +86-755-8981 8866 Fax: +86-755-8427 6832

Email & Skype: info@chipsmall.com Web: www.chipsmall.com

Address: A1208, Overseas Decoration Building, #122 Zhenhua RD., Futian, Shenzhen, China

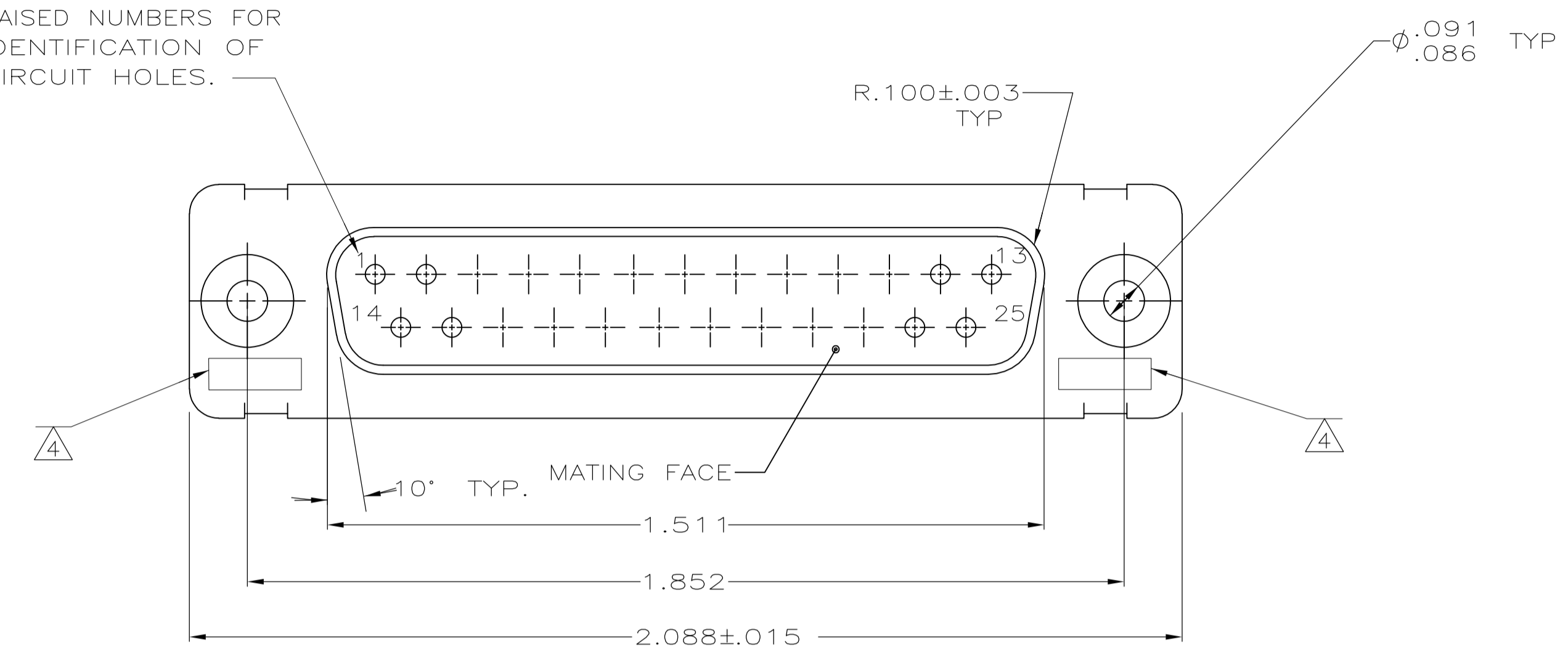


REVISONS		DATE	DWN	APVD
REV	DESCRIPTION			
B	REV PER ECO 15-005907	5-18-15	CT	DM

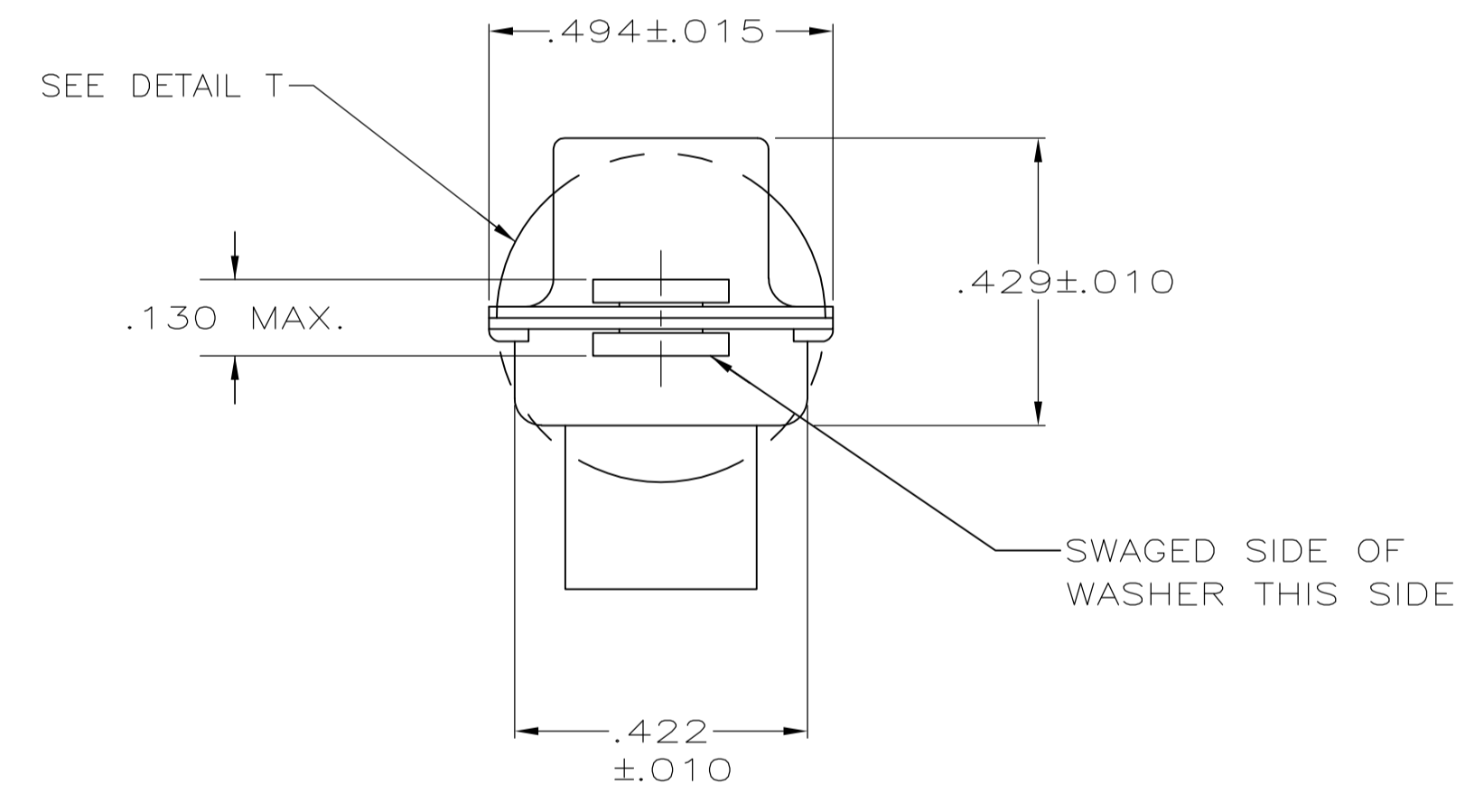
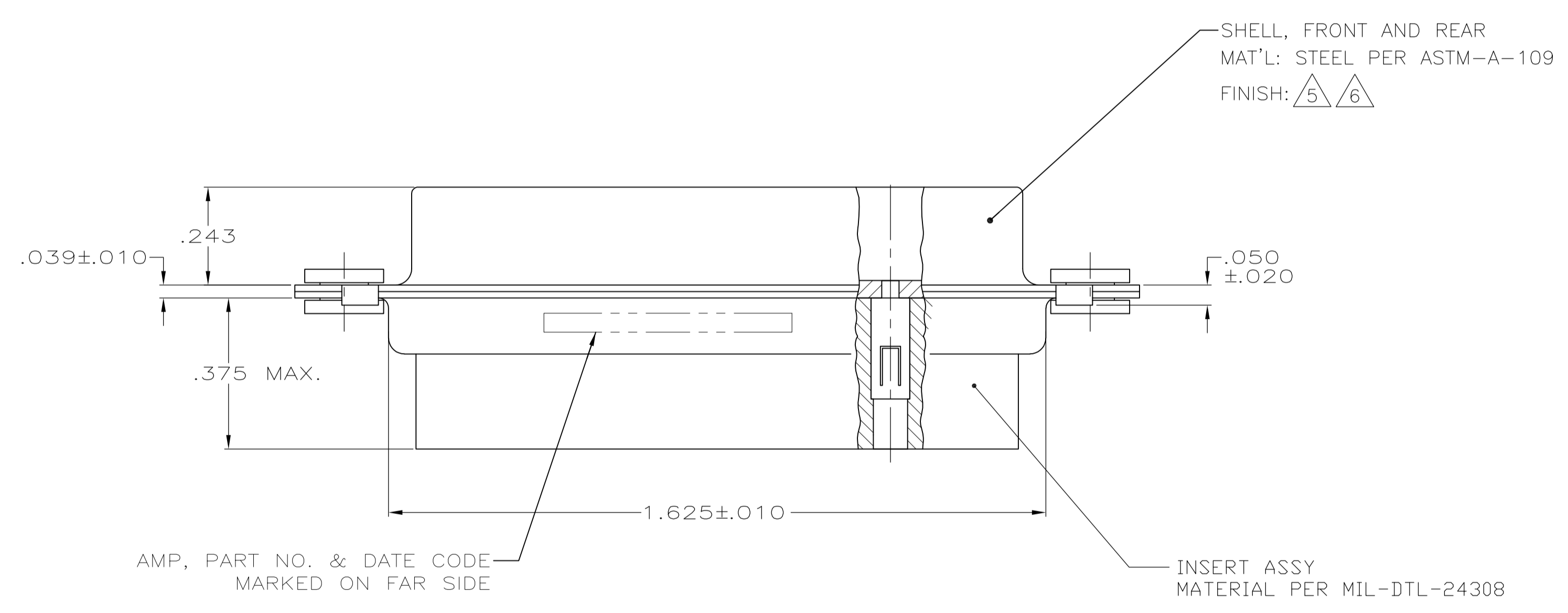
1. MAXIMUM WIRE INSULATION TO BE USED WITH THIS PLUG IS .068 DIA.
2. STAINLESS STEEL RETENTION CLIPS ARE INCLUDED IN INSERTS.
3. THIS PLUG WILL ACCEPT SIZE 20 PIN CONTACT M39029/64-369 OR AMP PART NUMBER 205089-1.

- 4. UL/CSA DESIGNATION MARKED IN THIS AREA, OPTIONAL
- 5. FINISH: CADMIUM PER QQ-P-416
- 6. FINISH: ZINC PLATED PER ASTM-B-633, .000200-.000400 THK WITH SUPPLEMENTARY CHROMATE (Cr3+)

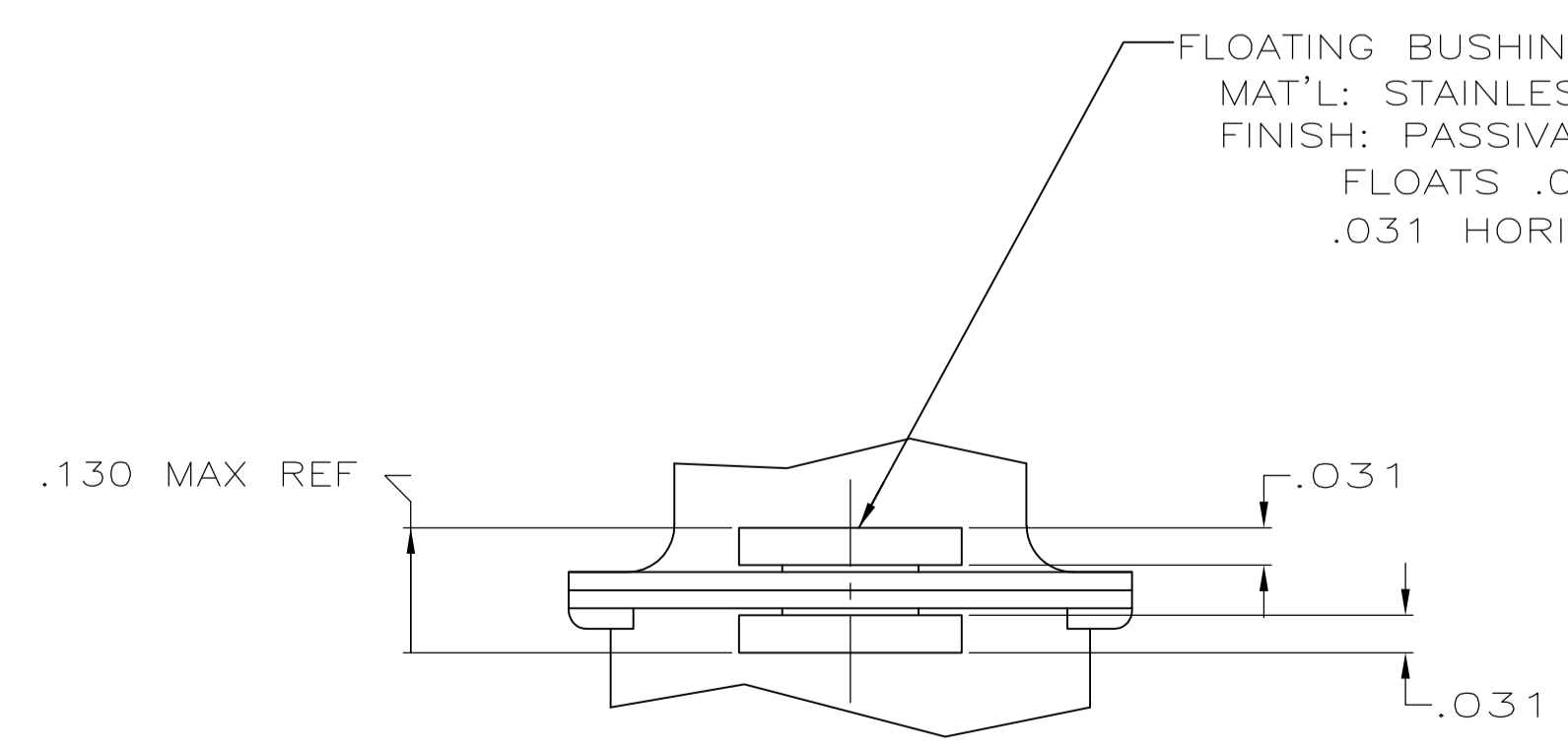
RAISED NUMBERS FOR IDENTIFICATION OF CIRCUIT HOLES.



SHELL, FRONT AND REAR
 MAT'L: STEEL PER ASTM-A-109
 FINISH: 5 6



FLOATING BUSHING/WASHER, 2 REQ'D
 MAT'L: STAINLESS STEEL PER ASTM-A-582
 FINISH: PASSIVATED PER QQ-P-358
 FLOATS .008±.004 VERTICALLY & .031 HORIZONTALLY



DETAIL T
 SCALE 6:1

PLATED PER 6	5-1484949-1
PLATED PER 5	1484949-1
DESCRIPTION	PART NUMBER

THIS DRAWING IS A CONTROLLED DOCUMENT.

DIMENSIONS: INCHES	TOLERANCES UNLESS OTHERWISE SPECIFIED:	DIN C.C.THOMAS 8-28-02	CHK D.MILLER 8-28-02	APVD D.MILLER 8-28-02	NAME
0 PLC ± -	1 PLC ± -	2 PLC ± -	3 PLC ± .005	4 PLC ± -	ANGLES ± # 0° 30'
MATERIAL SEE CALLOUTS	FINISH SEE CALLOUTS	WEIGHT	SIZE A1	SCALE 4:1	SHEET 1 OF 1

STE TE Connectivity
 RCPT. ASSEMBLY,AMPLIMITE 25 POSN,SIZE 3, SERIES 109 BLINDMATE, REVERSE GENDER
 DRAWING NO. 1484951
 CUSTOMER DRAWING