



Chipsmall Limited consists of a professional team with an average of over 10 year of expertise in the distribution of electronic components. Based in Hongkong, we have already established firm and mutual-benefit business relationships with customers from,Europe,America and south Asia,supplying obsolete and hard-to-find components to meet their specific needs.

With the principle of “Quality Parts,Customers Priority,Honest Operation,and Considerate Service”,our business mainly focus on the distribution of electronic components. Line cards we deal with include Microchip,ALPS,ROHM,Xilinx,Pulse,ON,Everlight and Freescale. Main products comprise IC,Modules,Potentiometer,IC Socket,Relay,Connector.Our parts cover such applications as commercial,industrial, and automotives areas.

We are looking forward to setting up business relationship with you and hope to provide you with the best service and solution. Let us make a better world for our industry!



Contact us

Tel: +86-755-8981 8866 Fax: +86-755-8427 6832

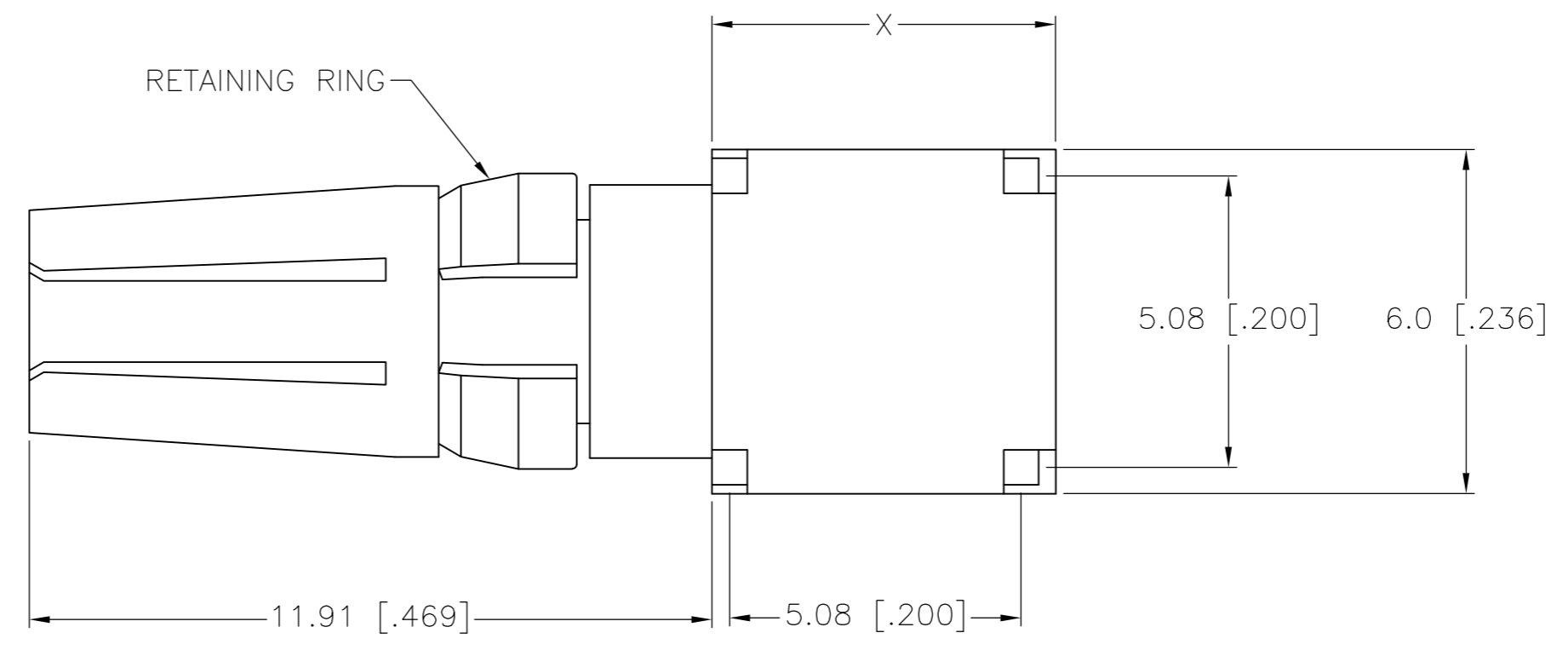
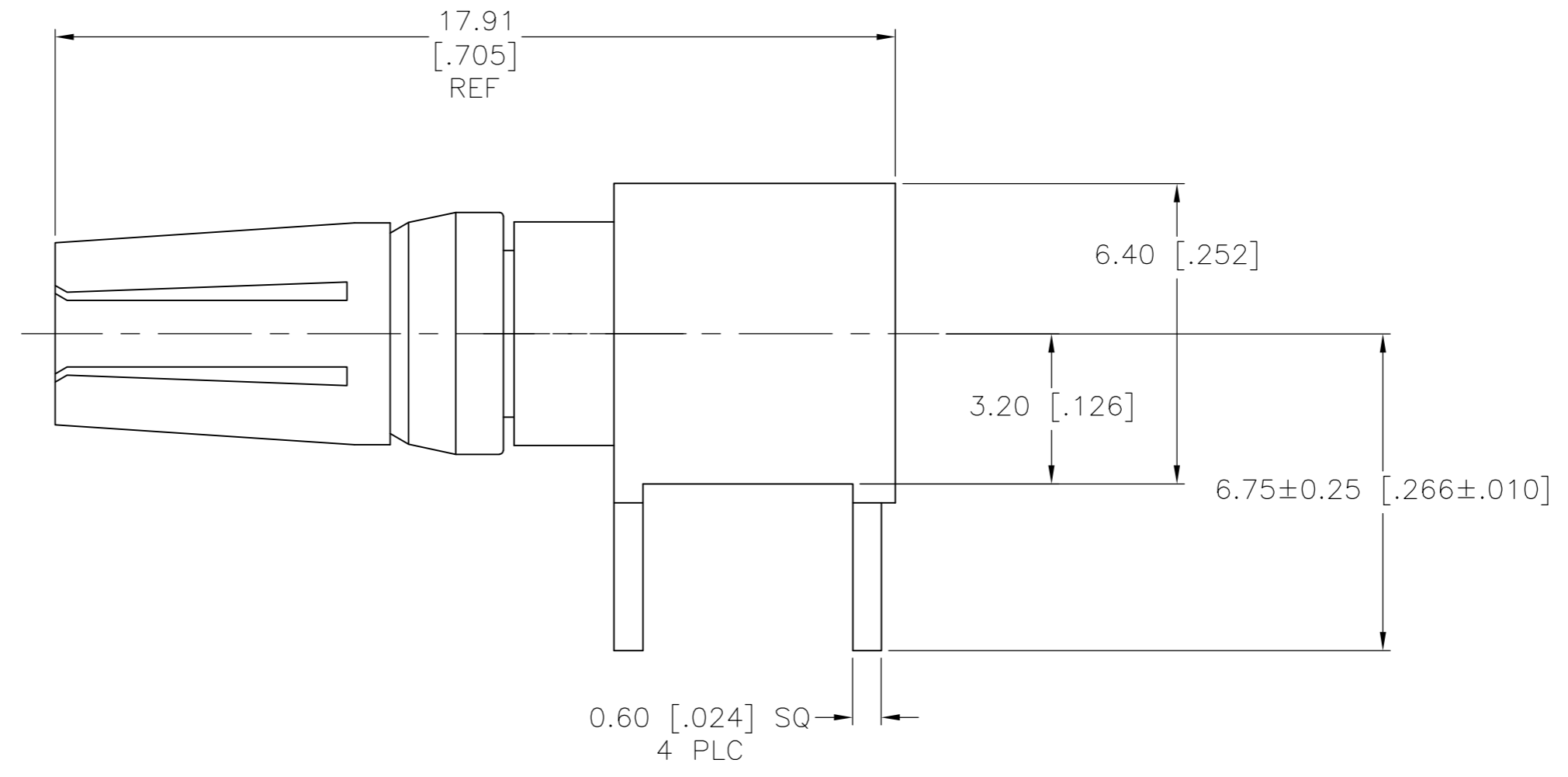
Email & Skype: info@chipsmall.com Web: www.chipsmall.com

Address: A1208, Overseas Decoration Building, #122 Zhenhua RD., Futian, Shenzhen, China



THIS DRAWING IS UNPUBLISHED. RELEASED FOR PUBLICATION
 © COPYRIGHT BY TYCO ELECTRONICS CORPORATION. ALL RIGHTS RESERVED.

| LOC | | DIST | | REVISIONS | | | |
|-----|-----|-------------------------|--|-----------|-----|------|--|
| P | LTR | DESCRIPTION | | DATE | DWN | APVD | |
| | F | REV PER EC 0512-0302-05 | | 05DEC05 | BC | GS | |
| | G | ECR-10-019054 | | 15SEP10 | DP | MQW | |



- 1 SUITABLE FOR FEMALE TYPE M CONNECTORS.
- 2 CONTACT SPRING: BERYLLIUM COPPER.
CONTACT BODY: BRASS.
RETAINING RING: BERYLLIUM COPPER.
- 3 CONTACT FINISH: 0.00127[.000050] MIN GOLD IN CONTACT AREA,
0.00254[.000100] MIN TIN/LEAD IN AREA "X", ALL OVER
0.00127[.000050] NICKEL.
- 4 CONTACT FINISH: 0.00076[.000030] MIN GOLD IN CONTACT AREA,
0.00254[.000100] MIN TIN/LEAD IN AREA "X", ALL OVER
0.00127[.000050] NICKEL.

| | | |
|----------|--------|-------------|
| OBSOLETE | 4 | 148513-2 |
| | 3 | 148513-1 |
| | FINISH | PART NUMBER |

| | | | | |
|--|--|-----------------------|---|--|
| THIS DRAWING IS A CONTROLLED DOCUMENT. | | DWN B.CARBO 05DEC05 | Tyco Electronics Corporation Harrisburg, PA 17105-3608 | |
| DIMENSIONS: mm [INCHES] | | CHK A.SHARPE 05DEC05 | NAME POWER CONTACT, EUROCARD TYPE M, FEMALE 90', PRINTED CIRCUIT BOARD MOUNT | |
| TOLERANCES UNLESS OTHERWISE SPECIFIED: | | APVD A.SHARPE 05DEC05 | SIZE A2 CAGE CODE 00779 C=148513 | |
| 6-PLC ± | | PRODUCT SPEC | DRAWING NO | |
| 1-PLC ± | | APPLICATION SPEC | RESTRICTED TO | |
| 2-PLC ± ±0.2 | | WEIGHT | SCALE 8:1 SHEET 1 of 1 REV G | |
| 3-PLC ± | | FINISH | CUSTOMER DRAWING | |
| 4-PLC ± | | SEE TABLE | | |
| ANGLES ± | | | | |