



Chipsmall Limited consists of a professional team with an average of over 10 year of expertise in the distribution of electronic components. Based in Hongkong, we have already established firm and mutual-benefit business relationships with customers from,Europe,America and south Asia,supplying obsolete and hard-to-find components to meet their specific needs.

With the principle of “Quality Parts,Customers Priority,Honest Operation,and Considerate Service”,our business mainly focus on the distribution of electronic components. Line cards we deal with include Microchip,ALPS,ROHM,Xilinx,Pulse,ON,Everlight and Freescale. Main products comprise IC,Modules,Potentiometer,IC Socket,Relay,Connector.Our parts cover such applications as commercial,industrial, and automotives areas.

We are looking forward to setting up business relationship with you and hope to provide you with the best service and solution. Let us make a better world for our industry!



## Contact us

Tel: +86-755-8981 8866 Fax: +86-755-8427 6832

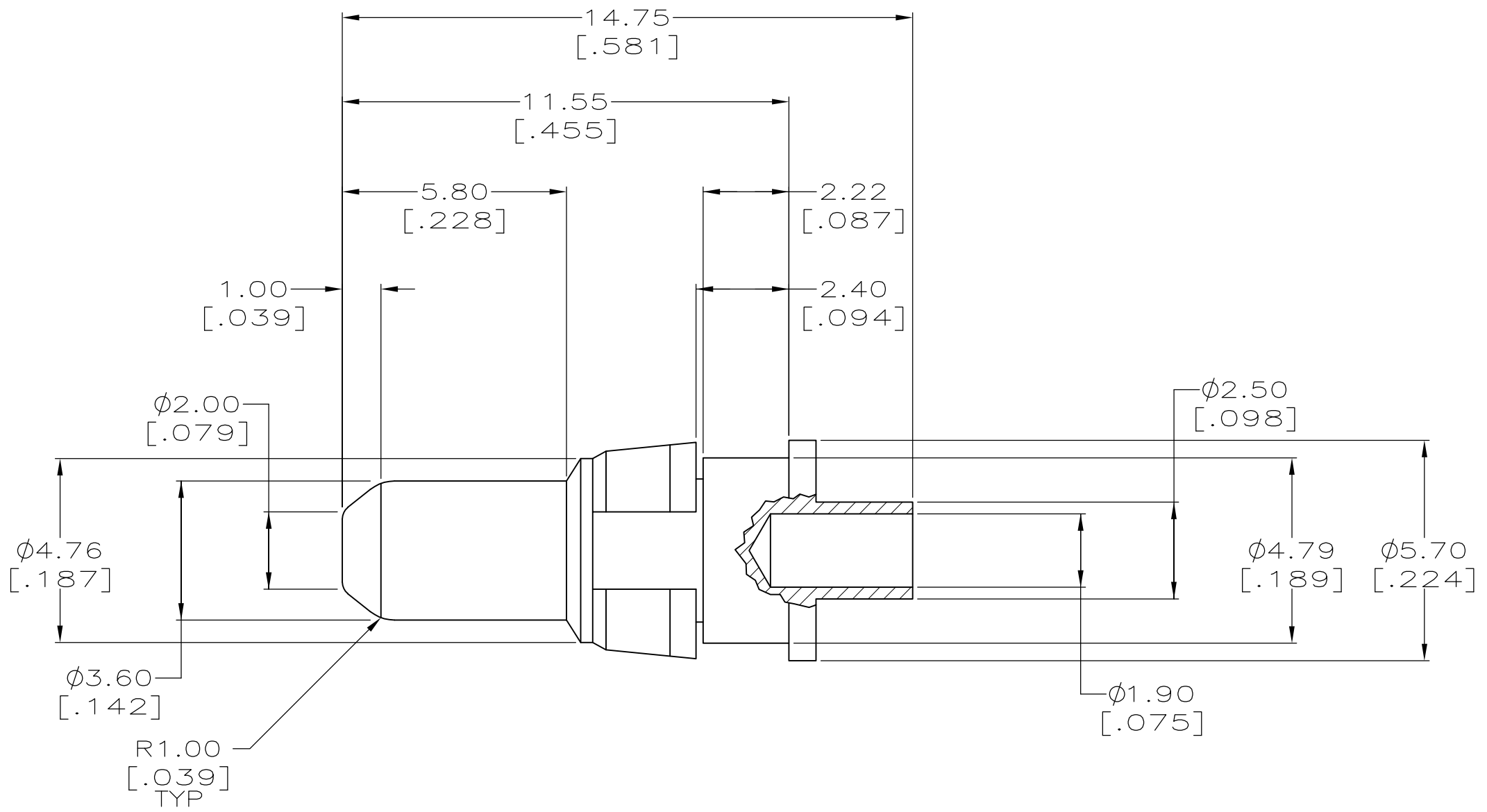
Email & Skype: info@chipsmall.com Web: www.chipsmall.com

Address: A1208, Overseas Decoration Building, #122 Zhenhua RD., Futian, Shenzhen, China



THIS DRAWING IS UNPUBLISHED. RELEASED FOR PUBLICATION  
 © COPYRIGHT BY TYCO ELECTRONICS CORPORATION. ALL RIGHTS RESERVED.

LOC	DIST	REVISIONS			
P	LTR	DESCRIPTION	DATE	DWN	APVD
AD	00				
	B	REV PER EC 0S12-0302-05	05DEC05	BC	GS
	C	ECR-10-019054	15SEP10	DP	MQW



1 CONTACT: BRASS.  
 RETAINING RING: BERYLLIUM COPPER.

2 CONTACT: 0.76 μm [.000030] MIN GOLD  
 OVER 1.27 μm [.000050] MIN NICKEL.

148533-1  
 PART NUMBER

THIS DRAWING IS A CONTROLLED DOCUMENT.		DWN B.CARBO 03 JUN 99	Tyco Electronics Corporation Harrisburg, PA 17105-3608
DIMENSIONS: mm [INCHES]		CHK C.RICHARD 03 JUN 99	
		APVD C.RICHARD 03 JUN 99	
TOLERANCES UNLESS OTHERWISE SPECIFIED:		PRODUCT SPEC	NAME POWER CONTACT, MALE, SHORT CUP, (10 AMP)
0-PLC ± ±0.2 1-PLC ± ±0.2 2-PLC ± 0.13 [.005] 3-PLC ± ±0.2 4-PLC ± ±0.2 ANGLES ± ±0.2		APPLICATION SPEC	SIZE A3 CAGE CODE 00779 DRAWING NO C-148533 RESTRICTED TO
MATERIAL 1	FINISH 2	WEIGHT -	
CUSTOMER DRAWING			SCALE 8:1 SHEET 1 OF 1 REV C