



Chipsmall Limited consists of a professional team with an average of over 10 year of expertise in the distribution of electronic components. Based in Hongkong, we have already established firm and mutual-benefit business relationships with customers from,Europe,America and south Asia,supplying obsolete and hard-to-find components to meet their specific needs.

With the principle of “Quality Parts,Customers Priority,Honest Operation,and Considerate Service”,our business mainly focus on the distribution of electronic components. Line cards we deal with include Microchip,ALPS,ROHM,Xilinx,Pulse,ON,Everlight and Freescale. Main products comprise IC,Modules,Potentiometer,IC Socket,Relay,Connector.Our parts cover such applications as commercial,industrial, and automotives areas.

We are looking forward to setting up business relationship with you and hope to provide you with the best service and solution. Let us make a better world for our industry!



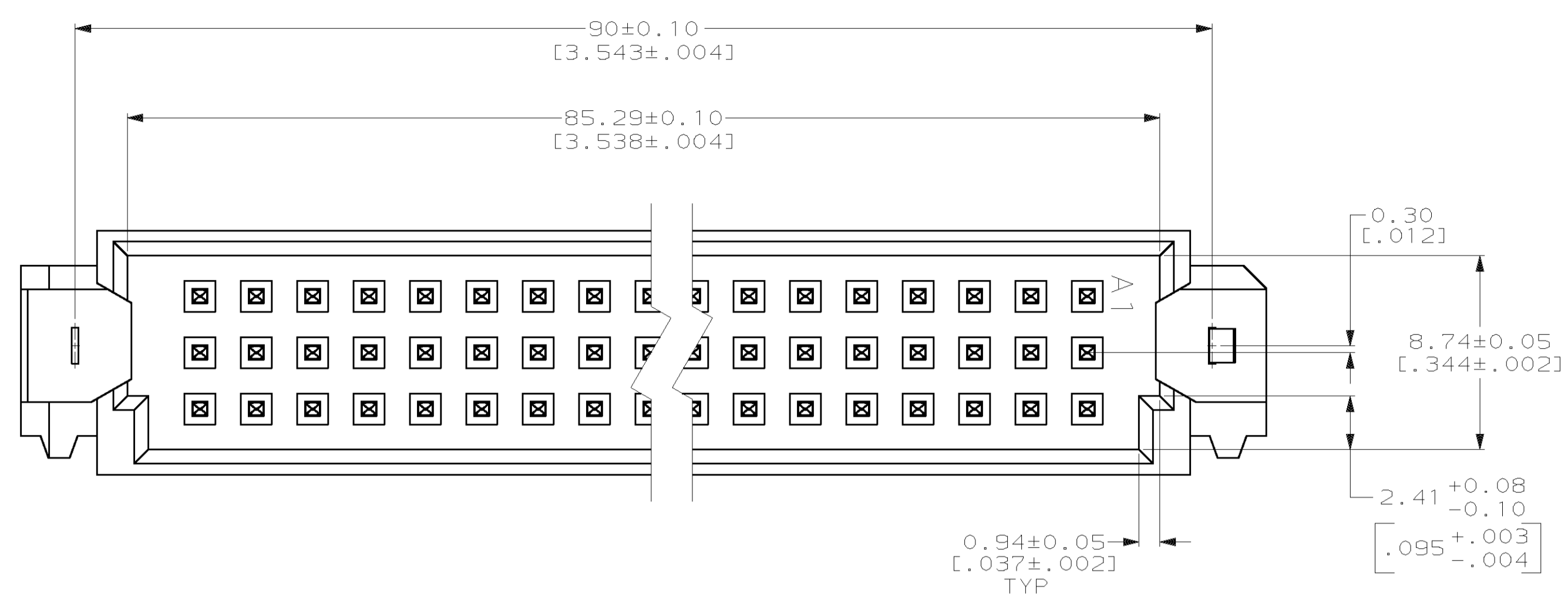
## Contact us

Tel: +86-755-8981 8866 Fax: +86-755-8427 6832

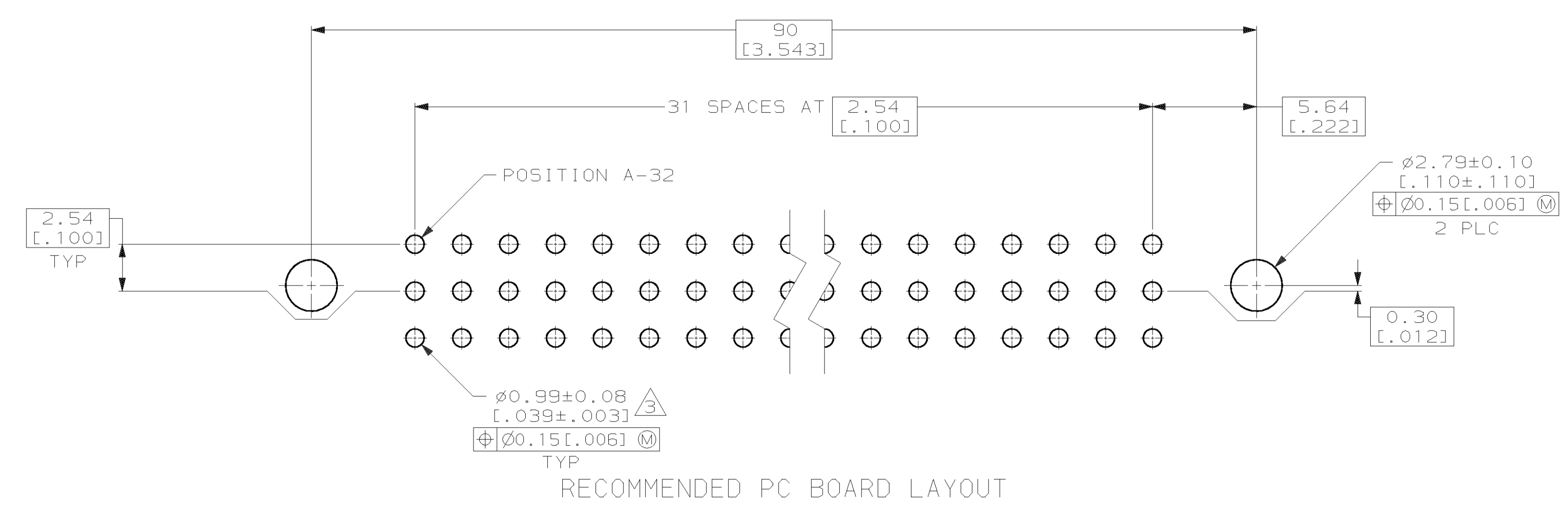
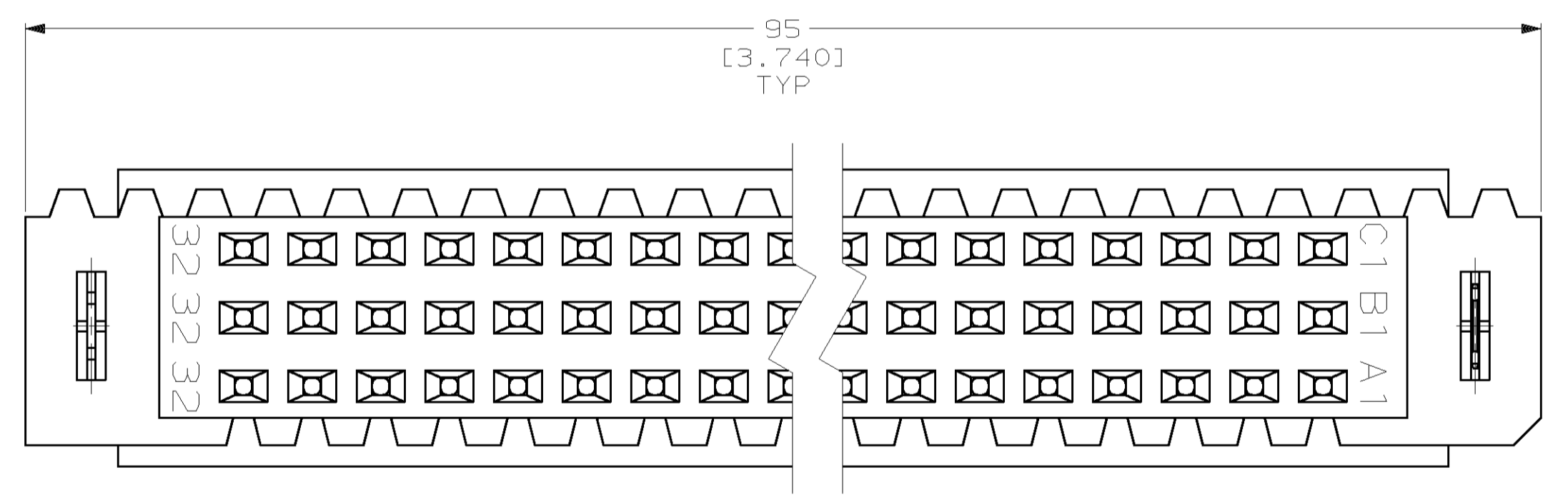
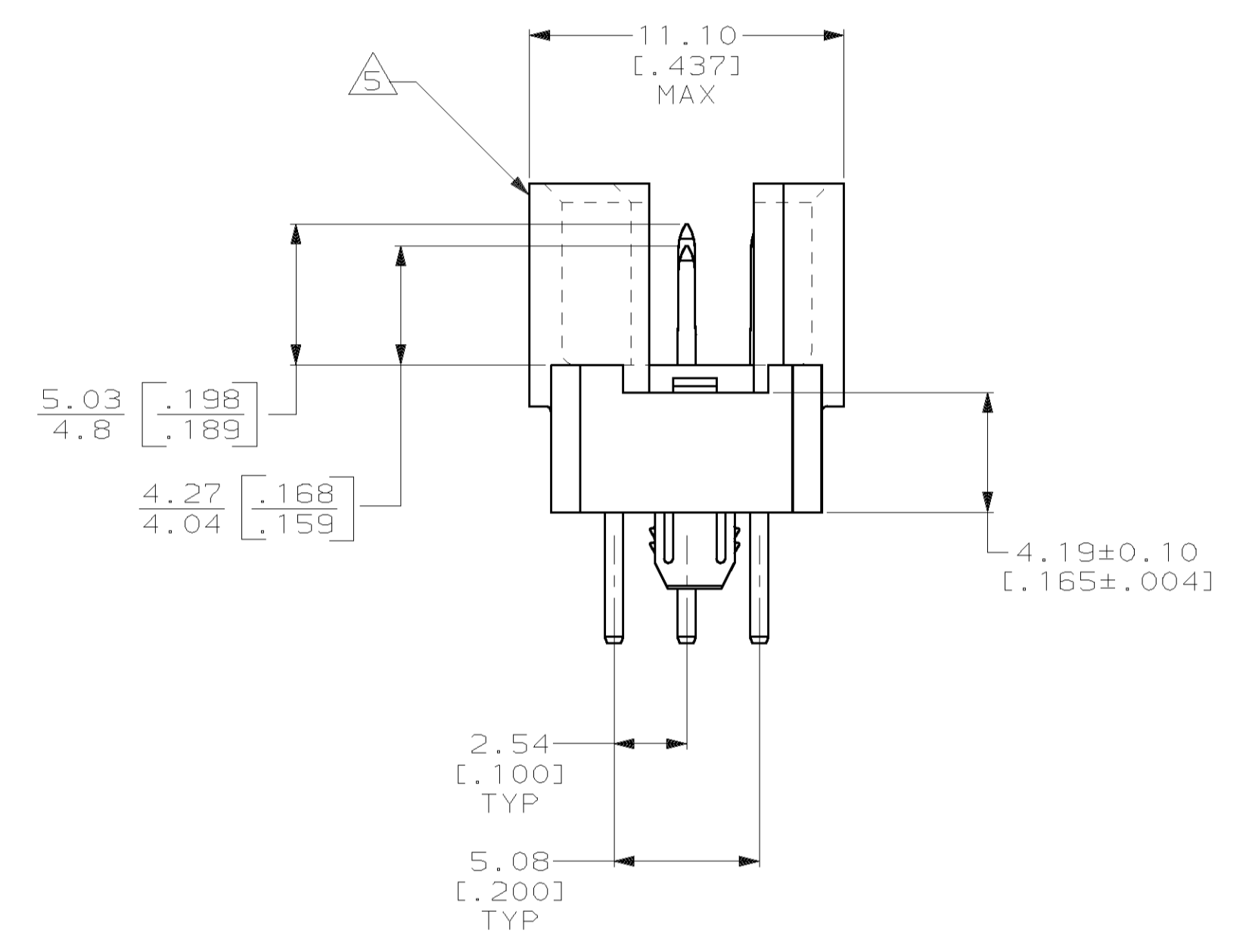
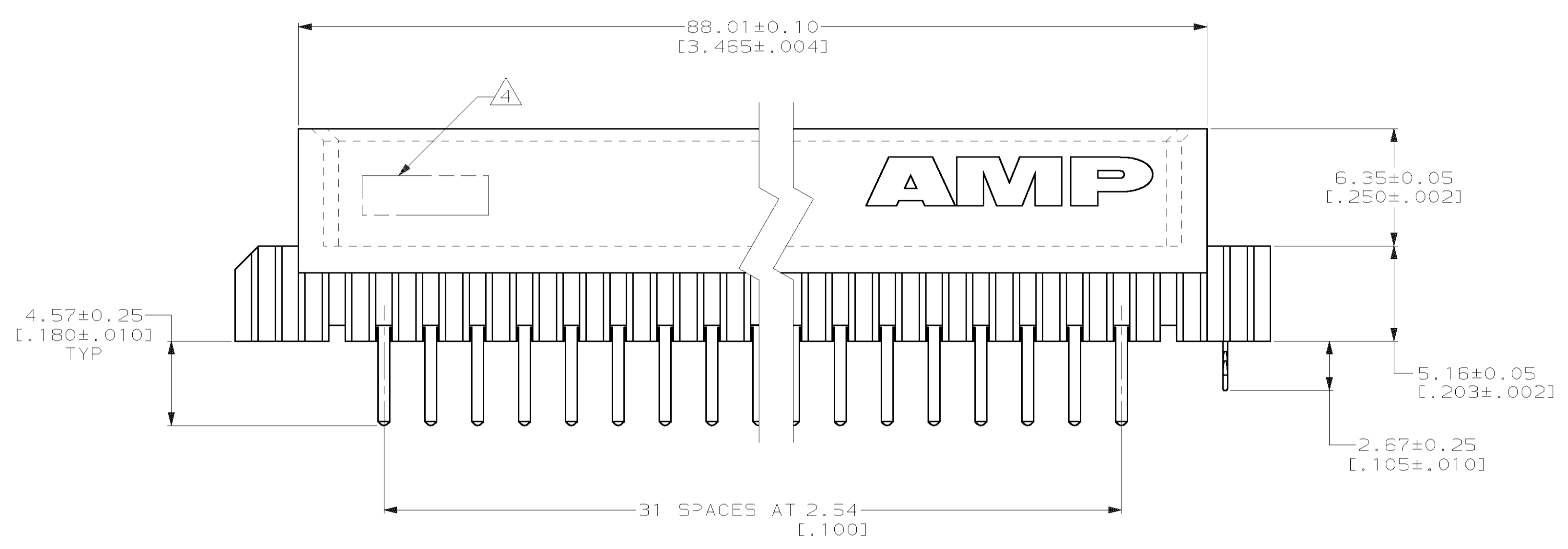
Email & Skype: info@chipsmall.com Web: www.chipsmall.com

Address: A1208, Overseas Decoration Building, #122 Zhenhua RD., Futian, Shenzhen, China





- ① HOUSING: GLASS-FILLED POLYESTER, GRAY.  
POST: BRASS.  
BOARDLOCK: BERYLLIUM COPPPER.
- ② POST: DIN 41612 CLASS 2 IN CONTACT AREA, TIN-LEAD PLATE ON POSTS.  
BOARDLOCK: 3.81µm[.000150] MIN TIN-LEAD ALL OVER 1.27µm[.000050] MIN NICKEL.
- ③ RECOMMENDED HOLE SIZE FOR MANUAL APPLICATION OF CONNECTOR ONTO PC BOARD.
- ④ [PART NUMBER, DATE CODE] MARKED THIS APPROXIMATE AREA.
- ⑤ MARKING ON THIS SIDE.



1, 32	2-31	C	32	148537-1
1, 32	2-31	B	32	
1, 32	2-31	A	32	
POSITIONS LOADED WITH 4.93[.194] CONTACTS	POSITIONS LOADED WITH 4.16[.164] CONTACTS	ROWS	NO OF LOADED POSITION	PART NUMBER

THIS DRAWING IS A CONTROLLED DOCUMENT.

DIMENSIONS: mm (INCHES)	TOLERANCES UNLESS OTHERWISE SPECIFIED:	DWN B. CARBO 08 JUN 99	AMP Incorporated Harrisburg, PA 17105-3608
0 PLC ±	1 PLC ±	CHK C. RICHARD 08 JUN 99	NAME: PIN ASSEMBLY, EUROCARD, TYPE "R" WITH MFBL CONTACTS AND BOARDLOCK
2 PLC ±	3 PLC ±	APVD C. RICHARD 08 JUN 99	
4 PLC ±	ANGLES ±	PRODUCT SPEC	SIZE: A1
MATERIAL	FINISH	APPLICATION SPEC	SCALE: 5:1
		WEIGHT	SHEET 1 OF 1
		CUSTOMER DRAWING	REV 0