



Chipsmall Limited consists of a professional team with an average of over 10 year of expertise in the distribution of electronic components. Based in Hongkong, we have already established firm and mutual-benefit business relationships with customers from,Europe,America and south Asia,supplying obsolete and hard-to-find components to meet their specific needs.

With the principle of “Quality Parts,Customers Priority,Honest Operation,and Considerate Service”,our business mainly focus on the distribution of electronic components. Line cards we deal with include Microchip,ALPS,ROHM,Xilinx,Pulse,ON,Everlight and Freescale. Main products comprise IC,Modules,Potentiometer,IC Socket,Relay,Connector.Our parts cover such applications as commercial,industrial, and automotives areas.

We are looking forward to setting up business relationship with you and hope to provide you with the best service and solution. Let us make a better world for our industry!



Contact us

Tel: +86-755-8981 8866 Fax: +86-755-8427 6832

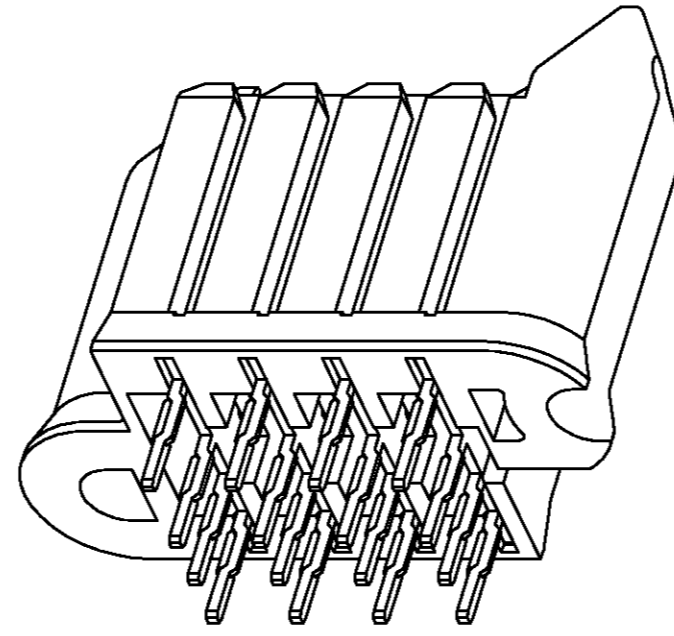
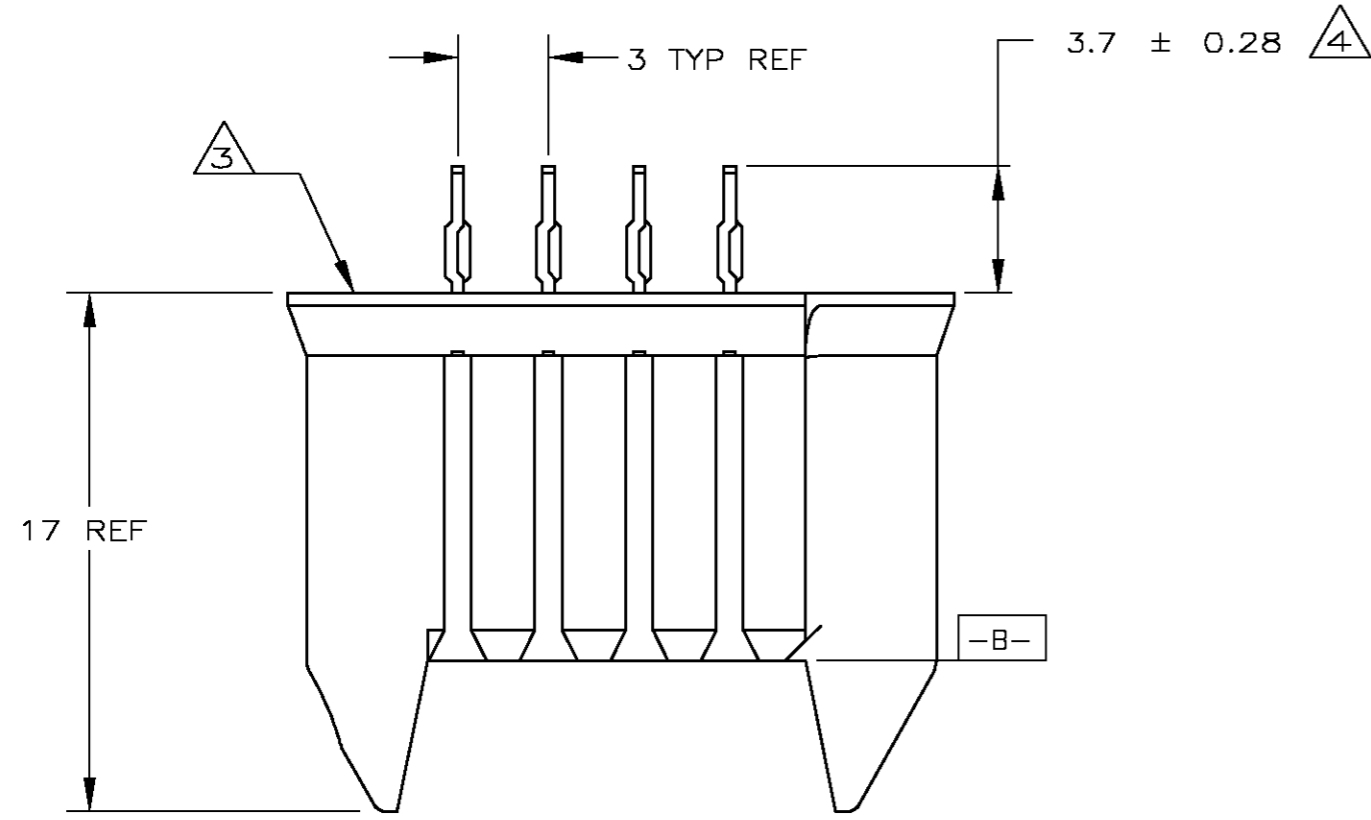
Email & Skype: info@chipsmall.com Web: www.chipsmall.com

Address: A1208, Overseas Decoration Building, #122 Zhenhua RD., Futian, Shenzhen, China

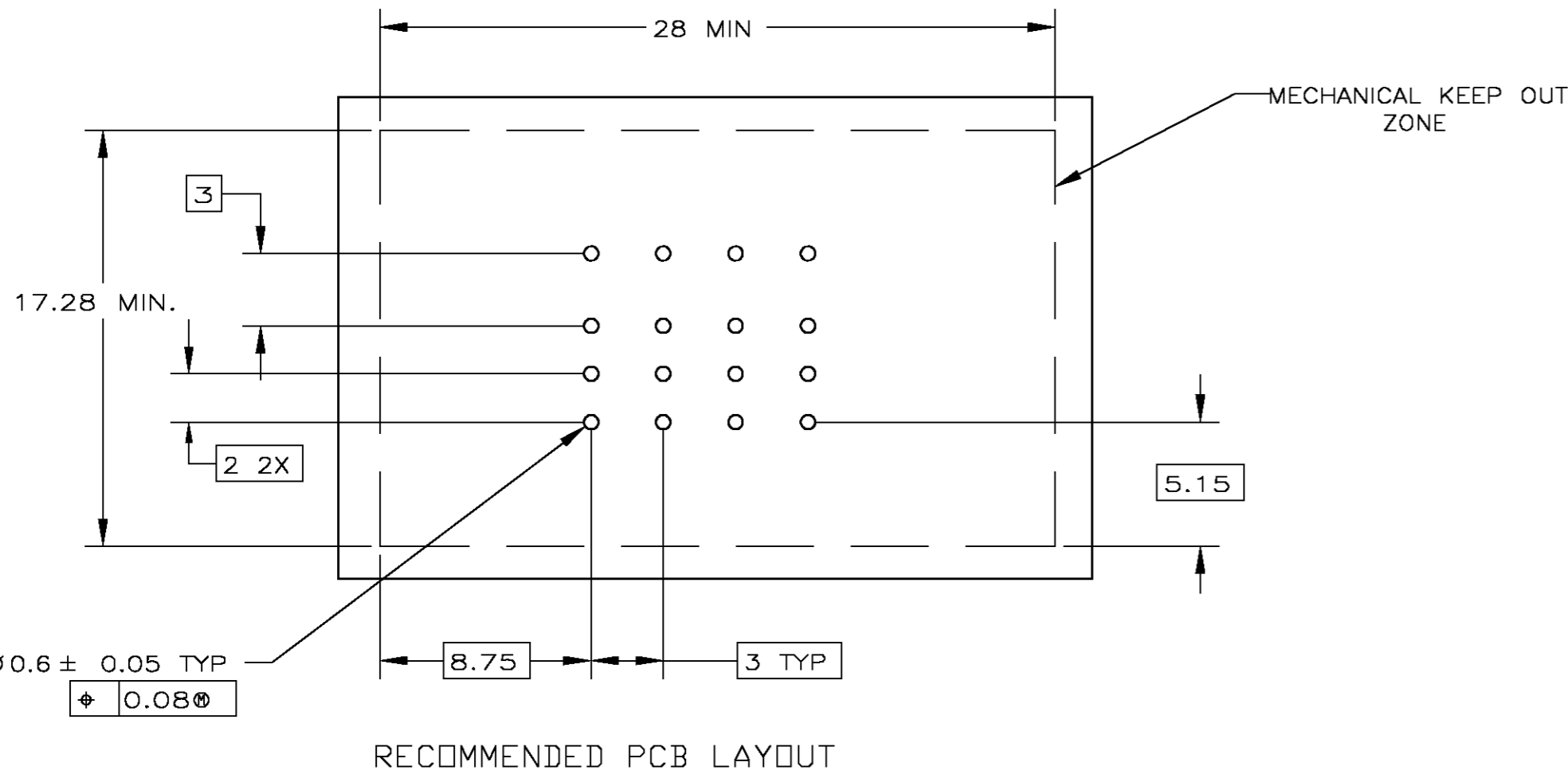
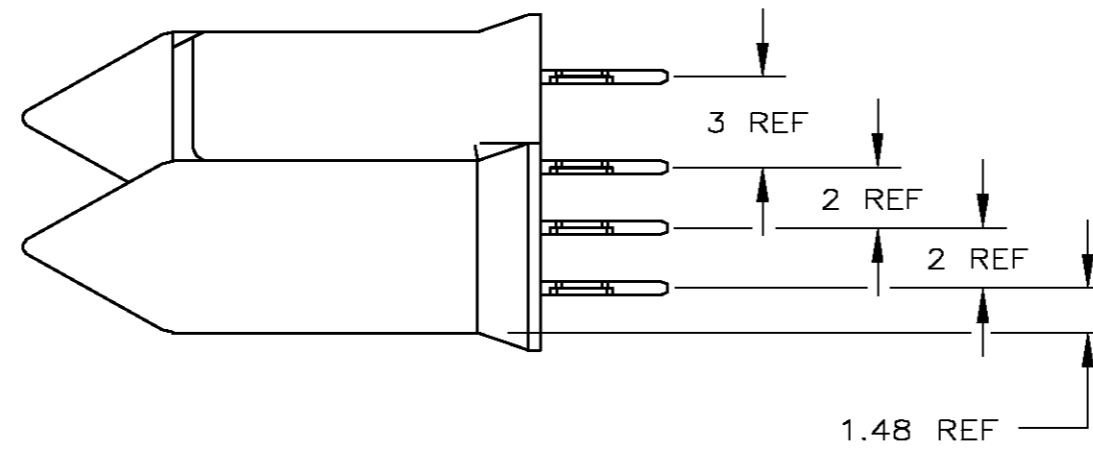
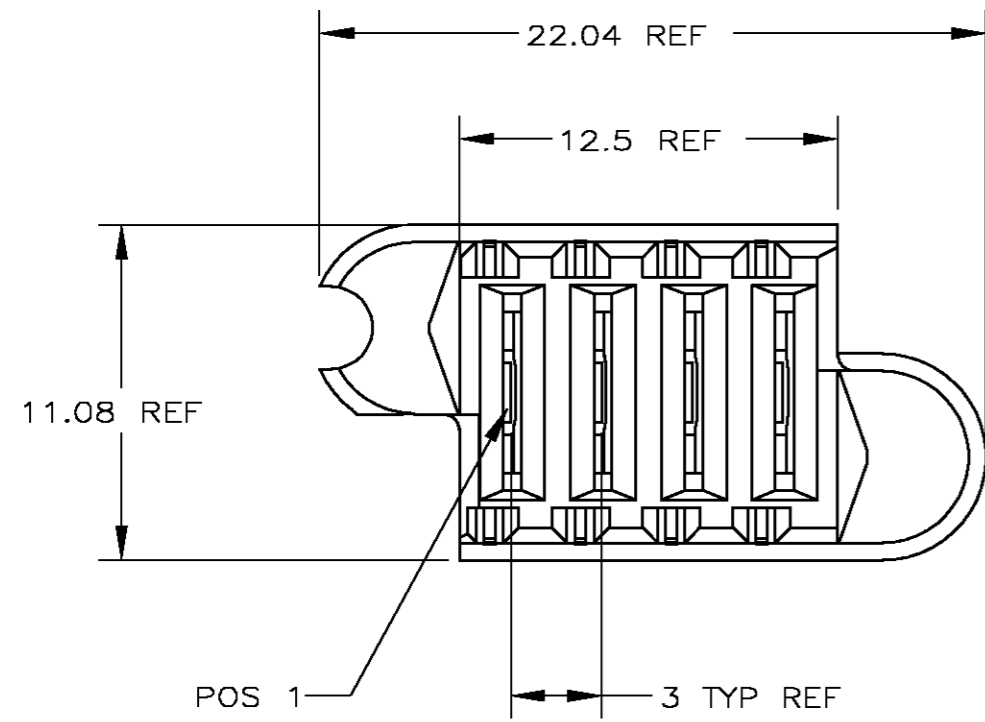


THIS DRAWING IS UNPUBLISHED. RELEASED FOR PUBLICATION
 © COPYRIGHT BY TYCO ELECTRONICS CORPORATION. ALL RIGHTS RESERVED.

LOC		DIST		REVISIONS			
P	LTR	DESCRIPTION	DATE	DWN	APVD		
GP	00	A	REV PER EC 0S12-0192-04	02AUG04	AF	SWB	



- 1 MATERIAL: HOUSING - HIGH TEMP THERMO PLASTIC (UL 94 V-0), BLACK
CONTACT - COPPER ALLOY
- 2 CONTACT PLATING: 1.27 μm MIN Au OVER 1.27 μm Ni ON CONTACT AREA.
Sn OVER Ni ON TAILS
- 3 "AMP" TRADEMARK TO APPEAR ON THIS SURFACE.
- 4 DIMENSION APPLIES AFTER CONNECTOR IS APPLIED TO PCB.
- 5 THIS PRODUCT HAS NOT COMPLETED VALIDATION TESTING.



1489130

1489130-2
 PART NUMBER

THIS DRAWING IS A CONTROLLED DOCUMENT.		DWN 18MAY2002	Tyco Electronics Corporation MIDDLETOWN, PA 17057	
DIMENSIONS: MM		AL FRANTUM		
TOLERANCES UNLESS OTHERWISE SPECIFIED:		CHK -	NAME MINI POWER DRAWER RECEPTACLE ASSEMBLY PRESS FIT	
0 PLC ± -		APVD -		
1 PLC ± .25		PRODUCT SPEC 108-1998		SIZE A2 CAGE CODE 00779 C=1489130
2 PLC ± .13		APPLICATION SPEC		
3 PLC ± .05		114-13067		RESTRICTED TO -
4 PLC ± .025		WEIGHT -		
ANGLES ± 2		CUSTOMER DRAWING		SCALE 1:1 SHEET 1 OF 1 REV A
FINISH				