



Chipsmall Limited consists of a professional team with an average of over 10 year of expertise in the distribution of electronic components. Based in Hongkong, we have already established firm and mutual-benefit business relationships with customers from,Europe,America and south Asia,supplying obsolete and hard-to-find components to meet their specific needs.

With the principle of “Quality Parts,Customers Priority,Honest Operation,and Considerate Service”,our business mainly focus on the distribution of electronic components. Line cards we deal with include Microchip,ALPS,ROHM,Xilinx,Pulse,ON,Everlight and Freescale. Main products comprise IC,Modules,Potentiometer,IC Socket,Relay,Connector.Our parts cover such applications as commercial,industrial, and automotives areas.

We are looking forward to setting up business relationship with you and hope to provide you with the best service and solution. Let us make a better world for our industry!



## Contact us

Tel: +86-755-8981 8866 Fax: +86-755-8427 6832

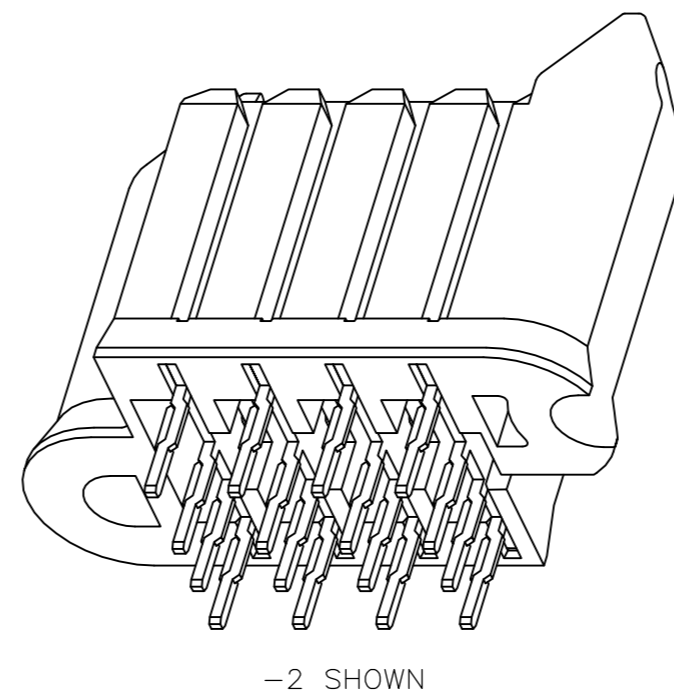
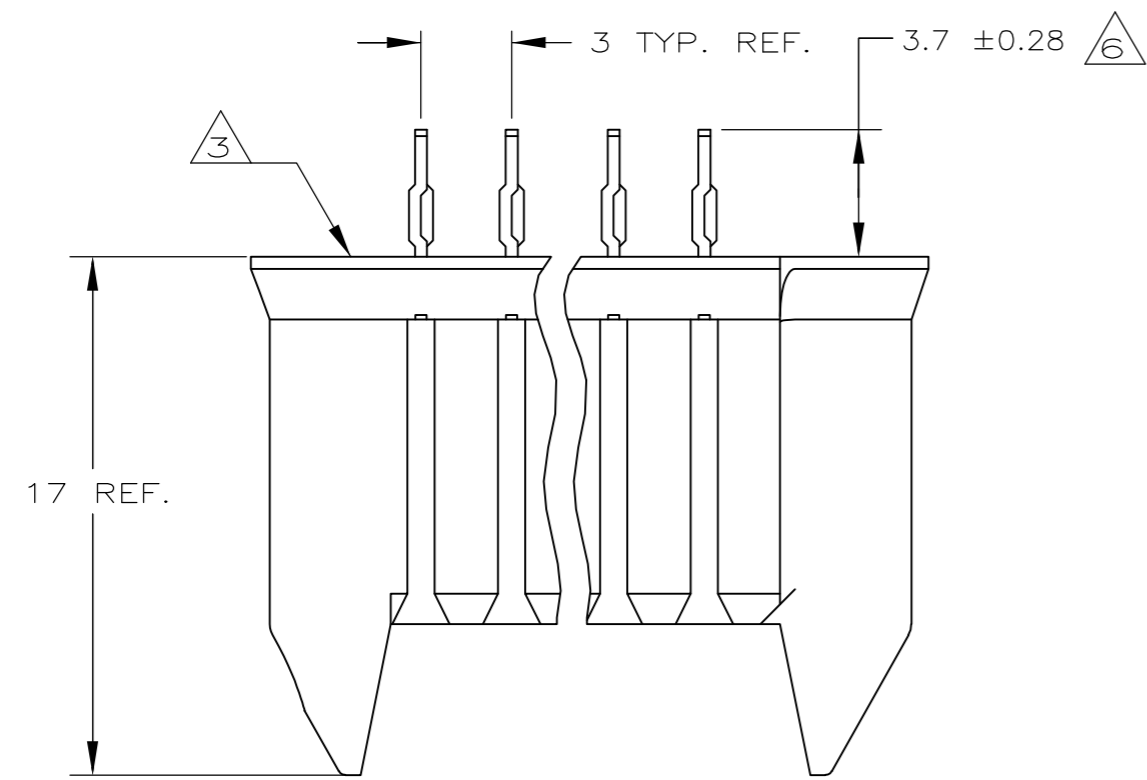
Email & Skype: info@chipsmall.com Web: www.chipsmall.com

Address: A1208, Overseas Decoration Building, #122 Zhenhua RD., Futian, Shenzhen, China

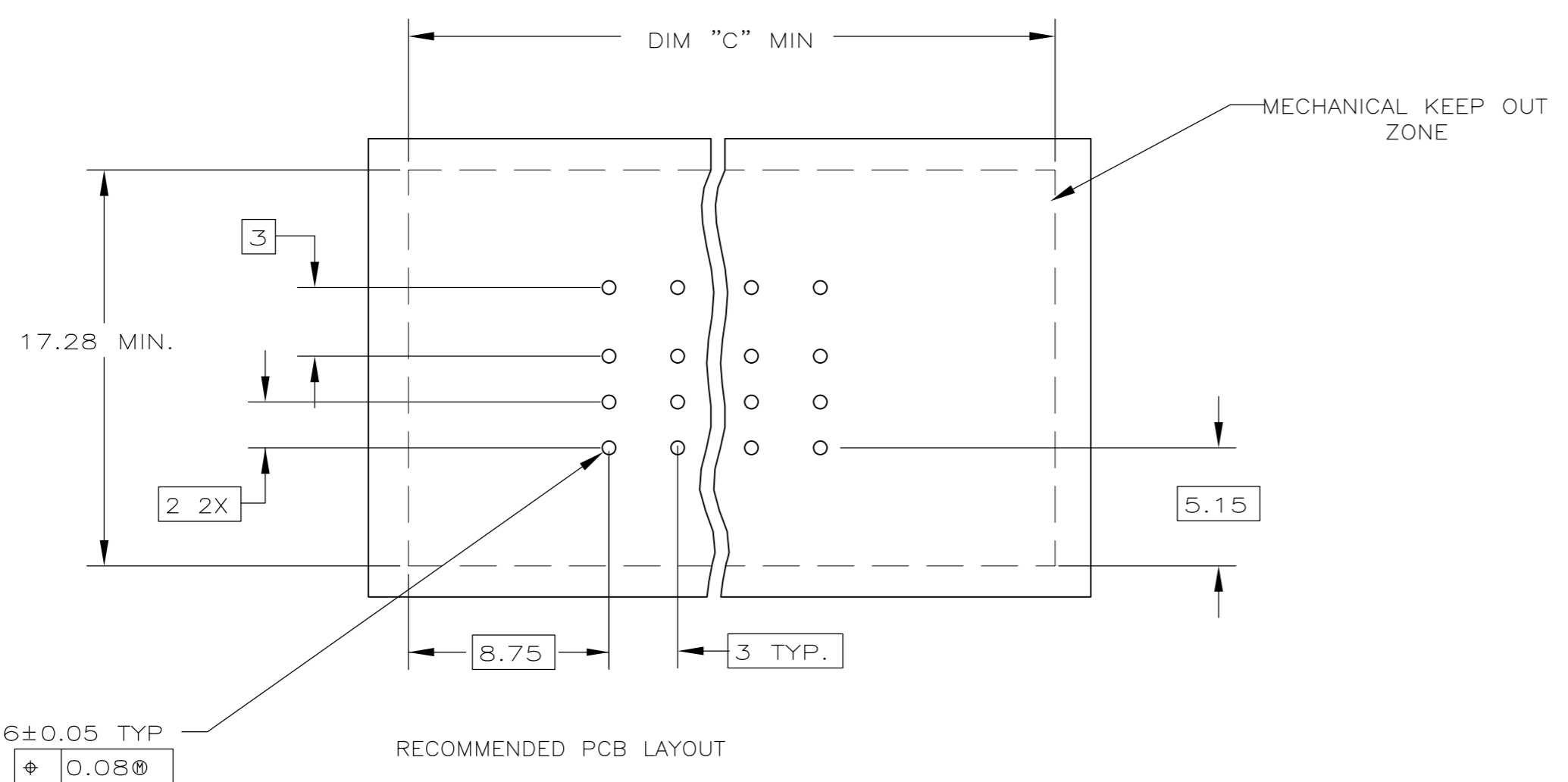
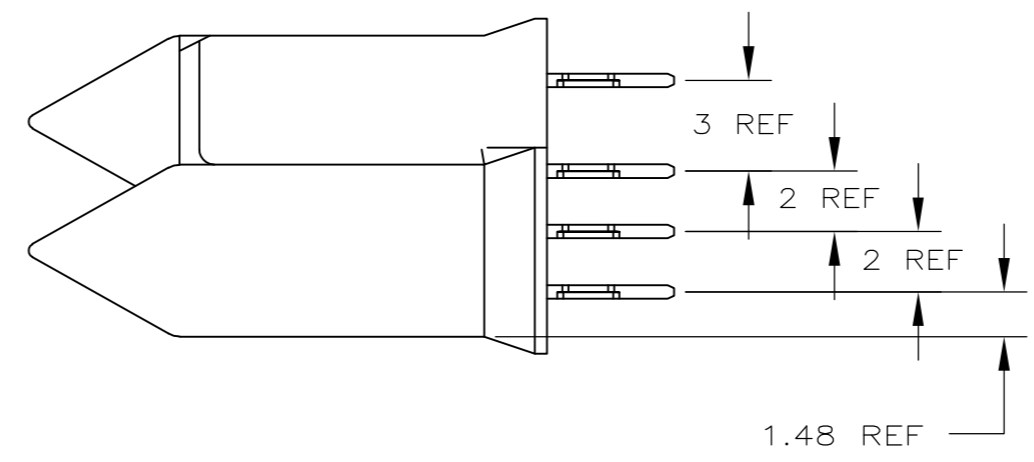
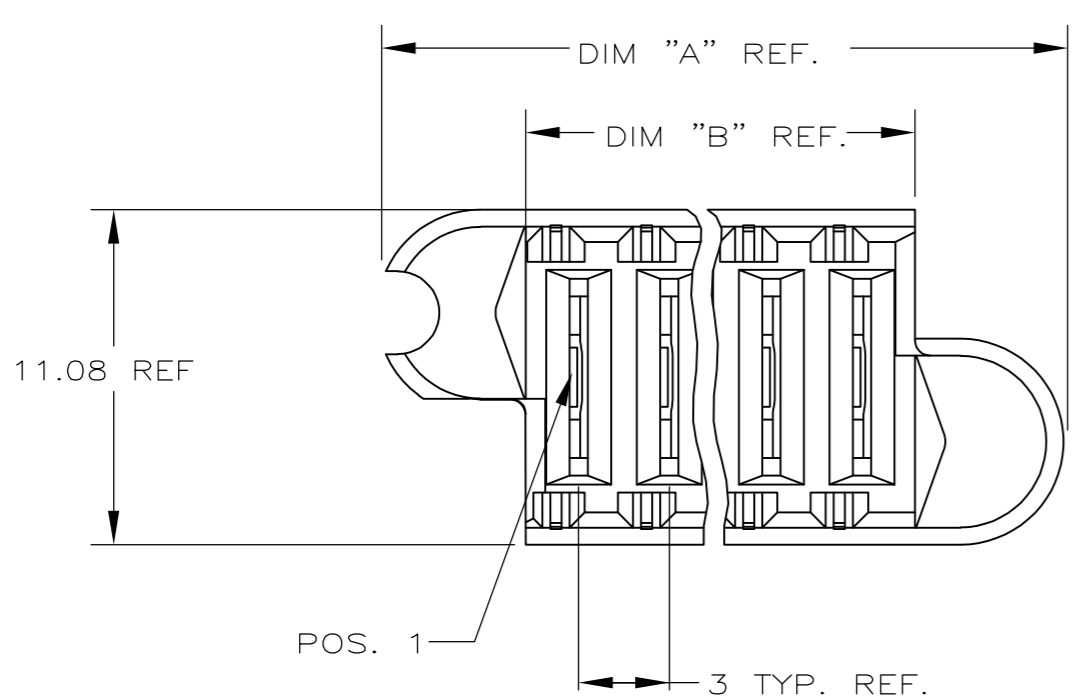


THIS DRAWING IS UNPUBLISHED. RELEASED FOR PUBLICATION  
 © COPYRIGHT - By - ALL RIGHTS RESERVED.

LOC		DIST		REVISIONS			
P	LTR	DESCRIPTION		DATE	DWN	APVD	
GP	00	B1	REVISED PER ECO-11-005033		23MAR11	RK	HMR



- 1 MATERIAL: HOUSING - HIGH TEMP THERMO PLASTIC (UL 94 V-0), BLACK
- 2 CONTACT MATERIAL : BRASS
- 3 CONTACT MATERIAL : HIGH - CONDUCTIVITY COPPER ALLOY
- 4 CONTACT PLATING: .38 μm MIN Au OVER 1.27 μm Ni ON CONTACT AREA  
Sn OVER Ni ON TAILS
- 5 CONTACT PLATING: 1.27 μm MIN AU OVER 1.27 μm Ni ON CONTACT AREA.  
Sn OVER Ni ON TAILS
- 6 DIMENSION APPLIES AFTER CONNECTOR IS APPLIED TO PCB.
- 7 "AMP" TRADEMARK TO APPEAR ON THIS SURFACE & IN APPROXIMATE LOCATION SHOWN.



46 MIN.	30.5	40.04	5	3	10	1-1489715-8
43 MIN.	27.5	37.04	5	3	9	1-1489715-7
40 MIN.	24.5	34.04	5	3	8	1-1489715-6
37 MIN.	21.5	31.04	5	3	7	1-1489715-5
34 MIN.	18.5	28.04	5	3	6	1-1489715-4
31 MIN.	15.5	25.04	5	3	5	1-1489715-3
28 MIN.	12.5	22.04	5	3	4	1-1489715-2
25 MIN.	9.5	19.04	5	3	3	1-1489715-1
46 MIN.	30.5	40.04	4	2	10	1489715-8
43 MIN.	27.5	37.04	4	2	9	1489715-7
40 MIN.	24.5	34.04	4	2	8	1489715-6
37 MIN.	21.5	31.04	4	2	7	1489715-5
34 MIN.	18.5	28.04	4	2	6	1489715-4
31 MIN.	15.5	25.04	4	2	5	1489715-3
28 MIN.	12.5	22.04	4	2	4	1489715-2
25 MIN.	9.5	19.04	4	2	3	1489715-1
C	B	A	FINISH	CONTACT MATERIAL	POSN	PART NUMBER

THIS DRAWING IS A CONTROLLED DOCUMENT. DWN AL FRANTUM 20MAY2002  
 CHK -  
 APVD -  
 PRODUCT SPEC 108-1998  
 APPLICATION SPEC 114-13067  
 WEIGHT -

**STE** TE Connectivity  
 MINI POWER DRAWER RECEPTACLE ASSEMBLY PRESS FIT

SIZE A2 CAGE CODE 00779 DRAWING NO C=1489715 RESTRICTED TO -  
 SCALE 4:1 SHEET 1 OF 1 REV B1

DIMENSIONS: mm TOLERANCES UNLESS OTHERWISE SPECIFIED:  
 0 PLC ± -  
 1 PLC ± 0.25  
 2 PLC ± 0.13  
 3 PLC ± 0.05  
 4 PLC ± 0.025  
 ANGLES ± 2°

MATERIAL FINISH