



Chipsmall Limited consists of a professional team with an average of over 10 year of expertise in the distribution of electronic components. Based in Hongkong, we have already established firm and mutual-benefit business relationships with customers from,Europe,America and south Asia,supplying obsolete and hard-to-find components to meet their specific needs.

With the principle of “Quality Parts,Customers Priority,Honest Operation,and Considerate Service”,our business mainly focus on the distribution of electronic components. Line cards we deal with include Microchip,ALPS,ROHM,Xilinx,Pulse,ON,Everlight and Freescale. Main products comprise IC,Modules,Potentiometer,IC Socket,Relay,Connector.Our parts cover such applications as commercial,industrial, and automotives areas.

We are looking forward to setting up business relationship with you and hope to provide you with the best service and solution. Let us make a better world for our industry!



Contact us

Tel: +86-755-8981 8866 Fax: +86-755-8427 6832

Email & Skype: info@chipsmall.com Web: www.chipsmall.com

Address: A1208, Overseas Decoration Building, #122 Zhenhua RD., Futian, Shenzhen, China



THIS DRAWING IS UNPUBLISHED. RELEASED FOR PUBLICATION 20
 © COPYRIGHT 20 BY - ALL RIGHTS RESERVED.

LOC	DIST	REVISIONS					
ES	00	P	LTR	DESCRIPTION	DATE	DWN	APVD
		F		REVISED	03DEC2012	DZ	AC

XFP CAGE
 MAT'L: COPPER ALLOY
 FINISH: TIN

INTERMEDIATE REAR EMI GASKET;
 MAT'L: COPPER ALLOY
 FINISH: TIN

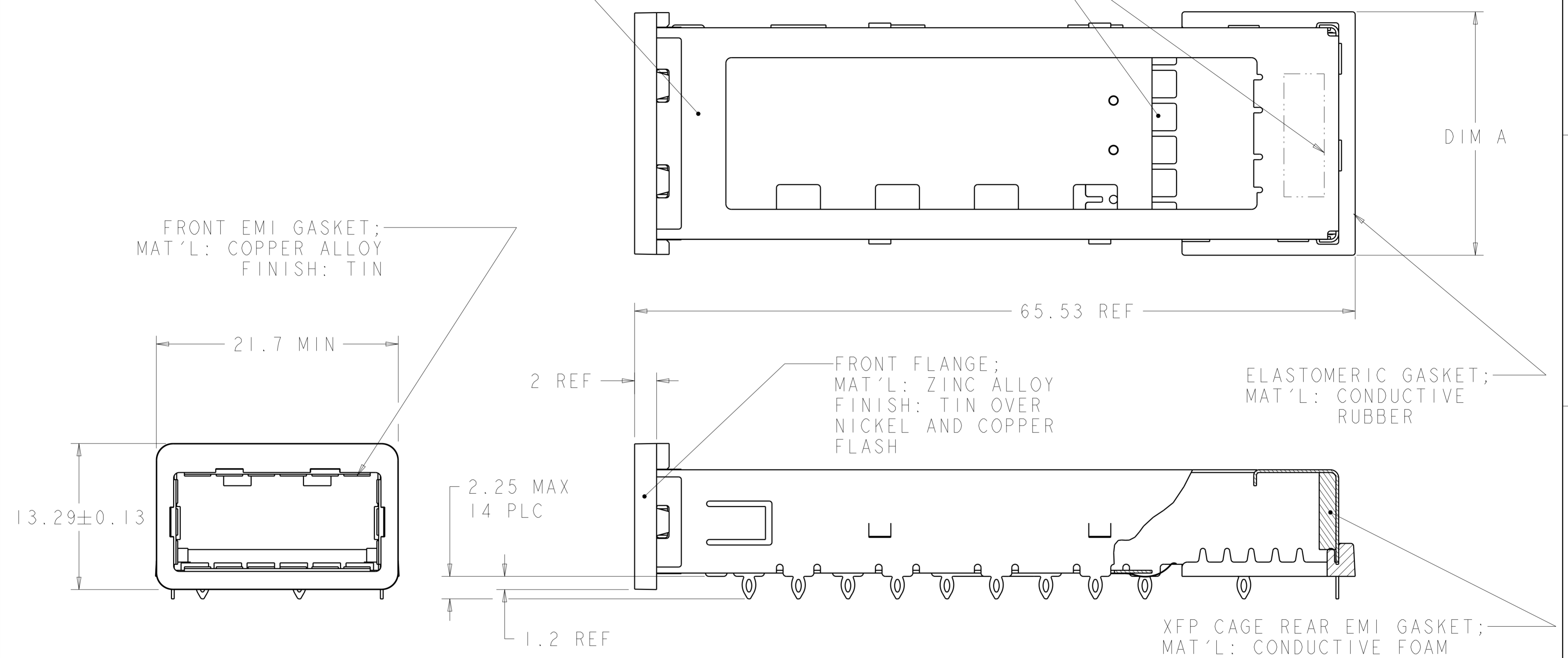
DATE CODE APPROXIMATE LOCATION

FRONT EMI GASKET;
 MAT'L: COPPER ALLOY
 FINISH: TIN

FRONT FLANGE;
 MAT'L: ZINC ALLOY
 FINISH: TIN OVER
 NICKEL AND COPPER
 FLASH

ELASTOMERIC GASKET;
 MAT'L: CONDUCTIVE
 RUBBER

XFP CAGE REAR EMI GASKET;
 MAT'L: CONDUCTIVE FOAM



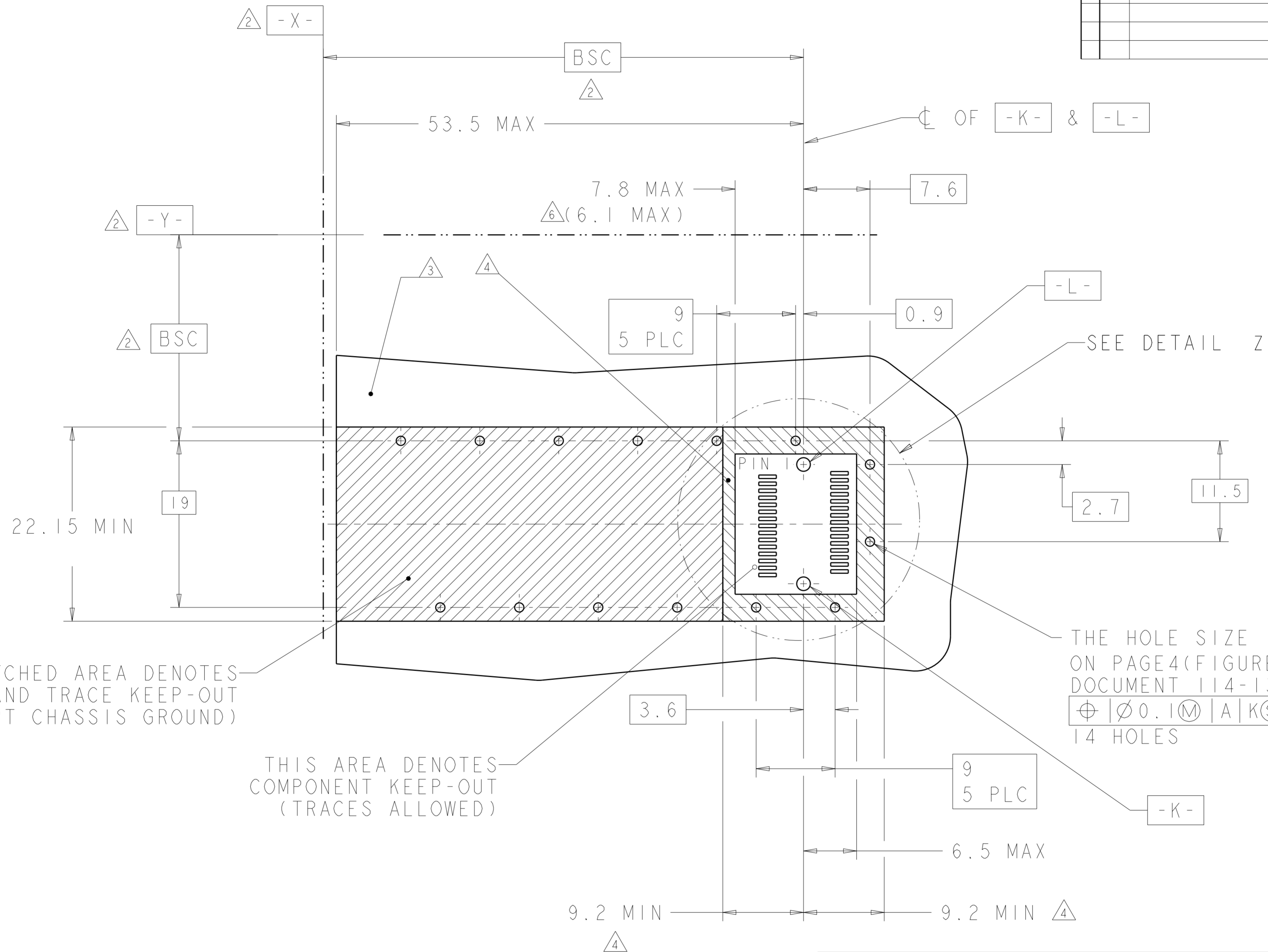
- ① MATES WITH XFP-MSA COMPLIANT TRANSCEIVERS.
- ② DATUM -X- AND -Y- ESTABLISHED BY CUSTOMER.
- ③ DATUM -A- IS TOP SURFACE OF HOST BOARD.
- ④ INDICATED SURFACES TO BE CONDUCTIVE AND CONNECTED TO CHASSIS GROUND.
- ⑤ THE PART IS PRELIMINARY
- ⑥ THE SELECTIVE DIMENSION 6.1 MAX ONLY FOR CUSTOMER HUAWEI

⑤	22 MAX	NO	1489951-4
	23 MAX	YES	1489951-2
	23 MAX	NO	1489951-1
	DIM A	DATE CODE	PART NUMBER

THIS DRAWING IS A CONTROLLED DOCUMENT.		DWN D. STAHL 14AUG02	TE Connectivity	
DIMENSIONS: mm		CHK J. KOPPENHEFFER 15JAN04		
TOLERANCES UNLESS OTHERWISE SPECIFIED:		APVD M. WALMSLEY 15JAN04	NAME CAGE ASSEMBLY, 10 GIGABIT, XFP	
0 PLC ±- 1 PLC ±.1 2 PLC ±.01 3 PLC ±.001 4 PLC ±.0001 ANGLES ±- FINISH ±-		PRODUCT SPEC 108-2127	SIZE A200779	
MATERIAL		APPLICATION SPEC 114-13096	DRAWING NO C-1489951	
		WEIGHT	RESTRICTED TO	
		Customer Drawing	SCALE 4 SHEET 1 OF 3 REV F	

THIS DRAWING IS UNPUBLISHED. RELEASED FOR PUBLICATION 20
 © COPYRIGHT 20 BY - ALL RIGHTS RESERVED.

LOC	DIST	REVISIONS					
ES	00	P	LTR	DESCRIPTION	DATE	DWN	APVD
		-		SEE SHEET 1			



CROSS-HATCHED AREA DENOTES COMPONENT AND TRACE KEEP-OUT (EXCEPT CHASSIS GROUND)

THIS AREA DENOTES COMPONENT KEEP-OUT (TRACES ALLOWED)

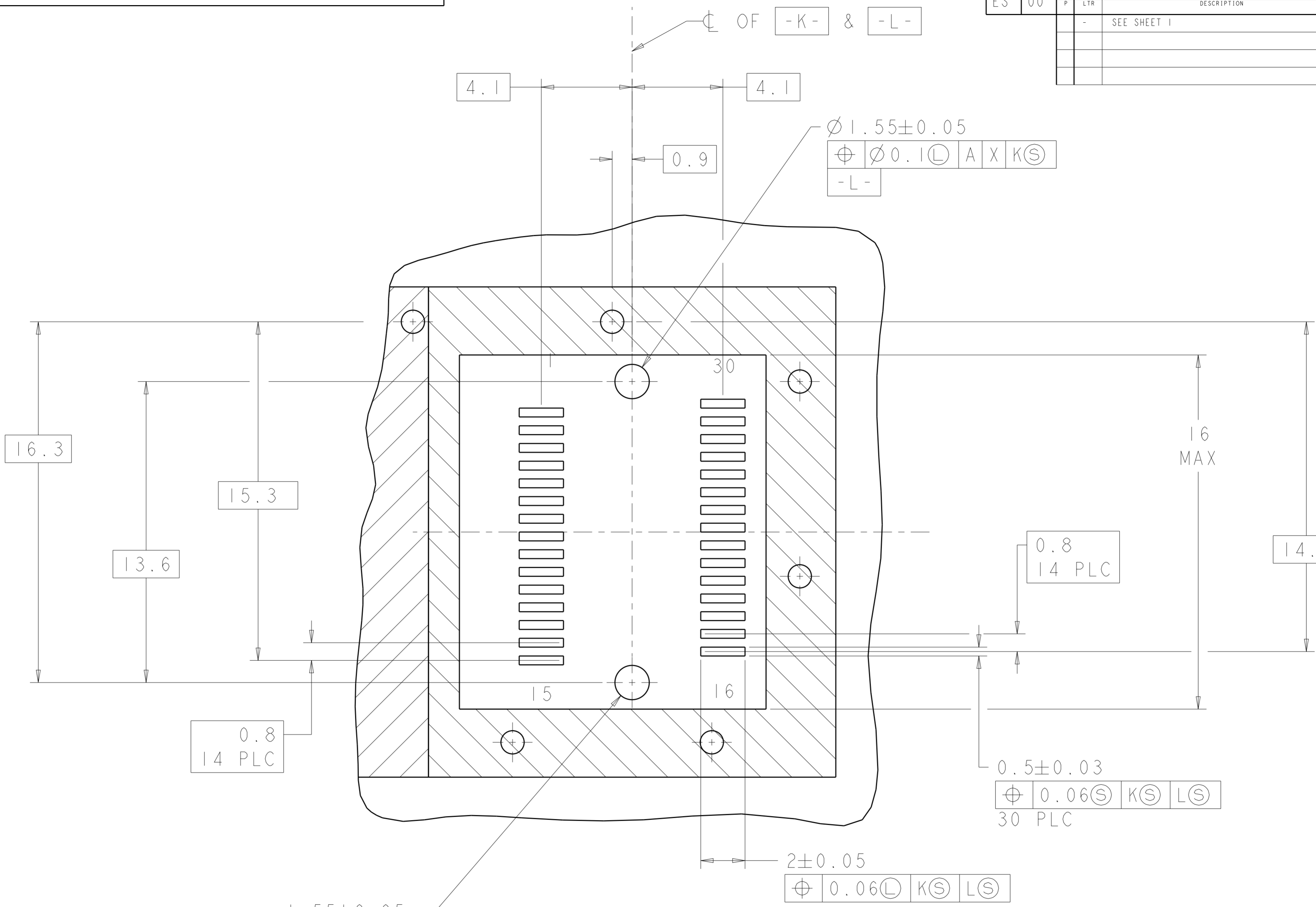
THE HOLE SIZE IS RECOMMENDED ON PAGE 4 (FIGURE 3) OF TE DOCUMENT 114-13096
 $\varnothing 0.1 \text{ (M)}$ | A | K | S | L | S
 14 HOLES

DETAILED HOST BOARD MECHANICAL LAYOUT

THIS DRAWING IS A CONTROLLED DOCUMENT.		DWN D. STAHL 14AUG02	 TE Connectivity
DIMENSIONS: mm		CHK J. KOPPENHEFFER 15JAN04	
TOLERANCES UNLESS OTHERWISE SPECIFIED:		APVD M. WALMSLEY 15JAN04	
0 PLC ±.1 1 PLC ±.01 2 PLC ±.001 3 PLC ±.0001 4 PLC ANGLES ±.		NAME CAGE ASSEMBLY, 10 GIGABIT, XFP	
MATERIAL		PRODUCT SPEC 108-2127	SIZE A200779
		APPLICATION SPEC 114-13096	DRAWING NO C-1489951
		WEIGHT	RESTRICTED TO
		Customer Drawing	SCALE 4 SHEET 2 OF 3 REV F

THIS DRAWING IS UNPUBLISHED. RELEASED FOR PUBLICATION 20
 © COPYRIGHT 20 BY - ALL RIGHTS RESERVED.

LOC	DIST	REVISIONS					
ES	00	P	LTR	DESCRIPTION	DATE	DWN	APVD
		-		SEE SHEET 1	-	-	-



1.55 ± 0.05
 $\phi \phi 0.1 \text{ (L) A X Y}$
 -K-

DETAIL Z
 SCALE 8:1

DETAILED HOST BOARD MECHANICAL LAYOUT

THIS DRAWING IS A CONTROLLED DOCUMENT.		DWN D. STAHL 14AUG02	TE Connectivity	
DIMENSIONS: mm		CHK J. KOPPENHEFFER 15JAN04		
TOLERANCES UNLESS OTHERWISE SPECIFIED:		APVD M. WALMSLEY 15JAN04	NAME CAGE ASSEMBLY, 10 GIGABIT, XFP	
0 PLC ±.1	1 PLC ±.01	PRODUCT SPEC 108-2127	SIZE A200779	
2 PLC ±.001	3 PLC ±.0001	APPLICATION SPEC 114-13096	DRAWING NO C-1489951	
4 PLC ±.0001	ANGLES ±	WEIGHT -	RESTRICTED TO -	
FINISH		Customer Drawing	SCALE 4	SHEET 3 OF 3
				REV F