



Chipsmall Limited consists of a professional team with an average of over 10 year of expertise in the distribution of electronic components. Based in Hongkong, we have already established firm and mutual-benefit business relationships with customers from,Europe,America and south Asia,supplying obsolete and hard-to-find components to meet their specific needs.

With the principle of "Quality Parts,Customers Priority,Honest Operation,and Considerate Service",our business mainly focus on the distribution of electronic components. Line cards we deal with include Microchip,ALPS,ROHM,Xilinx,Pulse,ON,Everlight and Freescale. Main products comprise IC,Modules,Potentiometer,IC Socket,Relay,Connector.Our parts cover such applications as commercial,industrial, and automotives areas.

We are looking forward to setting up business relationship with you and hope to provide you with the best service and solution. Let us make a better world for our industry!



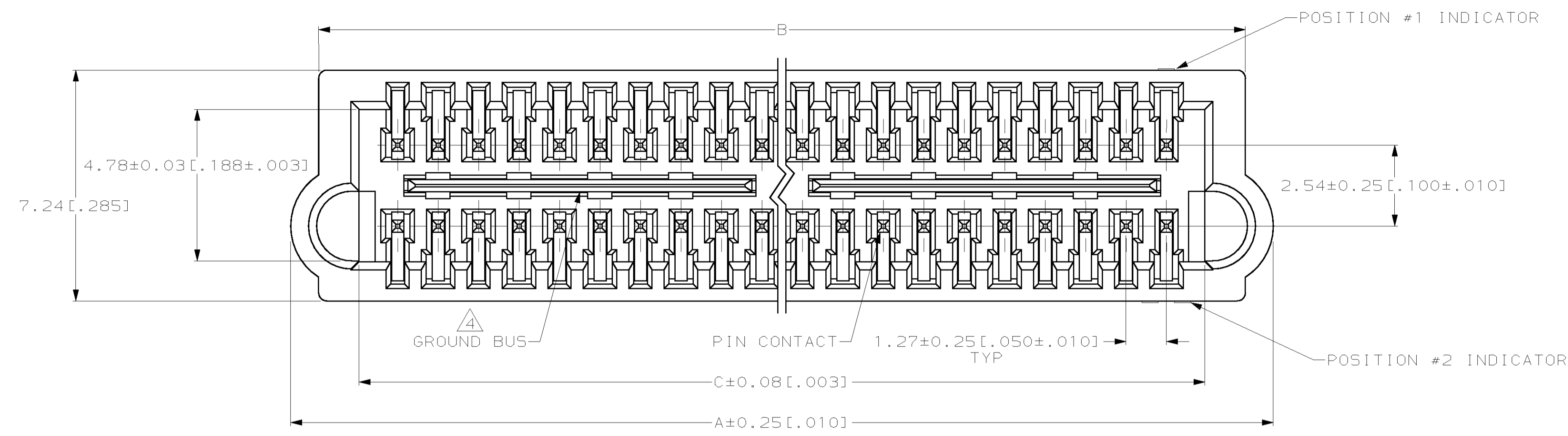
Contact us

Tel: +86-755-8981 8866 Fax: +86-755-8427 6832

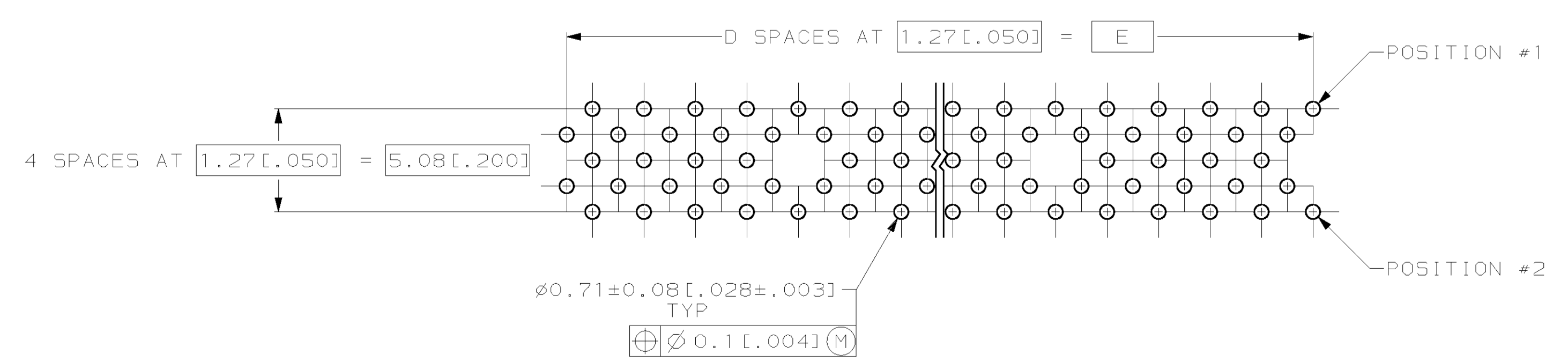
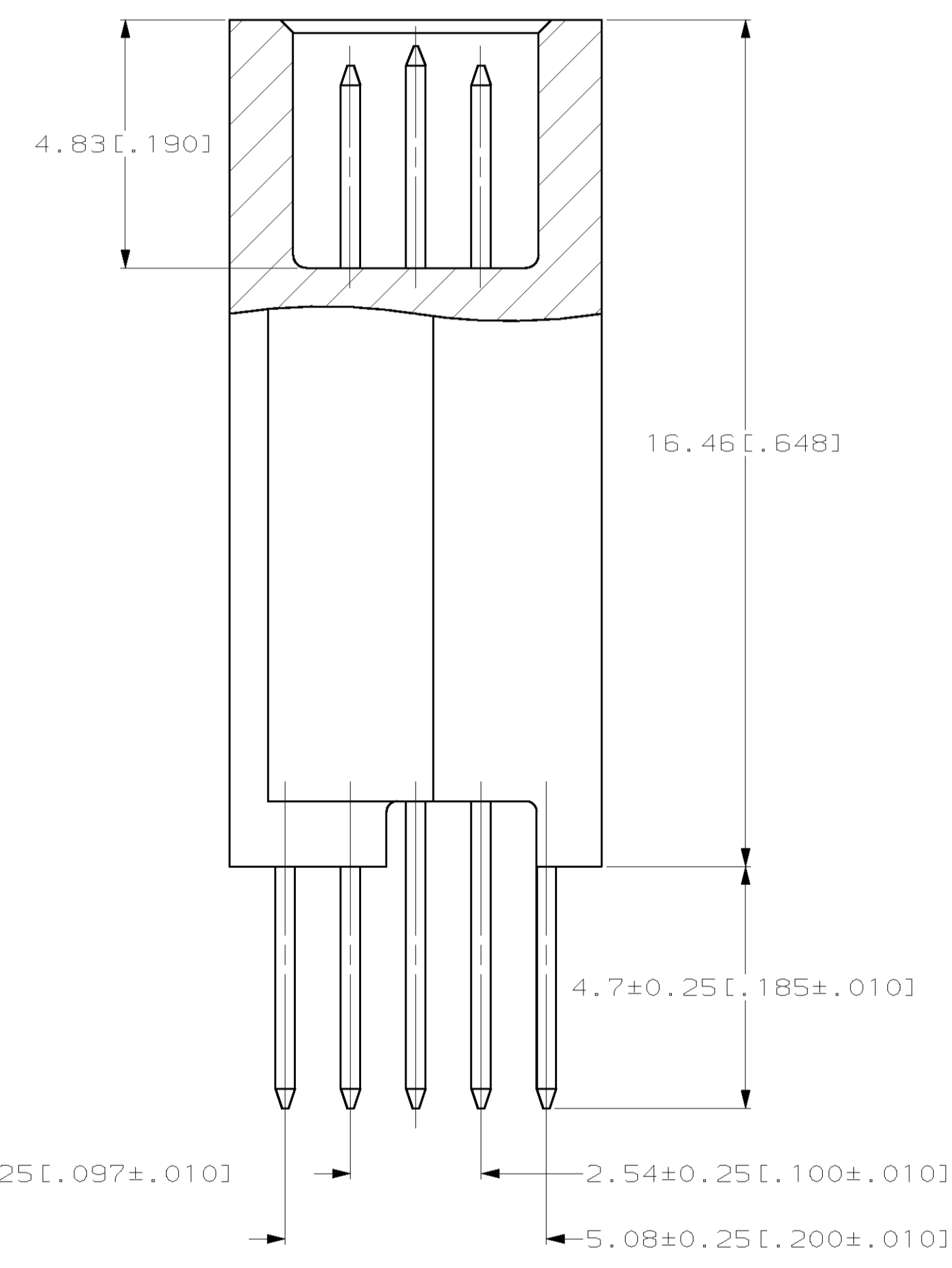
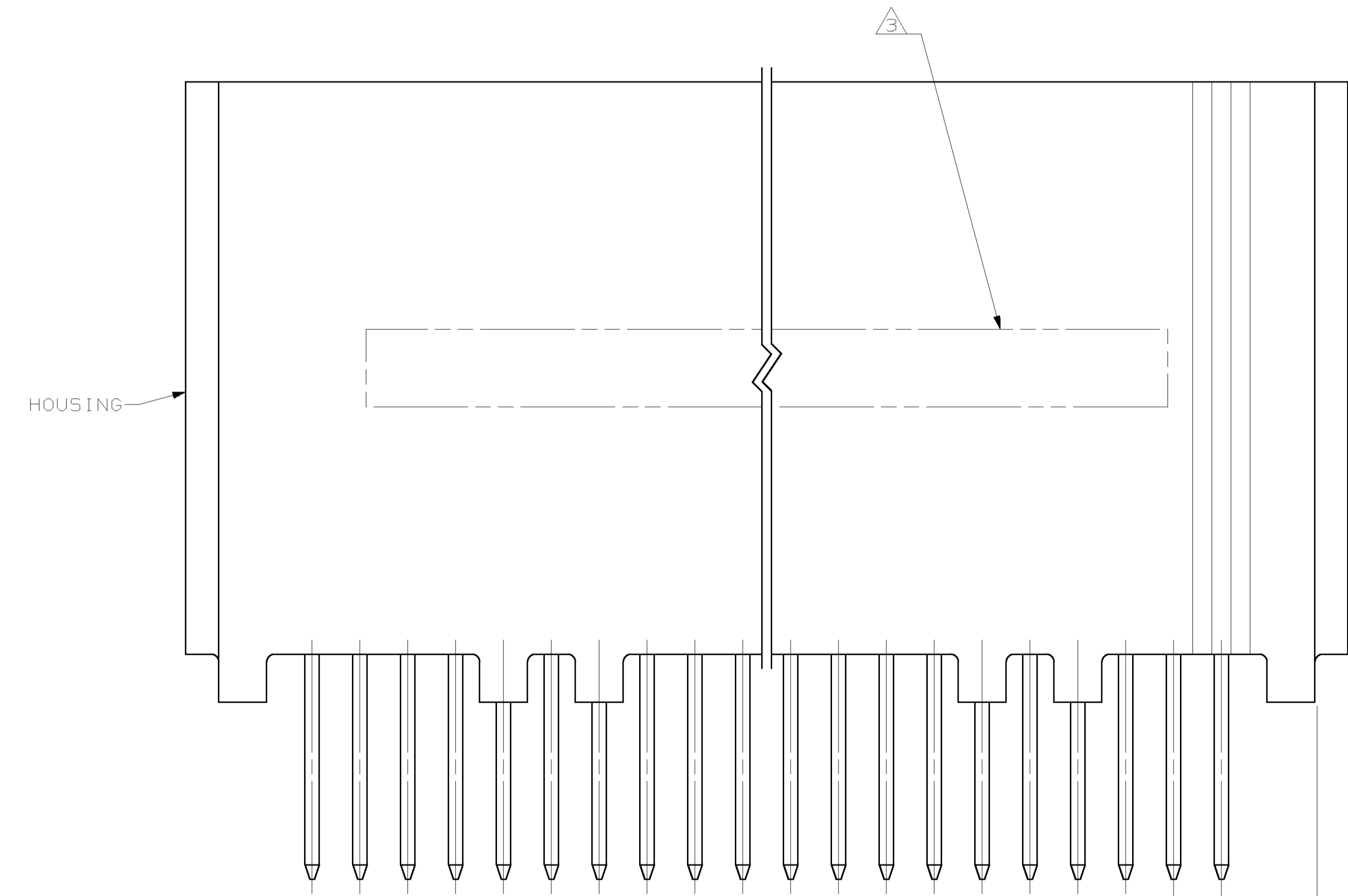
Email & Skype: info@chipsmall.com Web: www.chipsmall.com

Address: A1208, Overseas Decoration Building, #122 Zhenhua RD., Futian, Shenzhen, China





- ① HOUSING: HIGH TEMPERATURE THERMOPLASTIC, COLOR NATURAL.
PIN CONTACTS: PHOSPHOR BRONZE.
GROUND BUSES: PHOSPHOR BRONZE.
- ② PIN CONTACTS: 0.00076[.000030] MIN GOLD IN CONTACT AREA, 0.00254-0.00762[.000100-.000300] TIN-LEAD ON SOLDER TAIL, ALL OVER 0.00127-0.00254[.000050-.000100] NICKEL ON ENTIRE CONTACT.
GROUND BUSES: 0.00076[.000030] MIN GOLD IN CONTACT AREA, 0.00254-0.00762[.000100-.000300] TIN-LEAD ON SOLDER TAIL, ALL OVER 0.00127-0.00254[.000050-.000100] NICKEL ON ENTIRE BUS.
- ③ AMP AND DATE CODE MARKED IN AREA INDICATED, ON SAME SIDE AS POSITION NUMBER 2 INDICATOR.
- ④ ONE GROUND BUS WITH 4 TAILS PER EACH 20 PIN CONTACTS.



OBSOLETE	125.73 [4.950]	99	128.22 [5.048]	130.81 [5.150]	132.44 [5.214]	200	149012-9
OBSOLETE	113.03 [4.450]	89	115.52 [4.548]	118.11 [4.650]	119.74 [4.714]	180	149012-8
OBSOLETE	100.33 [3.950]	79	102.82 [4.048]	105.41 [4.150]	107.04 [4.214]	160	149012-7
OBSOLETE	87.63 [3.450]	69	90.12 [3.548]	92.71 [3.650]	94.34 [3.714]	140	149012-6
OBSOLETE	74.93 [2.950]	59	77.42 [3.048]	80.01 [3.150]	81.64 [3.214]	120	149012-5
OBSOLETE	62.23 [2.450]	49	64.72 [2.548]	67.31 [2.650]	68.94 [2.714]	100	149012-4
	49.53 [1.950]	39	52.02 [2.048]	54.61 [2.150]	56.24 [2.214]	80	149012-3
	36.83 [1.450]	29	39.32 [1.548]	41.91 [1.650]	43.54 [1.714]	60	149012-2
	24.13 [.950]	19	26.62 [1.048]	29.21 [1.150]	30.84 [1.214]	40	149012-1
	E	D	C	B	A	NO OF POS	PART NUMBER

DIMENSIONS: mm [INCHES]		TOLERANCES UNLESS OTHERWISE SPECIFIED: Ø RLC ±.01 RLC ±.01 RLC ±.01 RLC ±.01 RLC ±.01 ANGLES ±.01		DMN: J. GERACE 11-29-94 CHK: P. MATAR 11-29-94 RPD: A. MONK 11-29-94		AMP Incorporated Harrisburg, PA 17105-3608	
MATERIAL:		FINISH:		PRODUCT SPEC: 108-1272 APPLICATION SPEC: 114-11005		PLUG ASSEMBLY, 18.75 [0.738] STACK, 4.7 [0.185] TAIL, BOARD TO BOARD, MICROSTRIP	
HEIGHT: -		CUSTOMER DRAWING		SIZE: A1 CAGE CODE: 00779 DRAWING NO: C-149012		SCALE: 10:1 SHEET: 1 OF 1 REV: B	