



Chipsmall Limited consists of a professional team with an average of over 10 year of expertise in the distribution of electronic components. Based in Hongkong, we have already established firm and mutual-benefit business relationships with customers from,Europe,America and south Asia,supplying obsolete and hard-to-find components to meet their specific needs.

With the principle of “Quality Parts,Customers Priority,Honest Operation,and Considerate Service”,our business mainly focus on the distribution of electronic components. Line cards we deal with include Microchip,ALPS,ROHM,Xilinx,Pulse,ON,Everlight and Freescale. Main products comprise IC,Modules,Potentiometer,IC Socket,Relay,Connector.Our parts cover such applications as commercial,industrial, and automotives areas.

We are looking forward to setting up business relationship with you and hope to provide you with the best service and solution. Let us make a better world for our industry!



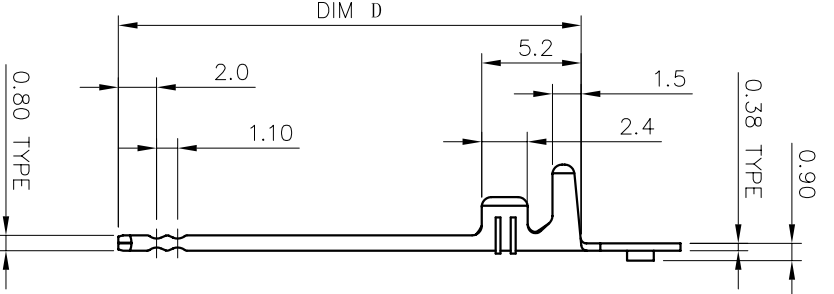
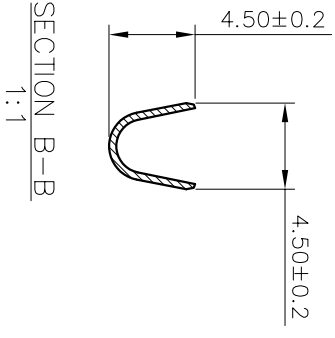
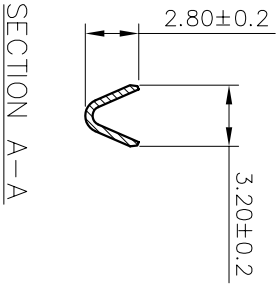
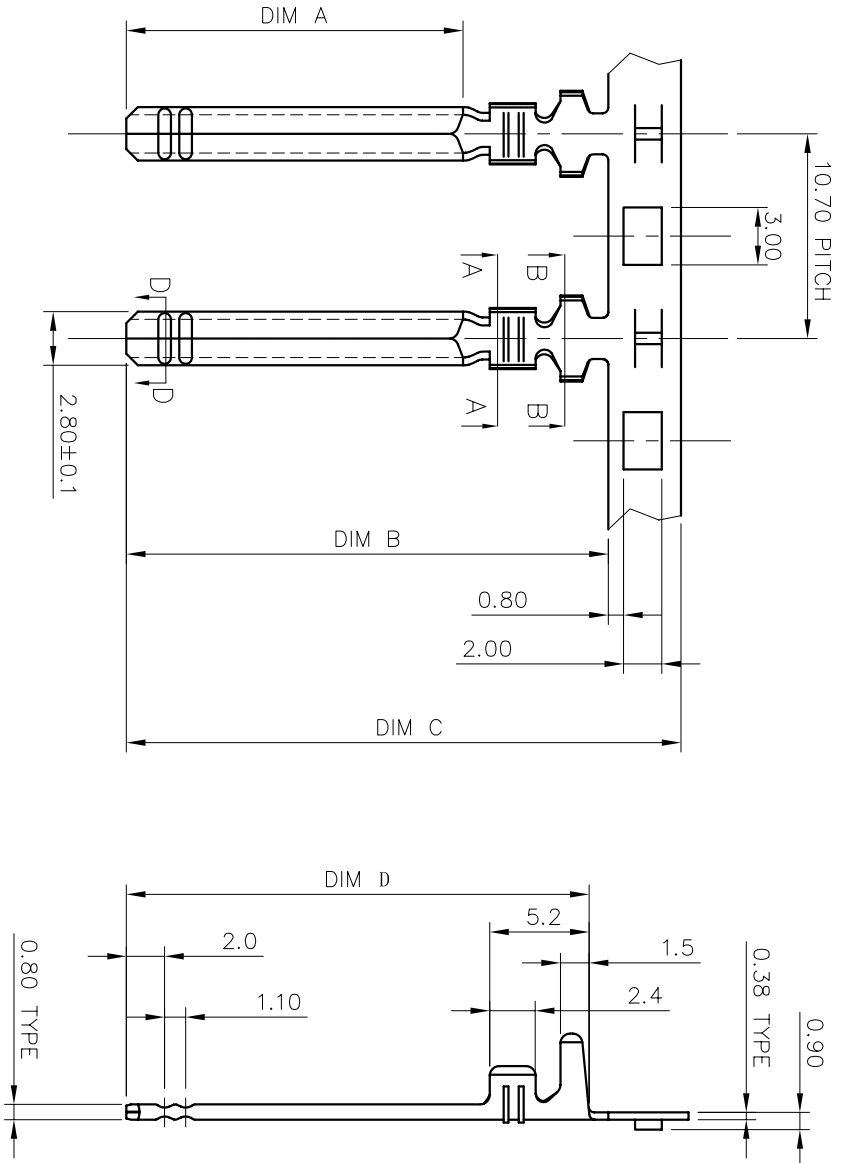
Contact us

Tel: +86-755-8981 8866 Fax: +86-755-8427 6832

Email & Skype: info@chipsmall.com Web: www.chipsmall.com

Address: A1208, Overseas Decoration Building, #122 Zhenhua RD., Futian, Shenzhen, China





- NOTES:
1. MATERIAL: COPPER ALLOY.
 2. CONTINUOUS STRIP ON REELS.
 3. APPLICATION DATA:
WIRE: 0.3~0.8 mm²
INSULATION: Ø 3.0 mm MAX.

DIST	LOC	P LTR	REVISION/RECORD	DATE	DMN	APPD
		O	FHI-0004-02 NEW REL	Nov.8,02	AM	SFS
		A	ECR-05-003159	MAY 16,05	BW	SFS

DR	ALAN MO	DATE	OCT.25,02	DIM D	DIM C	DIM B	DIM A	P/N
				24.4	29.2	25.4	17.6	1494210-2
				NONE	13.2	18.0	14.2	1494210-1

CHK	BORIS WONG	DATE	NOV.04,02	APPL	S.F. SHUM	DATE	NOV.06,02

TOLERANCES UNLESS OTHER SPECIFIED:
 0 P/LC ± 0.20
 1 P/LC ± 0.15
 2 P/LC ± 0.15
 3 P/LC ± 0.15
 4 P/LC ± 0.15
 ANGLE ± 1°
 DIMENSIONS IN mm

APPLICATION SPEC
 114-58500
 RESTRICTED TO SCALE SIZE DWG NO. C-1494210

NAME SIZE (2.8) FASTON TAB
TYCO
 Tyco Electronics
 Room 1301, Queen Centre No.
 100 Queen Rd, Tsimshatsui
 Kowloon
 Hong Kong

12 11 10 9 8 7 6 5 4 3 2 1