



Chipsmall Limited consists of a professional team with an average of over 10 year of expertise in the distribution of electronic components. Based in Hongkong, we have already established firm and mutual-benefit business relationships with customers from,Europe,America and south Asia,supplying obsolete and hard-to-find components to meet their specific needs.

With the principle of “Quality Parts,Customers Priority,Honest Operation,and Considerate Service”,our business mainly focus on the distribution of electronic components. Line cards we deal with include Microchip,ALPS,ROHM,Xilinx,Pulse,ON,Everlight and Freescale. Main products comprise IC,Modules,Potentiometer,IC Socket,Relay,Connector.Our parts cover such applications as commercial,industrial, and automotives areas.

We are looking forward to setting up business relationship with you and hope to provide you with the best service and solution. Let us make a better world for our industry!



## Contact us

Tel: +86-755-8981 8866 Fax: +86-755-8427 6832

Email & Skype: info@chipsmall.com Web: www.chipsmall.com

Address: A1208, Overseas Decoration Building, #122 Zhenhua RD., Futian, Shenzhen, China

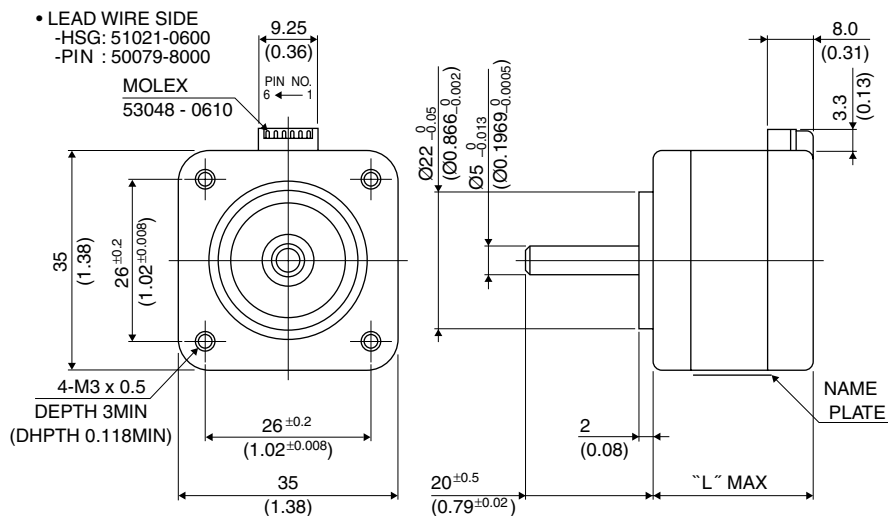


# 35 $\square$ 1.8°

# 14PM-M

1.8°

## ■ 外観図 Outline



Hybrid

UNIT: mm (inch)

結線表 PIN NO. vs. PHASE

相 (PHASE)	A	A COM	$\bar{A}$	B	B COM	$\bar{B}$
ピン番号 (PIN NO.)	4	5	6	3	2	1

	"L"
14PM-M2**	22(0.87)
14PM-M0**	26(1.02)
14PM-M1**	38(1.50)
14PM-M4**	53(2.09)

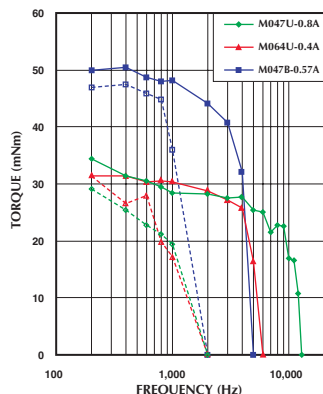
## ■ 仕様 Specifications

型式	ステップ角	ドライブ方式	定格電流	巻線抵抗	ホールディングトルク	インダクタンス	ロータイナーシャ	ディテントトルク	質量
Model	Step Angle (deg)	Drive Sequence	Rated Current (A)	Resistance (Ohms)	Holding Torque (mNm)	Inductance (mH)	Rotor Inertia (g·cm <sup>2</sup> )	Detent Torque (mNm)	Mass (g)
14PM-M047U	1.8	UNI-POLAR	0.8	2.4	34	1.5	8	5.8	120
14PM-M064U	1.8	UNI-POLAR	0.4	9.0	34	5.8	8	5.8	120
14PM-M144U	1.8	UNI-POLAR	1.0 (1.2)	2.7	125 (150)	1.6	11	19.6	200
14PM-M247U	1.8	UNI-POLAR	0.8	1.9	24	0.8	5	4.7	105
14PM-M264U	1.8	UNI-POLAR	0.4	7.0	24	3.1	5	4.7	105
14PM-M444U	1.8	UNI-POLAR	1.0 (1.2)	4.0	190 (230)	2.8	32	34.3	300
14PM-M047B	1.8	BI-POLAR	0.6	4.8	50	6.1	8	5.8	120
14PM-M144B	1.8	BI-POLAR	0.85	5.4	176	6.5	11	19.6	200
14PM-M247B	1.8	BI-POLAR	0.6	3.8	34	3.2	5	4.7	105
14PM-M444B	1.8	BI-POLAR	0.7 (0.9)	7.7	225 (264)	8.4	32	34.3	300

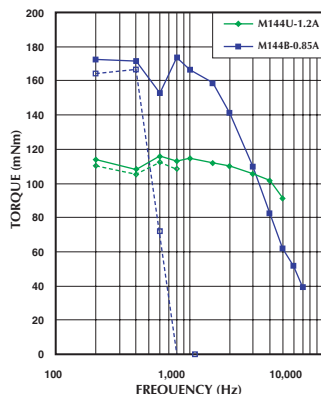
\*標準仕様コネクタタイプの定格電流値は最大1.0Aまでとなります。\*Maximum rated current for the standard connector type is 1.0A.  
\*( )内はリード線タイプの数値です。\*Values in brackets are for lead wire type.

## ■ トルク・スピード特性 Torque/Speed Characteristics

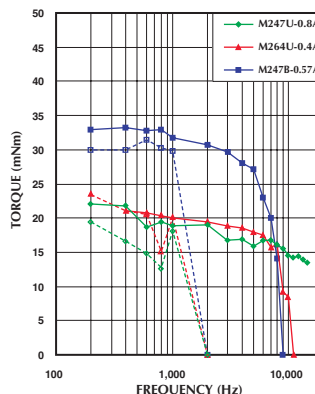
Model No: 14PM-M047U, M064U, M047B  
Driver: Chopper Dual  
Supply Voltage: 24.0 (Volt)



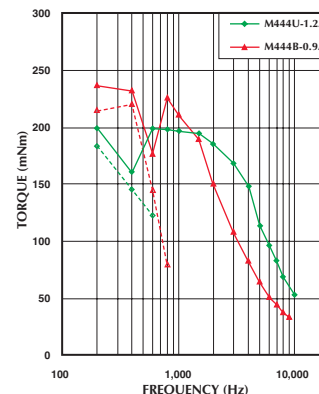
Model No: 14PM-M144U, M144B  
Driver: Chopper Dual  
Supply Voltage: 24.0 (Volt)



Model No: 14PM-M247U, M264U, M247B  
Driver: Chopper Dual  
Supply Voltage: 24.0 (Volt)



Model No: 14PM-M444U, M444B  
Driver: Chopper Dual  
Supply Voltage: 24.0 (Volt)



— : PULL OUT - - - : PULL IN