



Chipsmall Limited consists of a professional team with an average of over 10 year of expertise in the distribution of electronic components. Based in Hongkong, we have already established firm and mutual-benefit business relationships with customers from,Europe,America and south Asia,supplying obsolete and hard-to-find components to meet their specific needs.

With the principle of “Quality Parts,Customers Priority,Honest Operation,and Considerate Service”,our business mainly focus on the distribution of electronic components. Line cards we deal with include Microchip,ALPS,ROHM,Xilinx,Pulse,ON,Everlight and Freescale. Main products comprise IC,Modules,Potentiometer,IC Socket,Relay,Connector.Our parts cover such applications as commercial,industrial, and automotives areas.

We are looking forward to setting up business relationship with you and hope to provide you with the best service and solution. Let us make a better world for our industry!



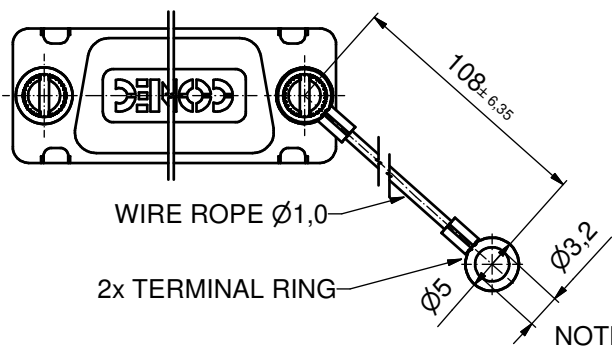
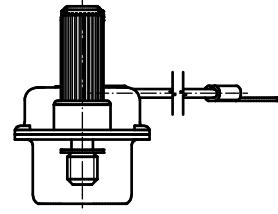
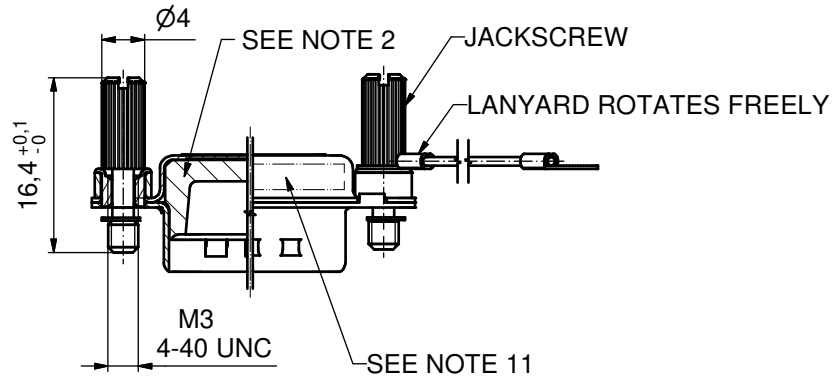
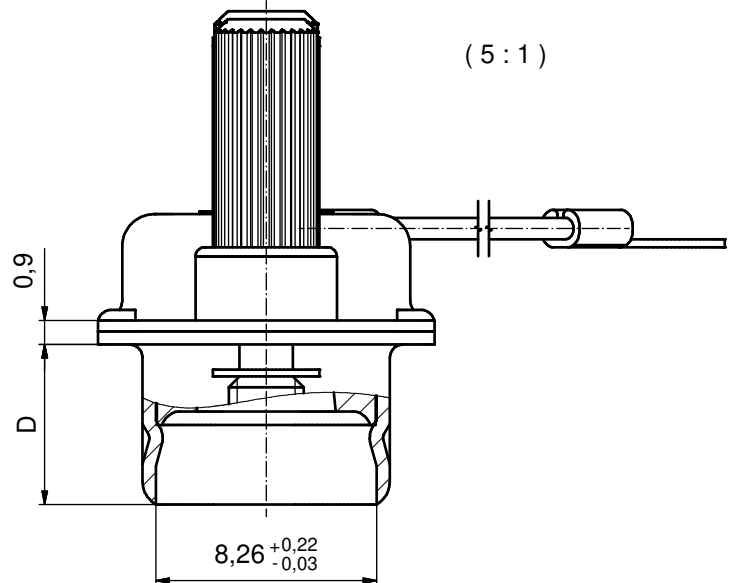
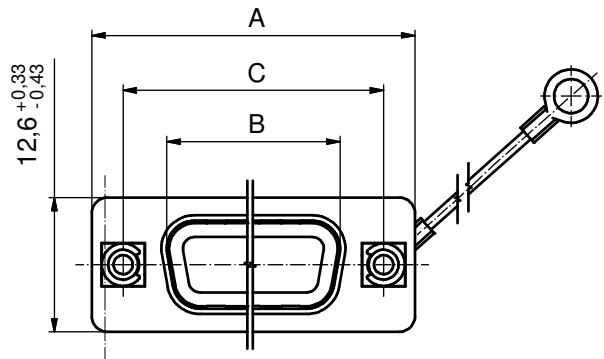
Contact us

Tel: +86-755-8981 8866 Fax: +86-755-8427 6832

Email & Skype: info@chipsmall.com Web: www.chipsmall.com

Address: A1208, Overseas Decoration Building, #122 Zhenhua RD., Futian, Shenzhen, China





No. of pos.	A -0,76	B +0,25	C	D -0,3
9	31,19	16,79	25,00 +0,12 -0,10	6,12
15	39,52	25,12	33,30 +0,15	6,12
25	53,42	38,84	47,04 ± 0,13	5,99
37	69,70	55,30	63,50 +0,13 -0,11	5,99

Directive 2002/95/EC
„RoHS“
Compliant

Part No. for socket connector		
No. of pos.	UNC 4-40	M 3
9	15-000010	15-000060
15	15-000020	15-000070
25	15-000030	15-000080
37	15-000040	15-000090

NOTES:

- METALSHHELLS: COPPER ALLOY; min. 315µm TIN over 40-80µm NICKEL
- TPE ETHYLENE PROPYLENE THERMOPLASTIC RUBBER SEAL
- IP RATING: THE WATER RESISTANT CAP MUST BE MOUNTED PROPERLY TO THE MATING CONNECTOR FOR IP 67
- THREADED INSERT: COPPER ALLOY; min. 200µm TIN over 80µm NICKEL
- COLLAR: COPPER ALLOY; min. 200µm TIN over 80µm NICKEL
- JACKSCREW: STAINLESS STEEL 1.4305
- WIRE ROPE: STAINLESS STEEL 1.4401
- RETAINING WASHER: STAINLESS STEEL 1.4122
- TERMINAL RING: UNINSULATED, COPPER ALLOY; min. 200µmTIN over 80µm NICKEL
- MAXIMUM TORQUE VALUE FOR THREAD: 6in.LB
- CONNECTOR IS PART MARKED: PART NO. CONEC ABC

APPROVAL # FREIGABE # DEBLOCAGE # AUTORIZACION # APPROVAL

CUSTOMER APPROVAL DATE:

NAME: TITLE:

COMPANY NAME:

APPROVAL # FREIGABE # DEBLOCAGE # AUTORIZACION # APPROVAL

THIS DRAWING MAY NOT BE COPIED OR REPRODUCED IN ANY WAY AND MAY NOT BE PASSED ON TO A THIRD PARTY WITHOUT WRITTEN PERMISSION. OWNERSHIP AND COPYRIGHT OF CONEC GmbH

DO NOT ALTER CAD DRAWING BY HAND		tolerance	dim. in mm
1 x b	A3023	28.05.08	Petker
a	Origin		
rev.	description	date	name

scale: 2:1 (5:1)

material: SEE NOTES

title: WATER RESISTANT SCREEN CAP
9-37pos. FOR SOCKET CONNECTOR
with threaded insert, jackscrew and wire rope

dwg no: Inventor 10

DIN-A3

sh: 1

part no: see table

