



Chipsmall Limited consists of a professional team with an average of over 10 year of expertise in the distribution of electronic components. Based in Hongkong, we have already established firm and mutual-benefit business relationships with customers from,Europe,America and south Asia,supplying obsolete and hard-to-find components to meet their specific needs.

With the principle of “Quality Parts,Customers Priority,Honest Operation,and Considerate Service”,our business mainly focus on the distribution of electronic components. Line cards we deal with include Microchip,ALPS,ROHM,Xilinx,Pulse,ON,Everlight and Freescale. Main products comprise IC,Modules,Potentiometer,IC Socket,Relay,Connector.Our parts cover such applications as commercial,industrial, and automotives areas.

We are looking forward to setting up business relationship with you and hope to provide you with the best service and solution. Let us make a better world for our industry!



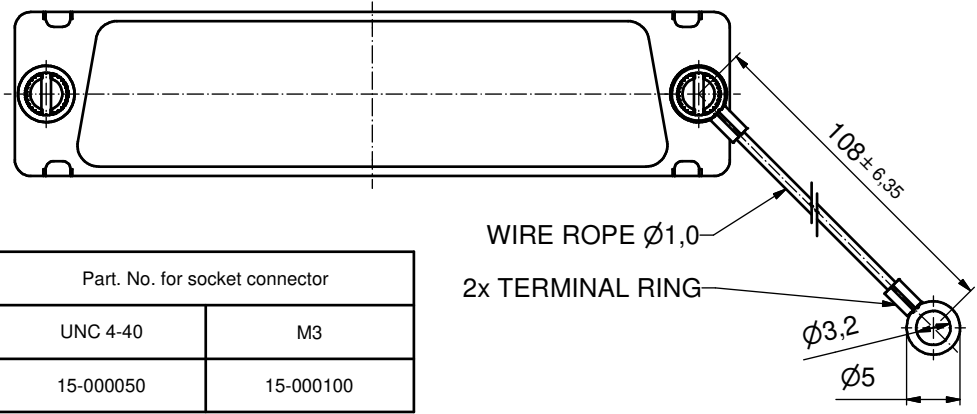
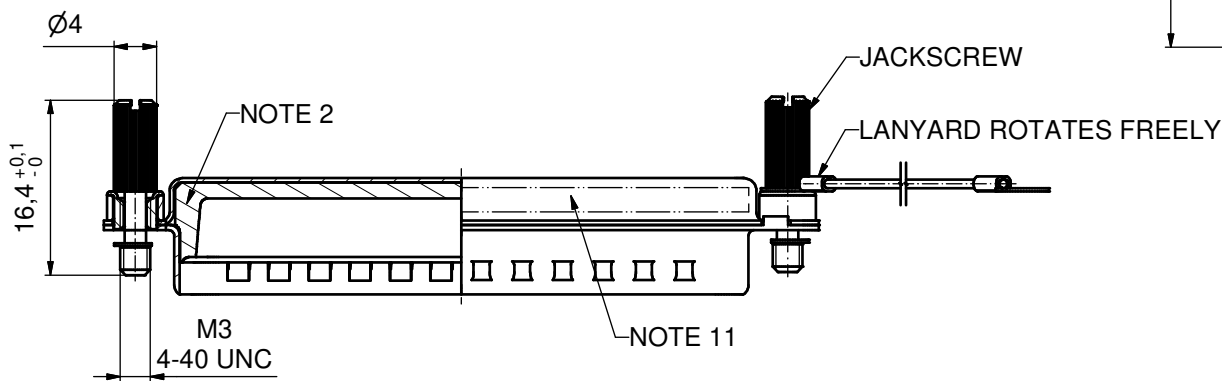
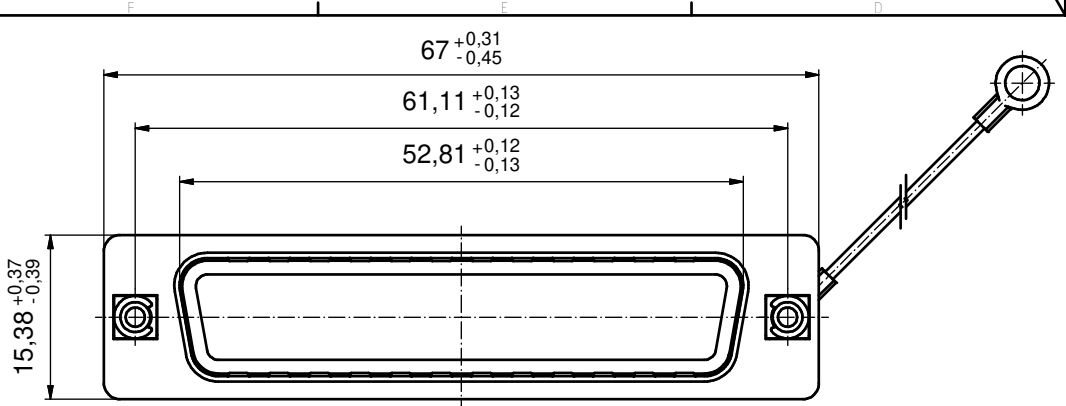
Contact us

Tel: +86-755-8981 8866 Fax: +86-755-8427 6832

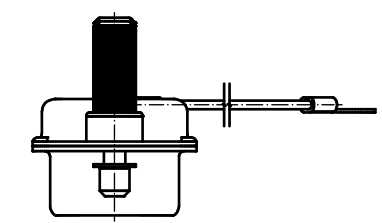
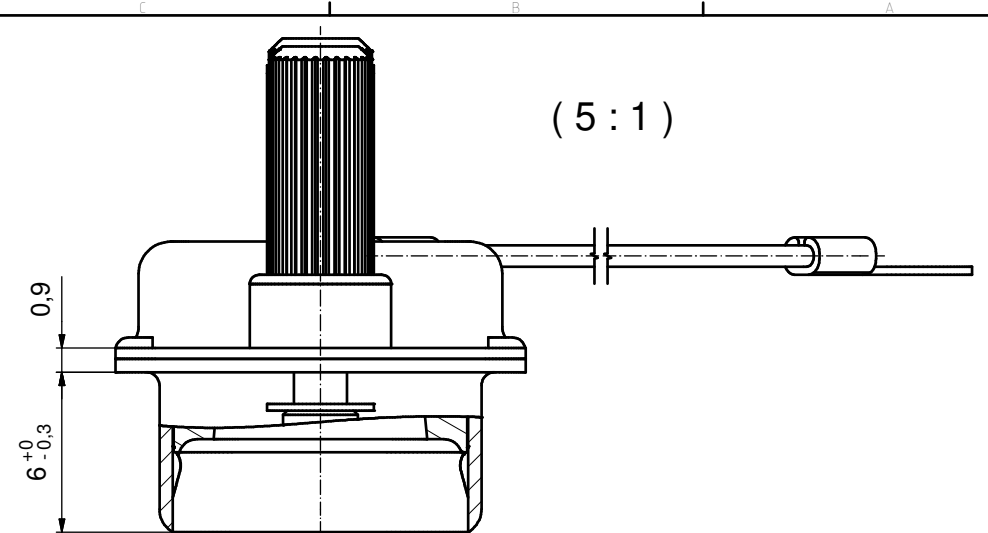
Email & Skype: info@chipsmall.com Web: www.chipsmall.com

Address: A1208, Overseas Decoration Building, #122 Zhenhua RD., Futian, Shenzhen, China





Part. No. for socket connector	
UNC 4-40	M3
15-000050	15-000100



- NOTES:**
- METALSHELLS: COPPER ALLOY; min. 315µin TIN over 40-80µin NICKEL
 - TPE ETHYLENE PROPYLENE THERMOPLASTIC RUBBER SEAL
 - IP RATING: THE WATER RESISTANT CAP MUST BE MOUNTED PROPERLY TO THE MATING CONNECTOR FOR IP 67
 - THREADED INSERT: COPPER ALLOY; min. 200µin TIN over 80µin NICKEL
 - COLLAR: COPPER ALLOY; min. 200µin TIN over 80µin NICKEL
 - JACKSCREW: STAINLESS STEEL 1.4305
 - WIRE ROPE: STAINLESS STEEL 1.4401
 - RETAINING WASHER: STAINLESS STEEL 1.4122
 - TERMINAL RING: UNINSULATED, COPPER ALLOY; min. 200µinTIN over 80µin NICKEL
 - MAXIMUM TORQUE VALUE FOR THREAD: 6in.LB
 - CONNECTOR IS PART MARKED: [PART NO. CONEC ABC]

Directive 2002/95/EC
"RoHS"
Compliant

THIS DRAWING MAY NOT BE COPIED OR REPRODUCED IN ANY WAY, AND MAY NOT BE PASSED ON TO A THIRD PARTY WITHOUT WRITTEN PERMISSION. OWNERSHIP AND COPYRIGHT OF CONEC GmbH DO NOT ALTER CAD DRAWING BY HAND	tolerance	ISO 2768-m	dim. in mm	scale:	2:1 (5:1)
	date	23.05.08	name	material:	SEE NOTES
	appd.	26.05.08	name	title:	WATER RESISTANT SCREEN CAP
	norm		name	50pos. FOR SOCKET CONNECTOR with threaded insert, jackscrew and wire rope	
d-old		norm	dwg no:	Inventor 10	DIN-A3
a	Origin	CONEC [®]		15K1A224	sh: 1
rev.	description			date	name