



Chipsmall Limited consists of a professional team with an average of over 10 year of expertise in the distribution of electronic components. Based in Hongkong, we have already established firm and mutual-benefit business relationships with customers from,Europe,America and south Asia,supplying obsolete and hard-to-find components to meet their specific needs.

With the principle of “Quality Parts,Customers Priority,Honest Operation,and Considerate Service”,our business mainly focus on the distribution of electronic components. Line cards we deal with include Microchip,ALPS,ROHM,Xilinx,Pulse,ON,Everlight and Freescale. Main products comprise IC,Modules,Potentiometer,IC Socket,Relay,Connector.Our parts cover such applications as commercial,industrial, and automotives areas.

We are looking forward to setting up business relationship with you and hope to provide you with the best service and solution. Let us make a better world for our industry!



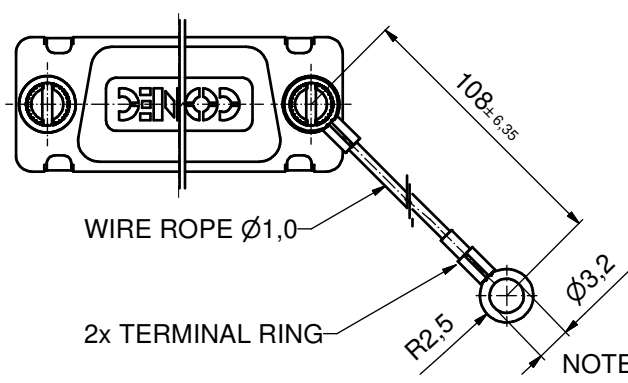
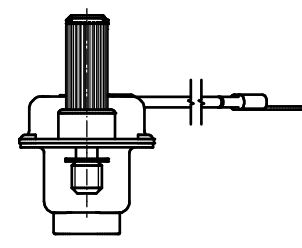
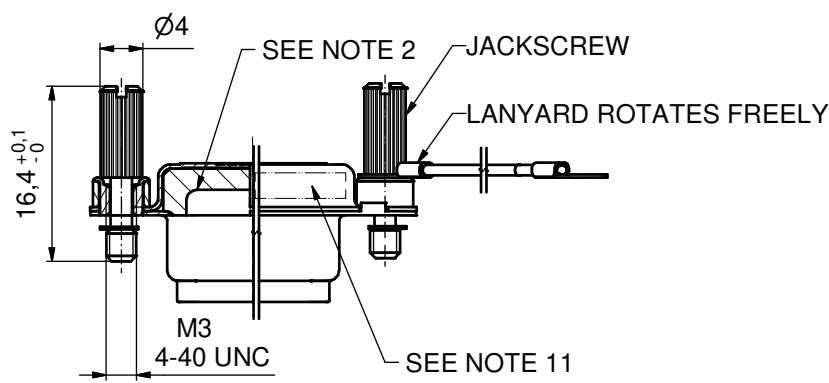
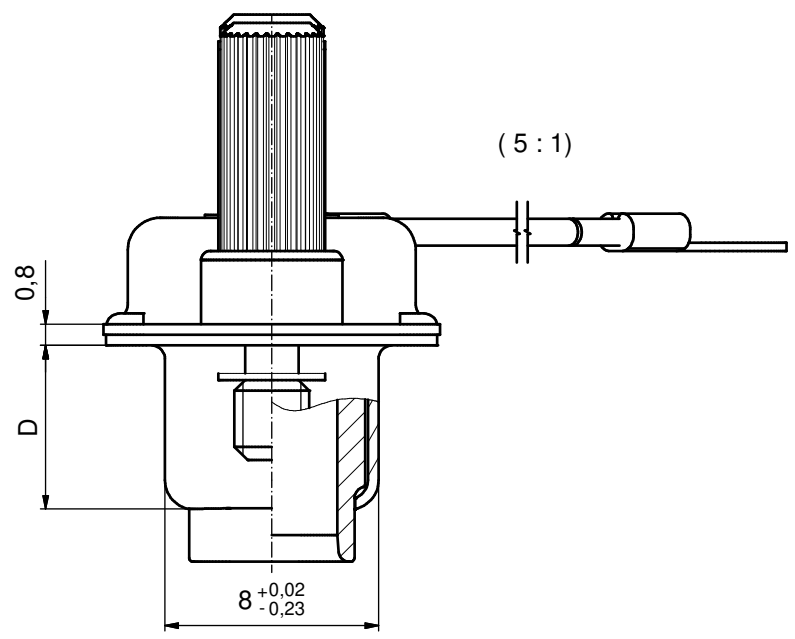
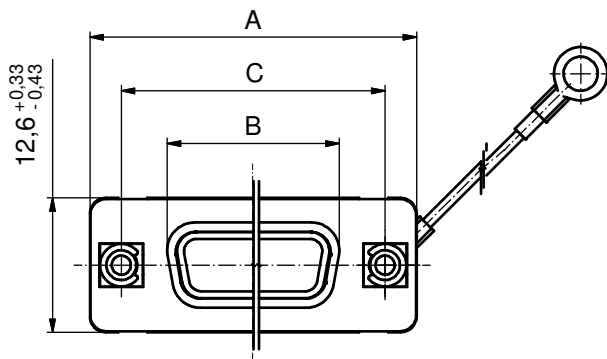
Contact us

Tel: +86-755-8981 8866 Fax: +86-755-8427 6832

Email & Skype: info@chipsmall.com Web: www.chipsmall.com

Address: A1208, Overseas Decoration Building, #122 Zhenhua RD., Futian, Shenzhen, China





No. of pos.	A _{-0,76}	B _{-0,25}	C	D _{-0,3}
9	31,19	16,46	25,00 ^{+0,12} _{-0,10}	6,12
15	39,52	24,79	33,30 ^{+0,15}	6,12
25	53,42	38,50	47,04 ± 0,13	5,99
37	69,70	54,96	63,50 ^{+0,13} _{-0,11}	5,99

NOTES:

1. METALSHIELDS: COPPER ALLOY; min. 315µin TIN over 40-80µin NICKEL
2. TPE ETHYLENE PROPYLENE THERMOPLASTIC RUBBER SEAL
3. IP RATING: THE WATER RESISTANT CAP MUST BE MOUNTED PROPERLY TO THE MATING CONNECTOR FOR IP 67
4. THREADED INSERT: COPPER ALLOY; min. 200µin TIN over 80µin NICKEL
5. COLLAR: COPPER ALLOY; min. 200µin TIN over 80µin NICKEL
6. JACKSCREW: STAINLESS STEEL 1.4305
7. WIRE ROPE: STAINLESS STEEL 1.4401
8. RETAINING WASHER: STAINLESS STEEL 1.4122
9. TERMINAL RING: UNINSULATED, COPPER ALLOY; min. 200µinTIN over 80µin NICKEL
10. MAXIMUM TORQUE VALUE FOR THREAD: 6in.LB
11. CONNECTOR IS PART MARKED: [PART NO. CONEC ABC]

Directive 2002/95/EC
„RoHS“
Compliant

Part No. for plug connector		
No. of pos.	UNC 4-40	M 3
9	15-000110	15-000160
15	15-000120	15-000170
25	15-000130	15-000180
37	15-000140	15-000190

APPROVAL # FREIGABE # DEBLOCAGE # AUTORIZACION # APPROVAL

CUSTOMER APPROVAL DATE:

NAME: TITLE:

COMPANY NAME:

APPROVAL # FREIGABE # DEBLOCAGE # AUTORIZACION # APPROVAL

THIS DRAWING MAY NOT BE COPIED OR REPRODUCED IN ANY WAY AND MAY NOT BE PASSED ON TO A THIRD PARTY WITHOUT WRITTEN PERMISSION. OWNERSHIP AND COPYRIGHT OF CONEC GmbH

DO NOT ALTER CAD DRAWING BY HAND

rev.	description	date	name
1 x c	Ä 3182	10.11.08	Petker
1 x b	A3023	28.05.08	Petker
a	Origin		

tolerance		dim. in mm	scale:
			2:1 (5:1)
			material: SEE NOTES
			title: WATER RESISTANT SCREEN CAP
			9-37pos. FOR PLUG CONNECTOR
			with threaded insert, jackscrew and wire rope
			dwg no: Inventor 10
			DIN-A3
			sh: 1
			part no: see table

