



Chipsmall Limited consists of a professional team with an average of over 10 year of expertise in the distribution of electronic components. Based in Hongkong, we have already established firm and mutual-benefit business relationships with customers from,Europe,America and south Asia,supplying obsolete and hard-to-find components to meet their specific needs.

With the principle of “Quality Parts,Customers Priority,Honest Operation,and Considerate Service”,our business mainly focus on the distribution of electronic components. Line cards we deal with include Microchip,ALPS,ROHM,Xilinx,Pulse,ON,Everlight and Freescale. Main products comprise IC,Modules,Potentiometer,IC Socket,Relay,Connector.Our parts cover such applications as commercial,industrial, and automotives areas.

We are looking forward to setting up business relationship with you and hope to provide you with the best service and solution. Let us make a better world for our industry!



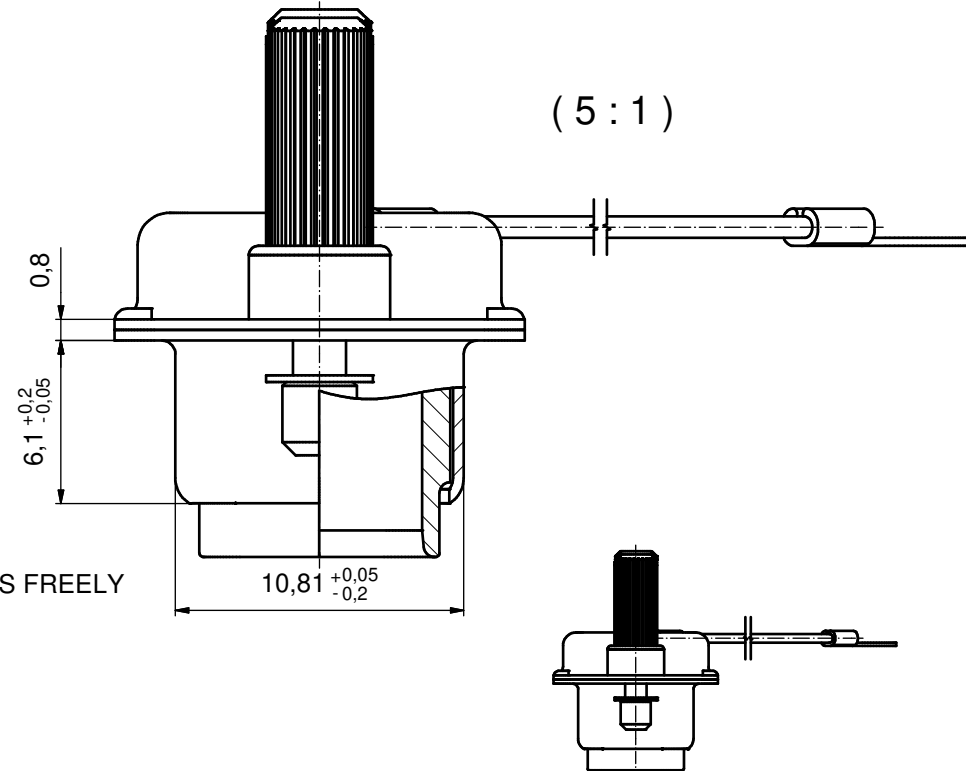
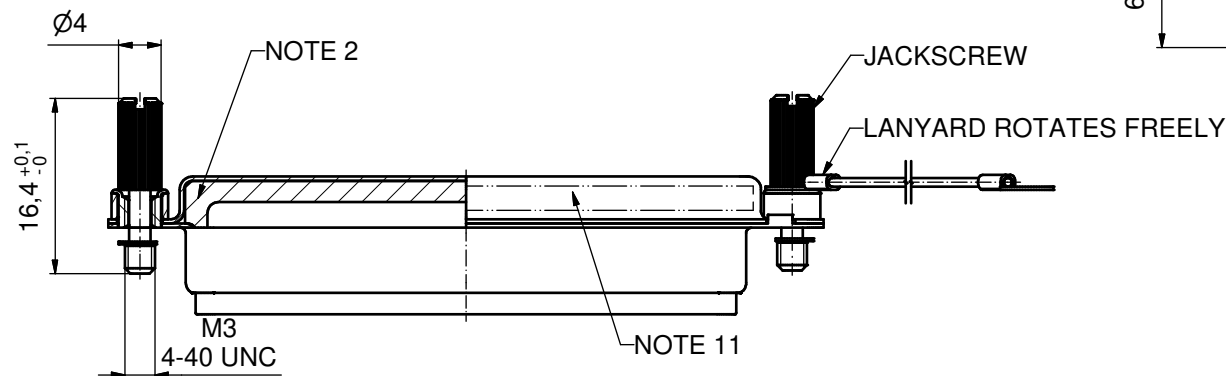
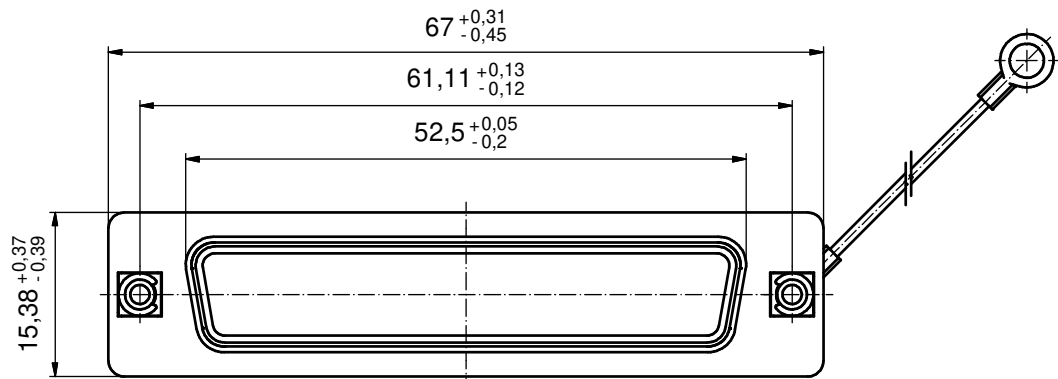
Contact us

Tel: +86-755-8981 8866 Fax: +86-755-8427 6832

Email & Skype: info@chipsmall.com Web: www.chipsmall.com

Address: A1208, Overseas Decoration Building, #122 Zhenhua RD., Futian, Shenzhen, China

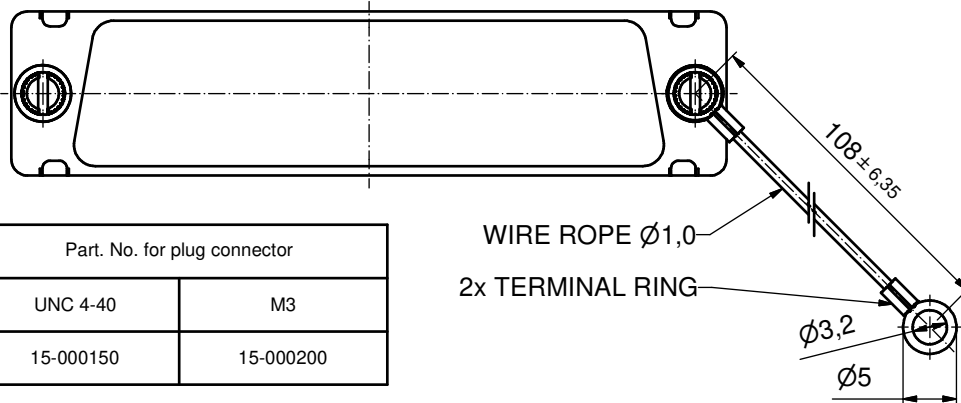




NOTES:

1. METALSHELLS: COPPER ALLOY; min. 315µin TIN over 40-80µin NICKEL
2. TPE ETHYLENE PROPYLENE THERMOPLASTIC RUBBER SEAL
3. IP RATING: THE WATER RESISTANT CAP MUST BE MOUNTED PROPERLY TO THE MATING CONNECTOR FOR IP 67
4. THREADED INSERT: COPPER ALLOY; min. 200µin TIN over 80µin NICKEL
5. COLLAR: COPPER ALLOY; min. 200µin TIN over 80µin NICKEL
6. JACKSCREW: STAINLESS STEEL 1.4305
7. WIRE ROPE: STAINLESS STEEL 1.4401
8. RETAINING WASHER: STAINLESS STEEL 1.4122
9. TERMINAL RING: UNINSULATED, COPPER ALLOY; min. 200µinTIN over 80µin NICKEL
10. MAXIMUM TORQUE VALUE FOR THREAD: 6in.LB
11. CONNECTOR IS PART MARKED: [PART NO. CONEC ABC]

Directive 2002/95/EC
"RoHS"
Compliant



Part. No. for plug connector	
UNC 4-40	M3
15-000150	15-000200

THIS DRAWING MAY NOT BE COPIED OR REPRODUCED IN ANY WAY, AND MAY NOT BE PASSED ON TO A THIRD PARTY WITHOUT WRITTEN PERMISSION. OWNERSHIP AND COPYRIGHT OF CONEC Gmbh DO NOT ALTER CAD DRAWING BY HAND	tolerance	ISO 2768-m	dim. in mm	scale:	2:1 (5:1)
	material:	SEE NOTES			
	date	name	title:		
	drawn	26.05.08	Petker	WATER RESISTANT SCREEN CAP	
appd.	26.05.08	Fischer	50pos. FOR PLUG CONNECTOR		
norm	with threaded insert, jackscrew and wire rope				
d-old	dwg no: Inventor 10				
a	Origin	CONEC			DIN-A3
rev.	description	date	name	part no:	15K1A225
					sh: 1
					see table