



Chipsmall Limited consists of a professional team with an average of over 10 year of expertise in the distribution of electronic components. Based in Hongkong, we have already established firm and mutual-benefit business relationships with customers from,Europe,America and south Asia,supplying obsolete and hard-to-find components to meet their specific needs.

With the principle of “Quality Parts,Customers Priority,Honest Operation,and Considerate Service”,our business mainly focus on the distribution of electronic components. Line cards we deal with include Microchip,ALPS,ROHM,Xilinx,Pulse,ON,Everlight and Freescale. Main products comprise IC,Modules,Potentiometer,IC Socket,Relay,Connector.Our parts cover such applications as commercial,industrial, and automotives areas.

We are looking forward to setting up business relationship with you and hope to provide you with the best service and solution. Let us make a better world for our industry!



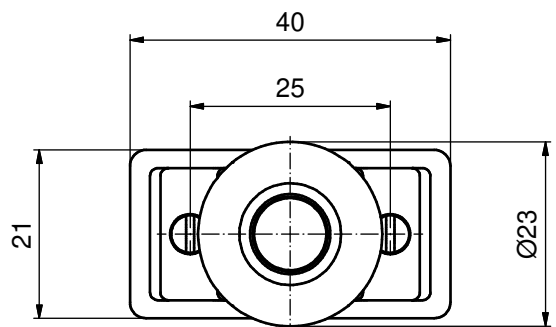
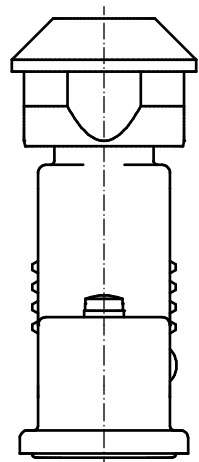
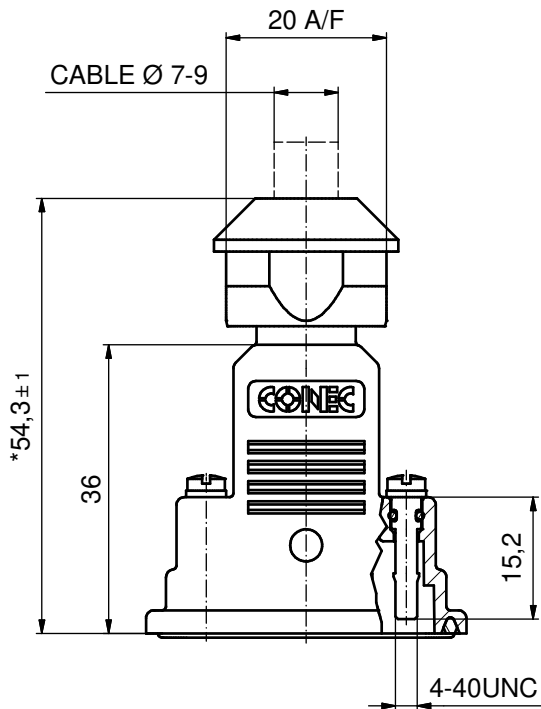
Contact us

Tel: +86-755-8981 8866 Fax: +86-755-8427 6832

Email & Skype: info@chipsmall.com Web: www.chipsmall.com

Address: A1208, Overseas Decoration Building, #122 Zhenhua RD., Futian, Shenzhen, China

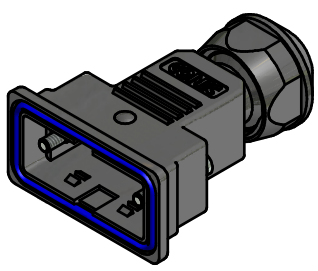




- NOTES:**
- MATERIALS:**
 HOOD: PBT GF UL94 V-0 BLACK
 FRONTSEALING: SILICONE VMQ BLUE
 SCREW: STAINLESS STEEL
 O-RING: NBR BLACK
 - TEMPERATURE RANGE:** -30°C TO +90°C
 - RECOMMENDED TORQUE FOR SCREW:**
 35Ncm (3.1 in.LB)
 MAX. TORQUE: 68Ncm (6 in.LB)
 - SINGLE PACKED**

* COMPLETELY TIGHTENED

(1 : 1)



Directive 2002/95/EC RoHS compliant

THIS DRAWING MAY NOT BE COPIED OR REPRODUCED IN ANY WAY, AND MAY NOT BE PASSED ON TO A THIRD PARTY WITHOUT WRITTEN PERMISSION. OWNERSHIP AND COPYRIGHT OF CONEC GmbH DO NOT ALTER CAD DRAWING BY HAND	tolerance ± 0,3 unless otherw. specified		dim. in mm		scale: 1,5:1 (1:1)
	date		name		material: SEE TABLE
	drawn	07.02.2014	Heinrich		title: WATER RESISTANT D-SUB HOOD (b) 9 pos. with short screw 4-40UNC thread/ stainless steel
	appd.	07.02.2014	Huether		
	norm				
rev.	description	date	name	d-old	dwg no:
b	Ä5061	07.02.2014	Heinrich		15K1A1153
a	Origin				
CONEC					DIN-A3
					sh: 1
					part no: (b) 15-004710