



Chipsmall Limited consists of a professional team with an average of over 10 year of expertise in the distribution of electronic components. Based in Hongkong, we have already established firm and mutual-benefit business relationships with customers from,Europe,America and south Asia,supplying obsolete and hard-to-find components to meet their specific needs.

With the principle of “Quality Parts,Customers Priority,Honest Operation,and Considerate Service”,our business mainly focus on the distribution of electronic components. Line cards we deal with include Microchip,ALPS,ROHM,Xilinx,Pulse,ON,Everlight and Freescale. Main products comprise IC,Modules,Potentiometer,IC Socket,Relay,Connector.Our parts cover such applications as commercial,industrial, and automotives areas.

We are looking forward to setting up business relationship with you and hope to provide you with the best service and solution. Let us make a better world for our industry!



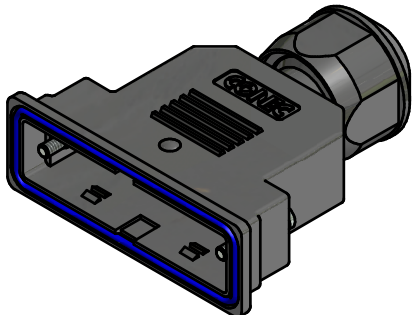
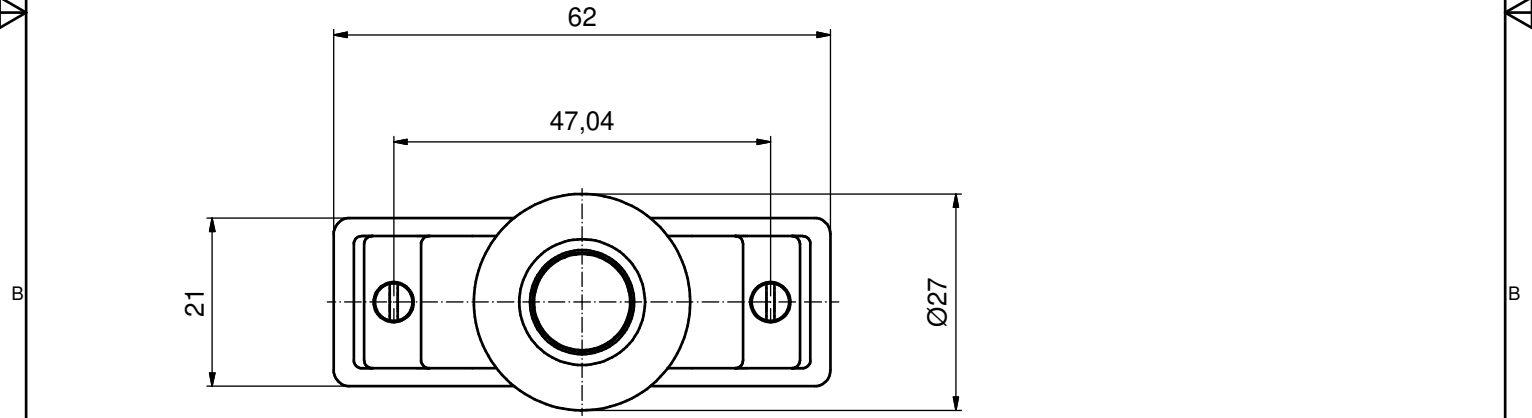
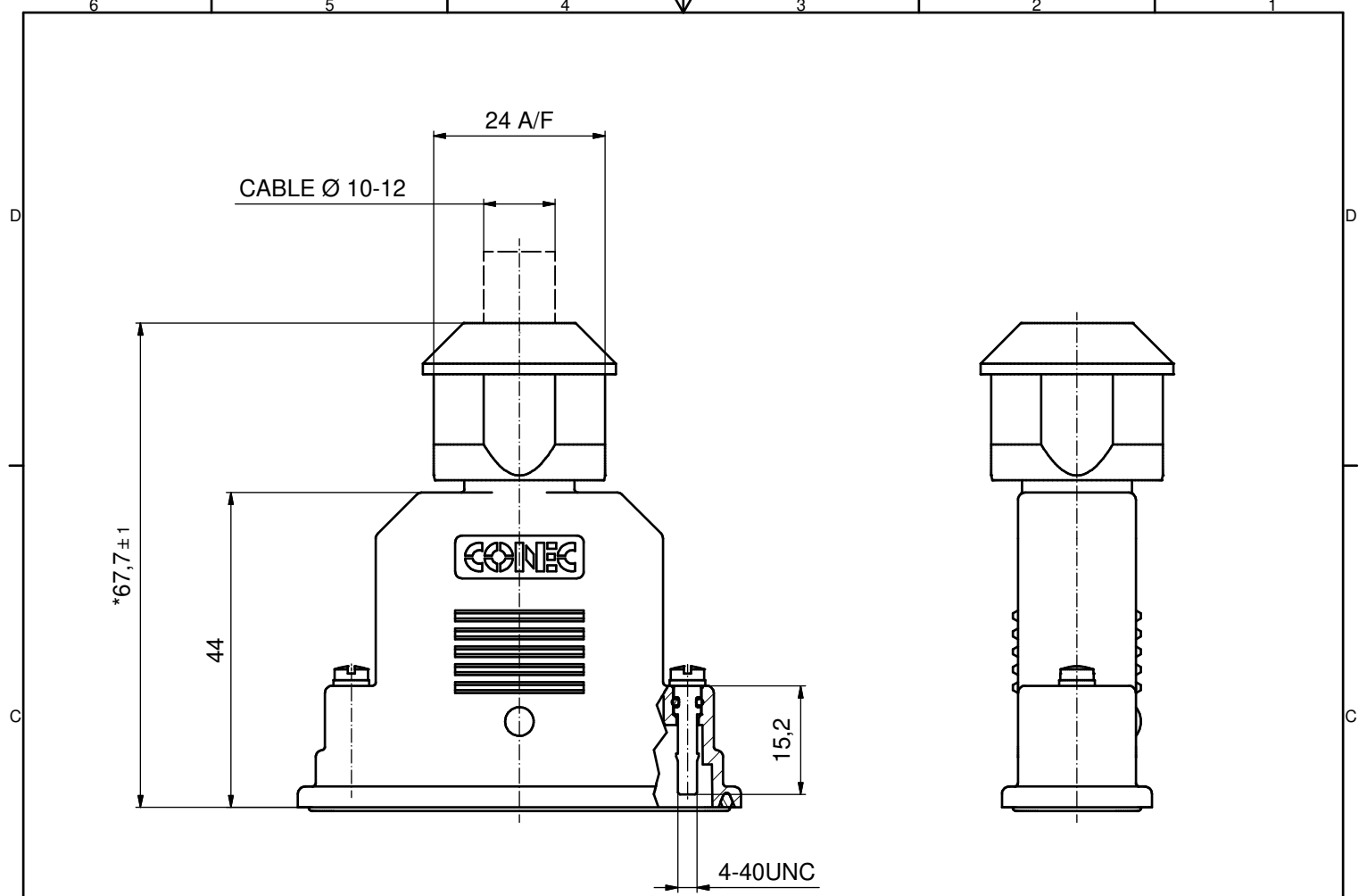
Contact us

Tel: +86-755-8981 8866 Fax: +86-755-8427 6832

Email & Skype: info@chipsmall.com Web: www.chipsmall.com

Address: A1208, Overseas Decoration Building, #122 Zhenhua RD., Futian, Shenzhen, China





* COMPLETELY TIGHTENED

- NOTES:**
- MATERIALS:**
 HOOD: PBT GF UL94 V-0 BLACK
 FRONTSEALING: SILICONE VMQ BLUE
 SCREW: STAINLESS STEEL
 O-RING: NBR BLACK
 - TEMPERATURE RANGE: -30°C TO +90°C
 - RECOMMENDED TORQUE FOR SCREW:
 35Ncm (3.1 in.LB)
 MAX. TORQUE: 68Ncm (6 in.LB)
 - SINGLE PACKED

Directive 2002/95/EC RoHS compliant

THIS DRAWING MAY NOT BE COPIED OR REPRODUCED IN ANY WAY, AND MAY NOT BE PASSED ON TO A THIRD PARTY WITHOUT WRITTEN PERMISSION. OWNERSHIP AND COPYRIGHT OF CONEC GmbH DO NOT ALTER CAD DRAWING BY HAND	tolerance		±0,3 unless otherw. specified		dim. in mm	scale:	1,5:1 (1:1)			
						material:	SEE NOTES			
	drawn	07.02.2014	Heinrich		title:					
	appd.	07.02.2014	Huether		WATER RESISTANT D-SUB HOOD					
						25 POS.				
						SHORT SCREW 4-40UNC STAINLESS STEEL				
						dwg no:				
						part no:		15K1A1437		
						part no:		15-004730		
								DIN-A3		
							sh: 1			

