



Chipsmall Limited consists of a professional team with an average of over 10 year of expertise in the distribution of electronic components. Based in Hongkong, we have already established firm and mutual-benefit business relationships with customers from,Europe,America and south Asia,supplying obsolete and hard-to-find components to meet their specific needs.

With the principle of “Quality Parts,Customers Priority,Honest Operation,and Considerate Service”,our business mainly focus on the distribution of electronic components. Line cards we deal with include Microchip,ALPS,ROHM,Xilinx,Pulse,ON,Everlight and Freescale. Main products comprise IC,Modules,Potentiometer,IC Socket,Relay,Connector.Our parts cover such applications as commercial,industrial, and automotives areas.

We are looking forward to setting up business relationship with you and hope to provide you with the best service and solution. Let us make a better world for our industry!



## Contact us

Tel: +86-755-8981 8866 Fax: +86-755-8427 6832

Email & Skype: info@chipsmall.com Web: www.chipsmall.com

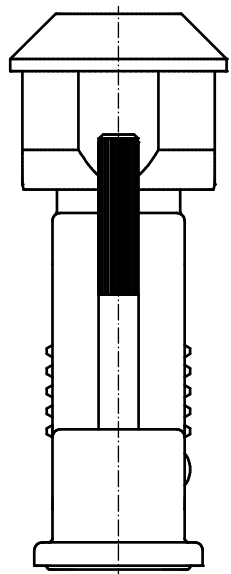
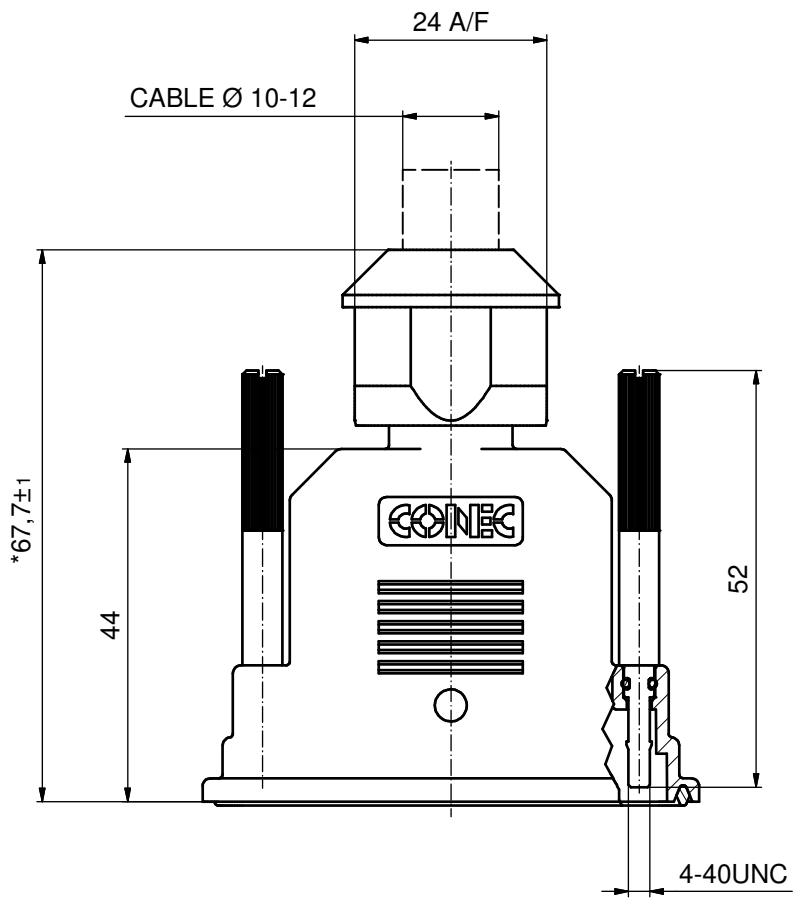
Address: A1208, Overseas Decoration Building, #122 Zhenhua RD., Futian, Shenzhen, China



6 5 4 3 2 1

D

D

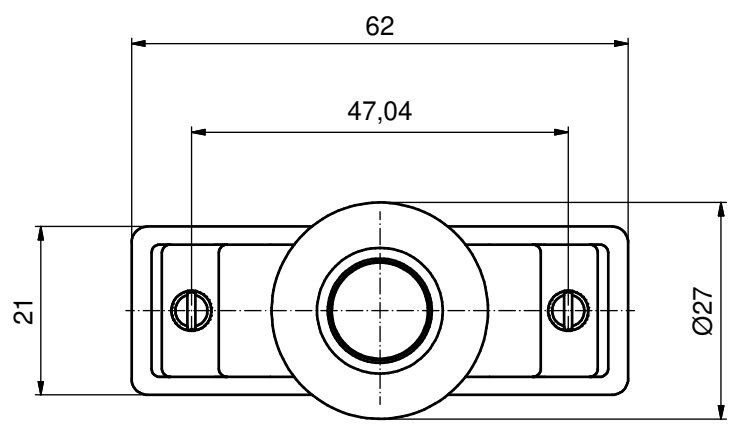


C

C

B

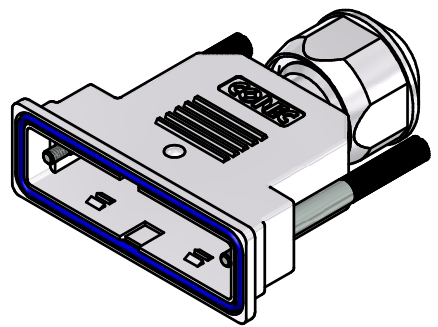
B



**NOTES:**

- MATERIALS:**  
 HOOD, GLAND, COMPR.-RING: ABS UL94 V-0 METALLIZED  
 FRONTSEALING: SILICONE VMQ BLUE  
 CABLE SEALING: NBR BLACK  
 JACK-SCREW: STAINLESS STEEL  
 O-RING: NBR BLACK  
 CABLE STRAIN RELIEF: STEEL, NI-PLATED  
 SCREWS: STEEL, NI-PLATED  
 SHIELDING BRACKET: CU-ALLOY, NI-PLATED
- TEMPERATURE RANGE:** -30°C TO +80°C
- RECOMMENDED TORQUE FOR SCREW:**  
 35Ncm (3.1 in.LB)  
 MAX. TORQUE: 68Ncm (6 in.LB)
- SINGLE PACKED**

\* COMPLETELY TIGHTENED



Directive 2002/95/EC RoHS compliant

A

A

THIS DRAWING MAY NOT BE COPIED OR REPRODUCED IN ANY WAY, AND MAY NOT BE PASSED ON TO A THIRD PARTY WITHOUT WRITTEN PERMISSION. OWNERSHIP AND COPYRIGHT OF CONEC GmbH DO NOT ALTER CAD DRAWING BY HAND				tolerance	dim. in mm	scale:	1,5:1 (1:1)	
				±0,3 unless otherw. specified			material:	SEE TABLE
				date	name	title:		
				drawn	07.02.2014	Heinrich	WATER RESISTANT D-SUB HOOD	
				appd.	07.02.2014	Huether	25 pos. shielded	
				norm			4-40UNC jackscrew / stainless steel	
				d-old	15K1A1154		dwg no:	
	1 x b	Ä 5092	12.03.14	Heinrich			part no:	15K1A1440
	a	Origin						DIN-A3
	rev.	description	date	name				sh: 1
				part no:			15-004780	

6 5 4 3 2 1