



Chipsmall Limited consists of a professional team with an average of over 10 year of expertise in the distribution of electronic components. Based in Hongkong, we have already established firm and mutual-benefit business relationships with customers from,Europe,America and south Asia,supplying obsolete and hard-to-find components to meet their specific needs.

With the principle of “Quality Parts,Customers Priority,Honest Operation,and Considerate Service”,our business mainly focus on the distribution of electronic components. Line cards we deal with include Microchip,ALPS,ROHM,Xilinx,Pulse,ON,Everlight and Freescale. Main products comprise IC,Modules,Potentiometer,IC Socket,Relay,Connector.Our parts cover such applications as commercial,industrial, and automotives areas.

We are looking forward to setting up business relationship with you and hope to provide you with the best service and solution. Let us make a better world for our industry!



## Contact us

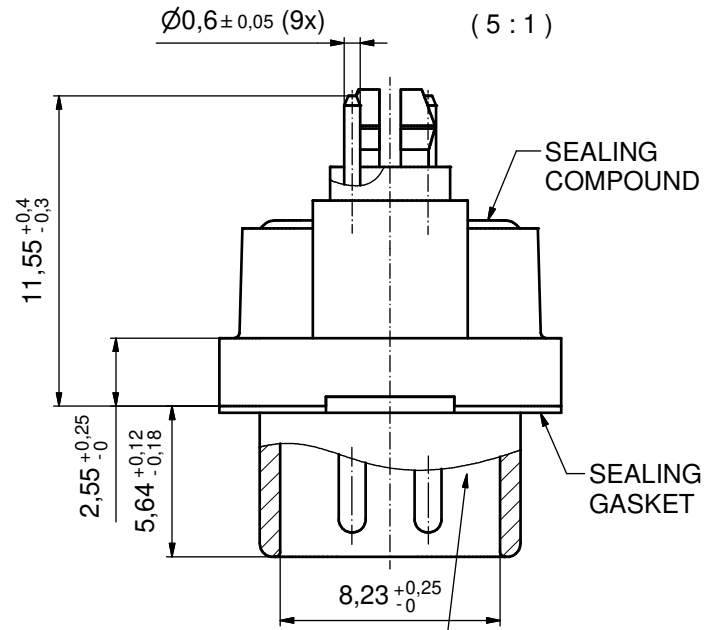
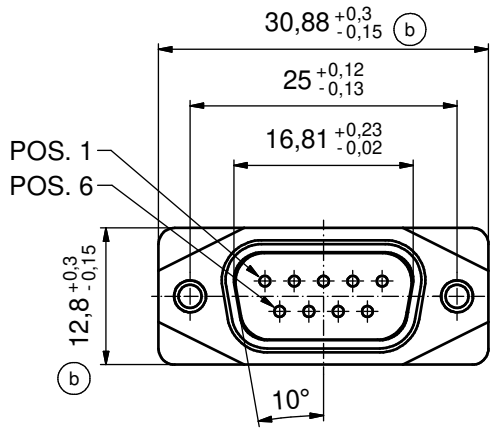
Tel: +86-755-8981 8866 Fax: +86-755-8427 6832

Email & Skype: info@chipsmall.com Web: www.chipsmall.com

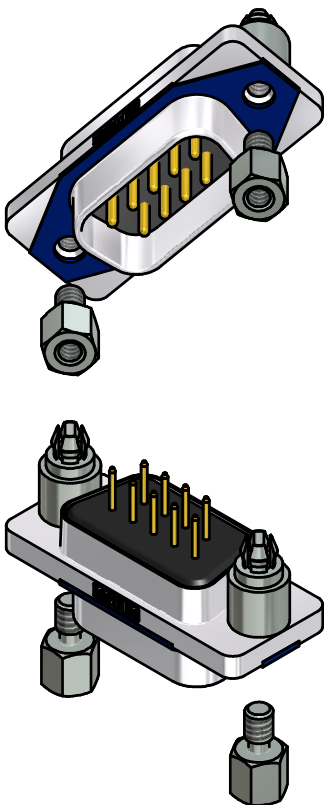
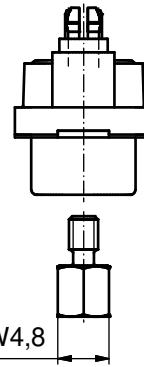
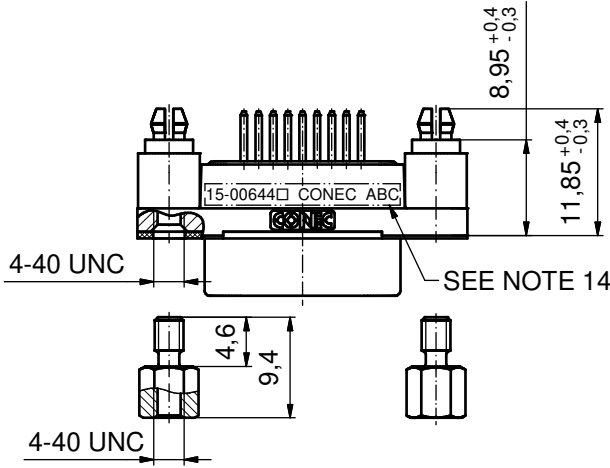
Address: A1208, Overseas Decoration Building, #122 Zhenhua RD., Futian, Shenzhen, China



AT ALL TIMES WATER RESISTANT CONNECTORS NOT IN USE SHOULD BE COVERED WITH A CONEC WATER RESISTANT CAP OR WATER TIGHT HOOD.



RUBBER GASKET PLACED ON TOP SURFACE OF MALE INSULATOR



RoHS compliant

(c)

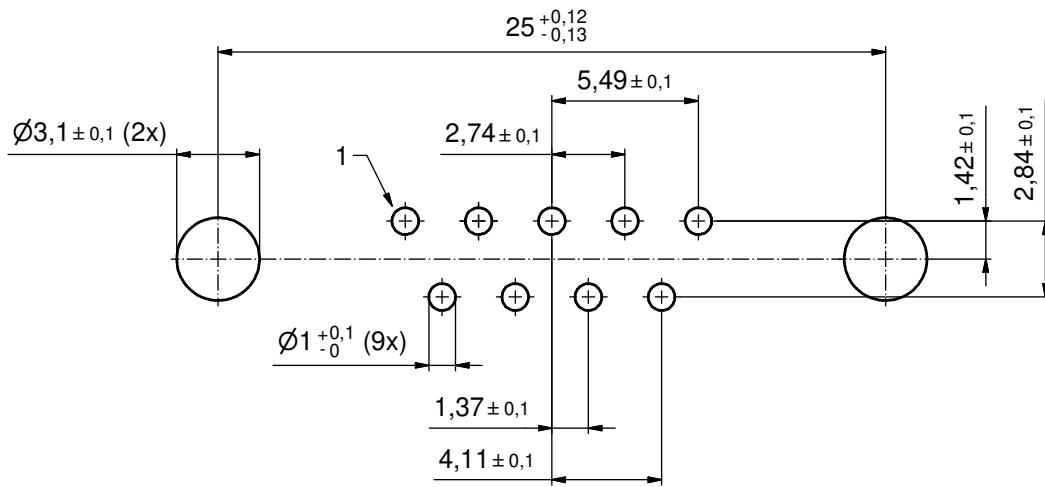
NOTES:

1. FOR WAVESOLDERING (SOLDER BATH TEMPERATURE 265°C FOR 8 SEC. AND SOLDER PREHEAT 150°C FOR 180 SEC.)
2. IP RATING: IP 67
3. SEALED TO WITHSTAND PRESSURE UP TO 1,45 PSI FOR 30 MINUTES AFTER SOLDERING
4. METAL SHELL: ZINC DIE CAST; min. 50µm NICKEL PLATING over COPPER
5. INSULATORS: PBT GF UL 94 V-0; BLACK
6. SEALING GASKET: SILICONE; BLUE
7. RUBBER GASKET: TPE; BLACK
8. SEALING COMPOUND: EPOXY RESIN UL 94 V-0; BLACK
9. CONTACTS: COPPER ALLOY; PLATING (SEE PART-NO.):  
 PLEASE ADD 1 for 30µm HARD GOLD over min. 50µm NICKEL  
 PLEASE ADD 3 for GOLD FLASH over NICKEL
10. REAR SPACER CLIPS: COPPER ALLOY; min. 200µm TIN over 80µm NICKEL  
 PCB-HOLE: Ø3,1 ± 0,1mm; PCB THICKNESS 1,6mm
11. HEXLOCKING SCREWS: STAINLESS STEEL
12. P.C.B. HOLE DRILLINGS and RECOMMENDED PANEL CUT-OUT ON SHEET 2
13. RECOMMENDED TORQUE FOR MOUNTING SCREW  
 35Ncm (3.1 in.LB) / max. 67Ncm (6 in.LB)
14. CONNECTOR IS PART MARKED: 15-00644 CONEC ABC (see note 9)

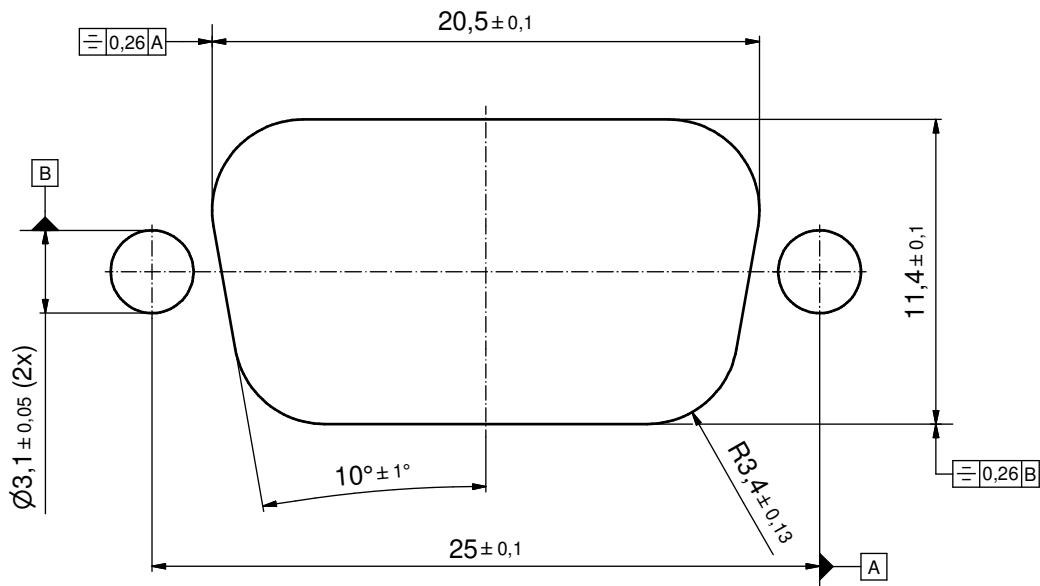
|   |             |          |         |            |          |              |                           |  |        |
|---|-------------|----------|---------|------------|----------|--------------|---------------------------|--|--------|
| THIS DRAWING MAY NOT BE COPIED OR REPRODUCED IN ANY WAY, AND MAY NOT BE PASSED ON TO A THIRD PARTY WITHOUT WRITTEN PERMISSION. OWNERSHIP AND COPYRIGHT OF CONEC GmbH DO NOT ALTER CAD DRAWING BY HAND |             |          |         | tolerance  |          |              | scale:                    | 2:1 (5:1)  |        |
|   |             |          |         | dim. in mm |          |              | material:                 | SEE NOTES  |        |
|   |             |          |         | date       | name     | title:       |                           |  |        |
|   |             |          |         | drawn      | 10.09.14 | Lehmenkühler | D-SUB MALE                |  |        |
|   |             |          |         | appd.      | 26.01.15 | Fischer      | 9pos. SOLDER PIN STRAIGHT |  |        |
|   |             |          |         | norm       |          |              |                           | with closed 4-40 UNC thread and rear spacer clip |        |
| 1 x c   | Ä5827       | 25.09.15 | Unkrüer | d-old      |          |              |                           | dwg no:  | DIN-A3 |
| 2 x b   | Ä5800       | 04.09.15 | M. H.   |            |          |              | sh: 1                     |  |        |
| a   | Original    |          |         |            |          |              | 15K1A1545                 |  |        |
| rev.  | description | date     | name    | part no:   |          |              | 15-00644 (see note 9)     |  |        |

# P.C.B. HOLE DRILLINGS

( P.C.B. TOP SIDE )



## RECOMMENDED PANEL CUT-OUT



|   |       |          |                                      |                           |  |                       |
|---|-------|----------|--------------------------------------|---------------------------|--|-----------------------|
| THIS DRAWING MAY NOT BE COPIED OR REPRODUCED IN ANY WAY, AND MAY NOT BE PASSED ON TO A THIRD PARTY WITHOUT WRITTEN PERMISSION. OWNERSHIP AND COPYRIGHT OF CONEC GmbH DO NOT ALTER CAD DRAWING BY HAND |       |          |                                      | tolerance                 |  | scale: 5:1            |
|   |       |          |                                      | dim. in mm                |  | material: SEE SHEET 1 |
|   | drawn | 10.09.14 | Lehmenkühler                         | title:                    |  |                       |
|   | appd. | 26.01.15 | Fischer                              | P.C.B. HOLE DRILLINGS     |  |                       |
|   | norm  |          |                                      | RECOMMENDED PANEL CUT-OUT |  |                       |
| d-old   |       |          | D-SUB MALE 9pos. SOLDER PIN STRAIGHT |                           |  |                       |
| rev.  | a     | Original | <b>CONEC</b> <sup>®</sup>            |                           |  | dwg no:               |
| description   |       |          |                                      |                           |  | 15K1A1545             |
| date  |       |          | part no: SEE SHEET 1                 |                           |  | DIN-A3                |
| name  |       |          |                                      |                           |  | sh: 2                 |