



Chipsmall Limited consists of a professional team with an average of over 10 year of expertise in the distribution of electronic components. Based in Hongkong, we have already established firm and mutual-benefit business relationships with customers from,Europe,America and south Asia,supplying obsolete and hard-to-find components to meet their specific needs.

With the principle of “Quality Parts,Customers Priority,Honest Operation,and Considerate Service”,our business mainly focus on the distribution of electronic components. Line cards we deal with include Microchip,ALPS,ROHM,Xilinx,Pulse,ON,Everlight and Freescale. Main products comprise IC,Modules,Potentiometer,IC Socket,Relay,Connector.Our parts cover such applications as commercial,industrial, and automotives areas.

We are looking forward to setting up business relationship with you and hope to provide you with the best service and solution. Let us make a better world for our industry!



Contact us

Tel: +86-755-8981 8866 Fax: +86-755-8427 6832

Email & Skype: info@chipsmall.com Web: www.chipsmall.com

Address: A1208, Overseas Decoration Building, #122 Zhenhua RD., Futian, Shenzhen, China

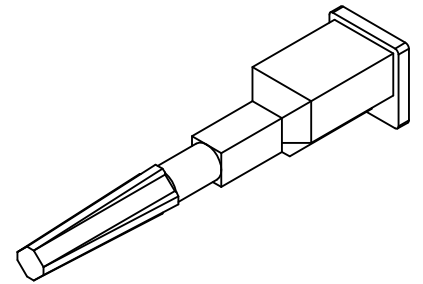


PART NO.	ENG. NO.	MATERIAL (SEE NOTE 1)	COLOR (SEE NOTE 1)
15-04-0211	42232-BA	B	A

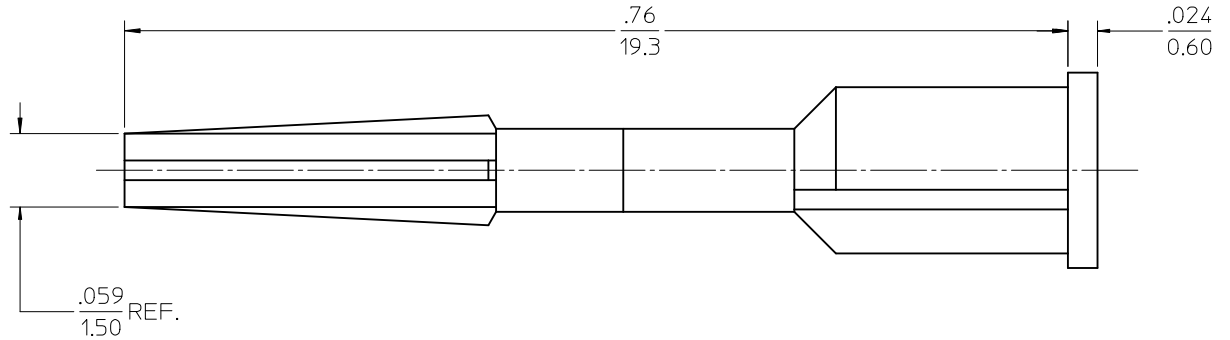
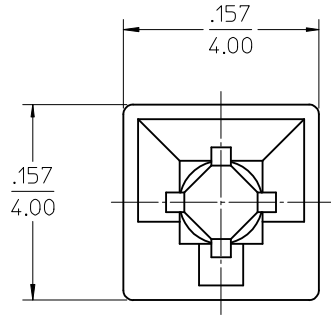
LEGEND

42232-***

BASE NO. _____
 MATERIAL _____
 COLOR _____



ISO VIEW
SCALE 5:1



NOTES:

1. MATERIAL: "B"=NYLON 6/6, UL 94V-0; COLOR: "A"=NATURAL
2. FINISH: NONE
3. PRODUCT SPECIFICATION: NONE
4. PACKAGING: PK-42232-001.
5. THIS PART FOR USE WITH MOLEX RECEPTACLE NO. 5557, 30067 AND 42474.
6. KEY TO BE INSERTED FROM WIRE ENTRY SIDE OF RECEPTACLE HOUSING.
7. PART CONFORMS TO CLASS "B" REQUIREMENTS OF COSMETIC SPECIFICATION PS-45499-002.

ADDED PK-42232-001 EC NO: UCP2010-2159 DRWN: J JAGUILAR 2010/02/25 CHKD: J BELL 2010/02/25 APPR: FSMITH 2010/03/08	DESCRIPTION REV 1	QUALITY SYMBOLS	GENERAL TOLERANCES (UNLESS SPECIFIED)	DIMENSION STYLE	SCALE	DESIGN UNITS	THIRD ANGLE PROJECTION
		▼=0 ▽=0	mm INCH 4 PLACES ± --- ± --- 3 PLACES ± --- ± .010 2 PLACES ± 0.25 ± .015 1 PLACE ± 0.38 ± --- ANGULAR ± 1/2°	IN/MM DRAWN BY DATE GEP 1992/03/31 CHECKED BY DATE R JF 1992/03/31 APPROVED BY DATE FSMITH 2010/03/08	10:1 METRIC	THIRD ANGLE PROJECTION	
		DRAFT WHERE APPLICABLE MUST REMAIN WITHIN DIMENSIONS	MATERIAL NO. SEE CHART	TITLE POLARIZING KEY FOR MINI-FIT JR. SERIES RECEPTACLE	MOLEX INCORPORATED	SHEET NO. 1 OF 1	
		SIZE B	THIS DRAWING CONTAINS INFORMATION THAT IS PROPRIETARY TO MOLEX INCORPORATED AND SHOULD NOT BE USED WITHOUT WRITTEN PERMISSION	DOCUMENT NO. SD-42232-***	MOLEX INCORPORATED		