



Chipsmall Limited consists of a professional team with an average of over 10 year of expertise in the distribution of electronic components. Based in Hongkong, we have already established firm and mutual-benefit business relationships with customers from,Europe,America and south Asia,supplying obsolete and hard-to-find components to meet their specific needs.

With the principle of "Quality Parts,Customers Priority,Honest Operation,and Considerate Service",our business mainly focus on the distribution of electronic components. Line cards we deal with include Microchip,ALPS,ROHM,Xilinx,Pulse,ON,Everlight and Freescale. Main products comprise IC,Modules,Potentiometer,IC Socket,Relay,Connector.Our parts cover such applications as commercial,industrial, and automotives areas.

We are looking forward to setting up business relationship with you and hope to provide you with the best service and solution. Let us make a better world for our industry!



## Contact us

Tel: +86-755-8981 8866 Fax: +86-755-8427 6832

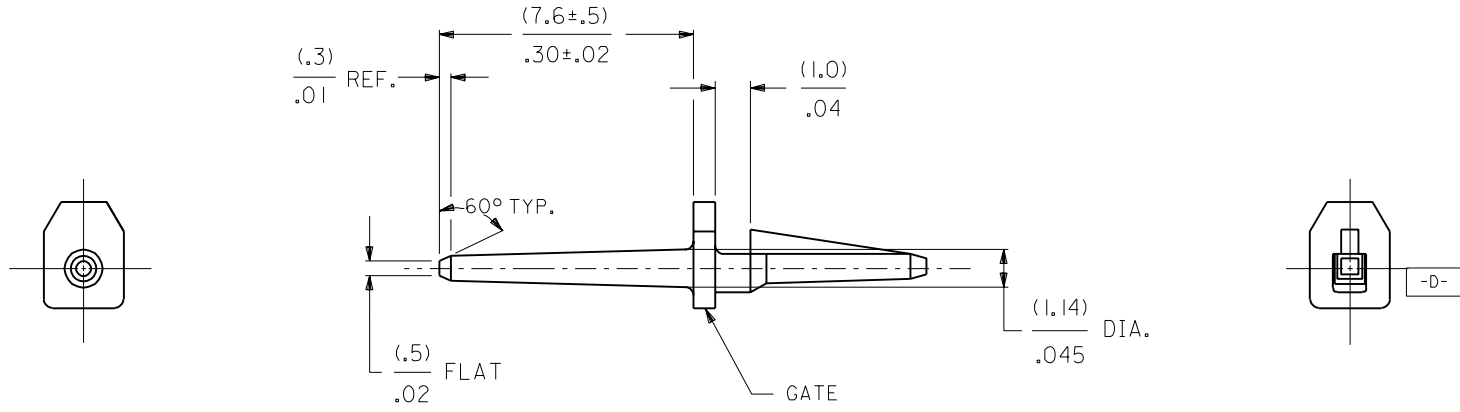
Email & Skype: info@chipsmall.com Web: www.chipsmall.com

Address: A1208, Overseas Decoration Building, #122 Zhenhua RD., Futian, Shenzhen, China



NOTES:

1. RECOMMENDED P.C. BOARD HOLE DIA. (1.50)±.059 MIN.



4161-2  
15-04-92 10

---	SEE SHEET 1.....	---	SEE SHEET 1.....
---	SEE SHEET 1.....	---	SEE SHEET 1.....
---	SEE SHEET 1.....	---	SEE SHEET 1.....
---	SEE SHEET 1.....	---	SEE SHEET 1.....
---	SEE SHEET 1.....	---	SEE SHEET 1.....
---	SEE SHEET 1.....	---	SEE SHEET 1.....
LTR.	REVISIONS	LTR.	REVISIONS

DIMENSIONS SHOWN (METRIC) INCH	
UNLESS OTHERWISE SPECIFIED TOLERANCES: ANGULAR ± 1/2°	
	INCH      METRIC
3 PLACE	± .010      ---
2 PLACE	± .014      ± .25
1 PLACE	---      ± .36
DRAFT WHERE APPLICABLE MUST REMAIN WITHIN DIMENSIONS	
DRWG. BY	GUZIK
CHK'D. BY	PATEL
APP'D. BY	LENZ
SCALE	:

▽ =	▼ =	REVISE ONLY ON CAD SYSTEM
TITLE		
(POLARIZING PEG) FOR KK (2:54) / 100		
MOLEX INCORPORATED LISLE, ILL. 60532 U.S.A.	SHEET NO. 2 DATE 10/16/87	
PART NO.	DRWG. NO.	SD-4161
FILE NAME	THIS DRAWING CONTAINS INFORMATION THAT IS PROPRIETARY TO MOLEX INC. AND SHOULD NOT BE USED WITHOUT WRITTEN PERMISSION	
S4161X2	DIV. KK SIZE B	