



Chipsmall Limited consists of a professional team with an average of over 10 year of expertise in the distribution of electronic components. Based in Hongkong, we have already established firm and mutual-benefit business relationships with customers from,Europe,America and south Asia,supplying obsolete and hard-to-find components to meet their specific needs.

With the principle of “Quality Parts,Customers Priority,Honest Operation,and Considerate Service”,our business mainly focus on the distribution of electronic components. Line cards we deal with include Microchip,ALPS,ROHM,Xilinx,Pulse,ON,Everlight and Freescale. Main products comprise IC,Modules,Potentiometer,IC Socket,Relay,Connector.Our parts cover such applications as commercial,industrial, and automotives areas.

We are looking forward to setting up business relationship with you and hope to provide you with the best service and solution. Let us make a better world for our industry!



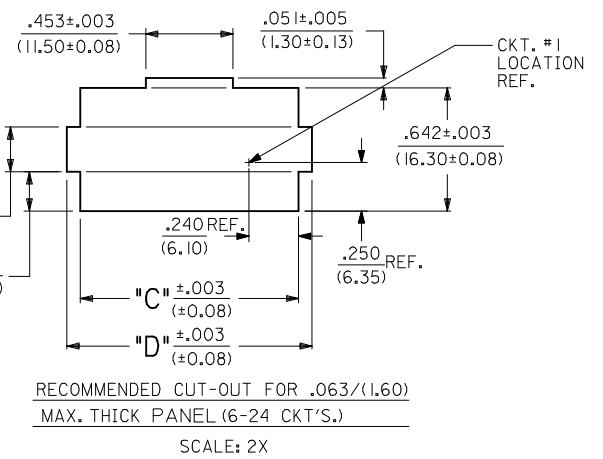
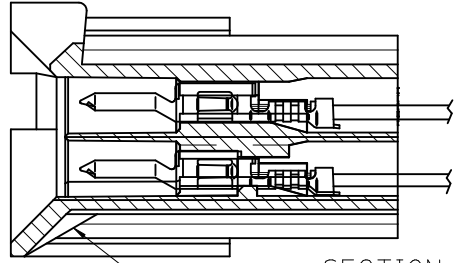
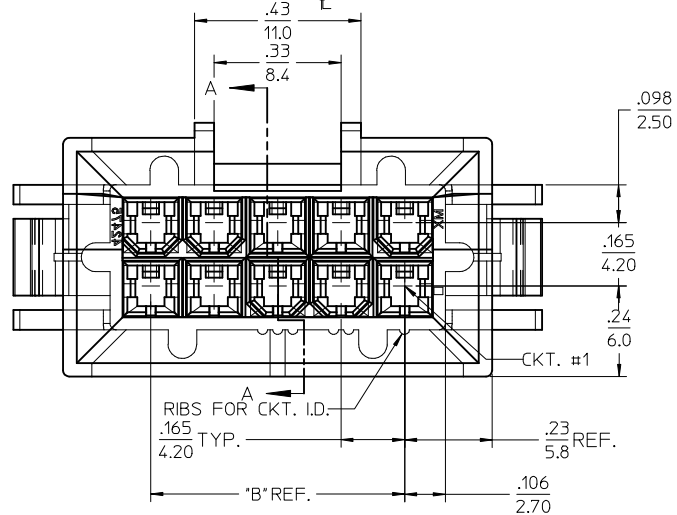
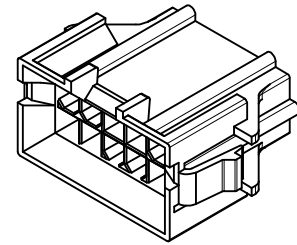
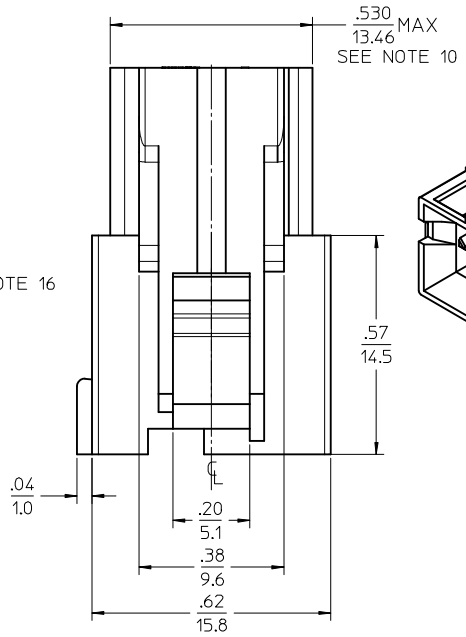
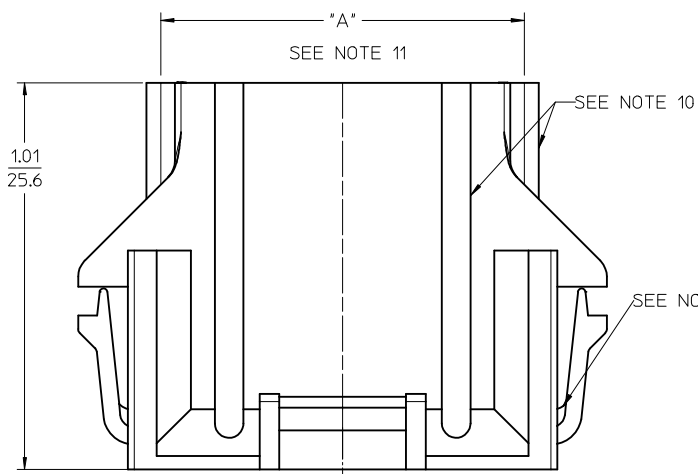
Contact us

Tel: +86-755-8981 8866 Fax: +86-755-8427 6832

Email & Skype: info@chipsmall.com Web: www.chipsmall.com

Address: A1208, Overseas Decoration Building, #122 Zhenhua RD., Futian, Shenzhen, China





CIRCUIT SIZE	DIM. "A"	DIM. "B"	DIM. "C"	DIM. "D"
6	.54 (13.8)	.33 (8.4)	.807 (20.50)	.945 (24.00)
8	.71 (18.0)	.50 (12.6)	.972 (24.70)	1.110 (28.20)
10	.87 (22.2)	.66 (16.8)	1.138 (28.90)	1.276 (32.40)
12	1.04 (26.4)	.83 (21.0)	1.303 (33.10)	1.441 (36.60)
14	1.20 (30.6)	.99 (25.2)	1.469 (37.30)	1.606 (40.80)
16	1.37 (34.8)	1.16 (29.4)	1.643 (41.50)	1.772 (45.00)
18	1.54 (39.0)	1.32 (33.6)	1.799 (45.70)	1.937 (49.20)
20	1.70 (43.2)	1.49 (37.8)	1.965 (49.90)	2.102 (53.40)
22	1.87 (47.4)	1.65 (42.0)	2.130 (54.10)	2.268 (57.60)
24	2.03 (51.6)	1.82 (46.2)	2.295 (58.30)	2.433 (61.80)

- NOTES:
- MATERIAL:
 - 1 = NYLON (PA6/6), UNFILLED, UL94 V-2, COLOR: NATURAL
 - 2 = NYLON (PA6/6), UNFILLED, UL94 V-0, COLOR: NATURAL (WHITE)
 - 3 = NYLON (PA6/6), UNFILLED, UL94 V-2, COLOR: BLACK
 - 4 = NYLON (PA6/6), UNFILLED, UL94 V-0, COLOR: BLACK
 - FINISH NOT APPLICABLE.
 - PRODUCT SPECIFICATION: PS-5556-002
 - PACKAGING SPECIFICATION: PK-42474-001
 - 6-24 CKT. PARTS MATE WITH MOLEX RECEPTACLES 5557, 42385 AND 42474. 2 AND 4 CKT. PARTS MATE WITH 42385 AND 42474 ONLY.
 - PART IS FOR USE WITH MALE TERMINAL #5558.
 - PART ALLOWS FOR UP TO .100/(2.54) MISALIGNMENT WITH MATING RECEPTACLE IN ANY DIRECTION. SEE MATING CONNECTOR DRAWINGS FOR SPECIFIC ALLOWANCES.
 - PANEL CUT-OUT TO BE PUNCHED IN THE SAME DIRECTION AS CONNECTOR INSERTION.
 - PART CONFORMS TO CLASS "B" REQUIREMENTS OF COSMETIC SPECIFICATION PS-45499-022.

- FOR MANUFACTURING EASE PARTS MAY HAVE OPTIONAL EJECTOR RIBS. SEE SHT. 3 FOR LOCATION.
- DIMENSION DOES NOT INCLUDE EJECTOR RIBS (SEE PAGE #3 FOR PARTS WITH RIBS, RIB DIMENSIONS AND LOCATION).
- IF THIS PRODUCT IS STORED IN AN ENVIRONMENT WITH A RELATIVE HUMIDITY OF LESS THAN 50%, MOISTURE MUST BE ADDED. REFER TO TECHNICAL ADVISORY AS-45499-001 FOR INSTRUCTIONS.
- INTERIOR RIB LOCATION MAY VARY.

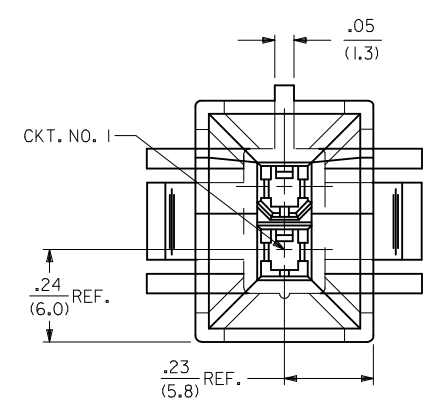
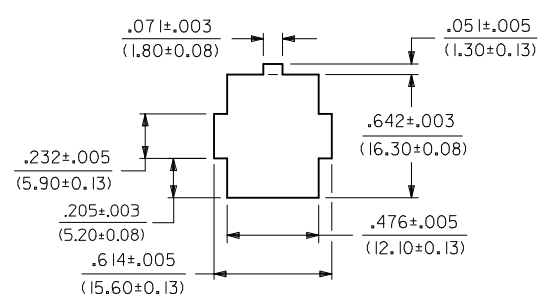
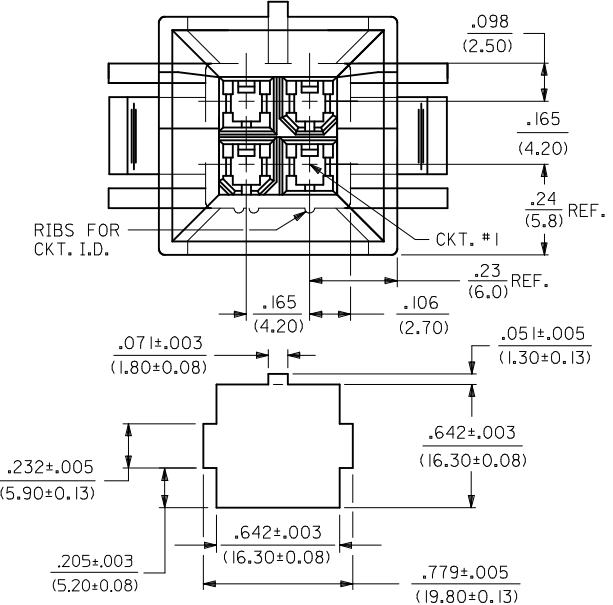
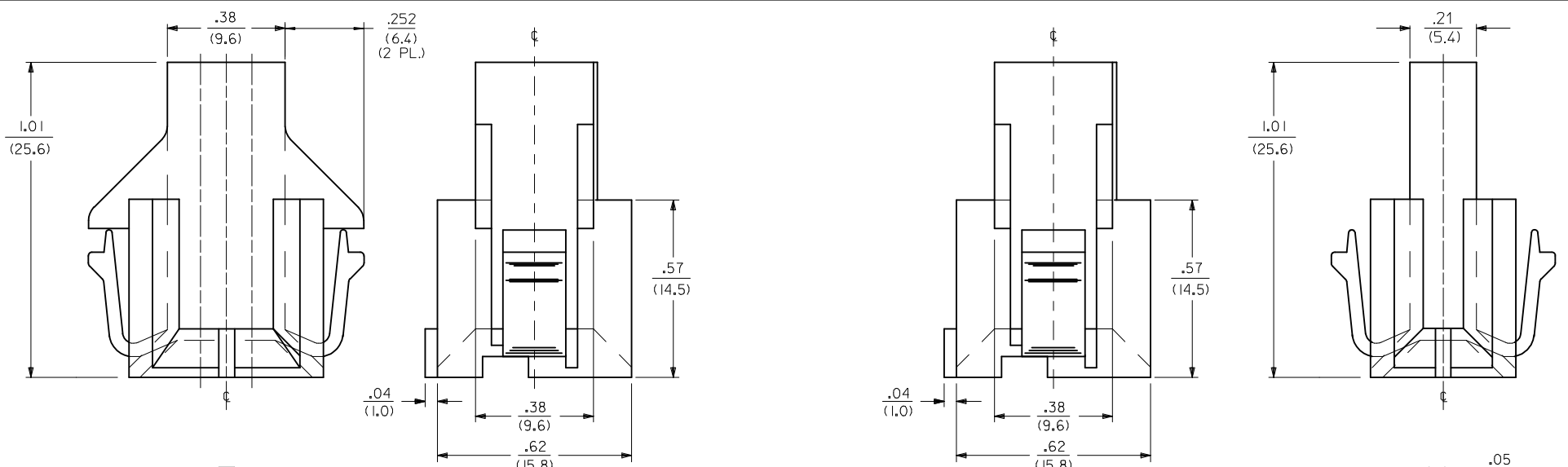
- CONNECTOR ASSEMBLIES ARE NOT TO BE MATED OR UNMATED WHILE CIRCUITS ARE LIVE.
- WIRES ARE TO BE DRESSED IN SUCH A MANNER TO ALLOW THE TERMINALS TO FLOAT FREELY IN THE POCKET.
- PARTS MAY HAVE OPTIONAL GUSSET

SEE SHEET 2 FOR 2 & 4 CKT. PARTS

UPDATE 24CKT RIBS EC NO: UCP2016-2229 DRWN: MONT CHKD: BELL APPR: FSMITH 2015/12/03 2015/12/03 2015/12/17	QUALITY SYMBOLS ▽=0 ▽=0 ▽=0	GENERAL TOLERANCES (UNLESS SPECIFIED) <table border="1"> <thead> <tr> <th></th> <th>mm</th> <th>INCH</th> </tr> </thead> <tbody> <tr> <td>4 PLACES</td> <td>± ---</td> <td>± ---</td> </tr> <tr> <td>3 PLACES</td> <td>± ---</td> <td>± .010</td> </tr> <tr> <td>2 PLACES</td> <td>± 0.25</td> <td>± .015</td> </tr> <tr> <td>1 PLACE</td> <td>± 0.38</td> <td>± ---</td> </tr> </tbody> </table>		mm	INCH	4 PLACES	± ---	± ---	3 PLACES	± ---	± .010	2 PLACES	± 0.25	± .015	1 PLACE	± 0.38	± ---	DIMENSION STYLE IN/MM	SCALE 4:1	DESIGN UNITS METRIC	THIRD ANGLE PROJECTION
				mm	INCH																
4 PLACES	± ---	± ---																			
3 PLACES	± ---	± .010																			
2 PLACES	± 0.25	± .015																			
1 PLACE	± 0.38	± ---																			
DRAWN BY GEP DATE 1989/07/18	CHECKED BY RJF DATE 1989/07/18	APPROVED BY FSMITH DATE 2011/09/02	MATERIAL NO. SEE SHEET 4	DOCUMENT NO. SD-42475-***1	SHEET NO. 1 OF 4	PLUG HOUSING B.M.I. 2-24 CIRCUITS MINI-FIT SERIES MOLEX INCORPORATED															

DRAFT WHERE APPLICABLE MUST REMAIN WITHIN DIMENSIONS

THIS DRAWING CONTAINS INFORMATION THAT IS PROPRIETARY TO MOLEX INCORPORATED AND SHOULD NOT BE USED WITHOUT WRITTEN PERMISSION



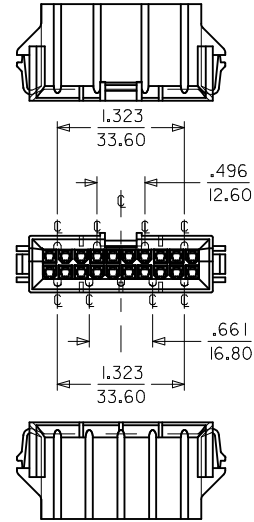
RECOMMENDED CUT-OUT FOR .063/(1.60)
MAX. THICK PANEL (4 CKT'S.)
SCALE: 2X

RECOMMENDED CUT-OUT FOR .063/(1.60)
MAX. THICK PANEL #1 (2 CKT'S.)
SCALE: 2X

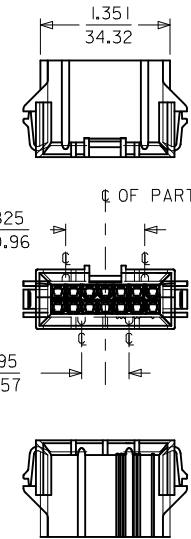
4 CKT.

2 CKT.

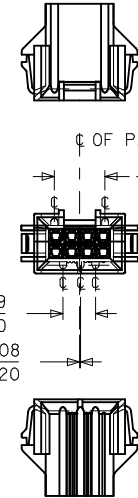
SEE SHEET 1 EC NO: UCP2016-2229 DRWN: JNONT 2015/12/03 CHKD: JBELL 2015/12/03 APPR: FSMITH 2015/12/17	QUALITY SYMBOLS	GENERAL TOLERANCES (UNLESS SPECIFIED)	DIMENSION STYLE	SCALE	DESIGN UNITS	THIRD ANGLE PROJECTION
	▽=0	mm INCH	IN/MM	4:1	METRIC	
	▽=0	4 PLACES ± --- ± ---	DRAWN BY DATE	TITLE	PLUG HOUSING B.M.I. 2-24 CIRCUITS MINI-FIT SERIES	
	▽=0	3 PLACES ± --- ± .010	CHECKED BY DATE	MOLEX INCORPORATED		
▽=0	2 PLACES ± .025 ± .015	APPROVED BY DATE	MATERIAL NO. DOCUMENT NO. SHEET NO.			
▽=0	1 PLACE ± 0.38 ± ---	ANGULAR ± 1/2°	FSMITH 2011/09/02	SEE SHEET 4	SD-42475-***1	2 OF 4
REV	DESCRIPTION	DRAFT WHERE APPLICABLE MUST REMAIN WITHIN DIMENSIONS	THIS DRAWING CONTAINS INFORMATION THAT IS PROPRIETARY TO MOLEX INCORPORATED AND SHOULD NOT BE USED WITHOUT WRITTEN PERMISSION			



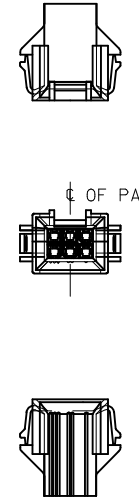
20 CIRCUIT



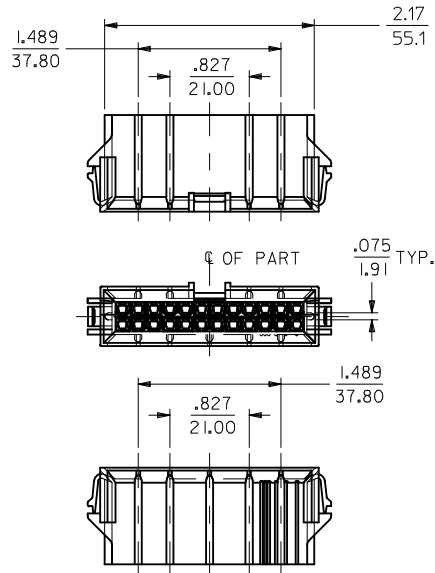
OR



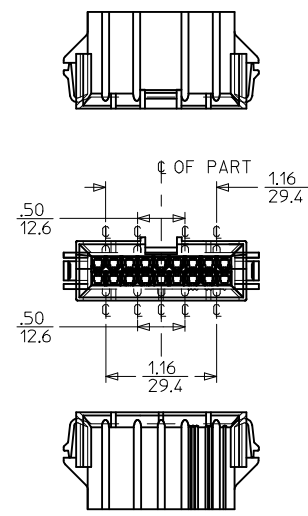
8 CIRCUIT



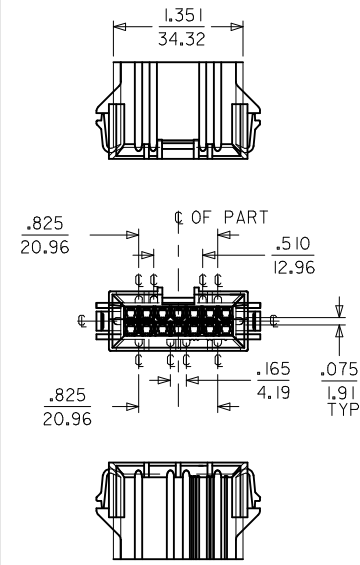
6 CIRCUIT



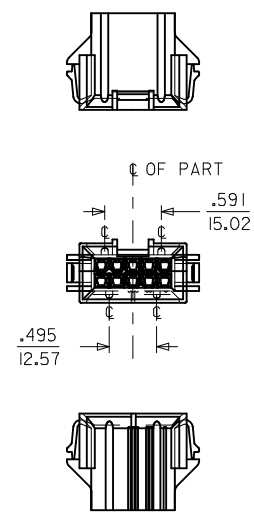
24 CIRCUIT



18 CIRCUIT



14 CIRCUIT



10 CIRCUIT

NOTES:

1) DIMENSIONS GIVEN ACROSS CENTERLINES ARE SYMMETRICAL ABOUT THOSE CENTERLINES WITHIN HALF THE TOTAL TOLERANCE.

SEE SHEET 1 EC NO: UCP2016-2229 DRWN: JNONT CHKD: JELL APPR: FSMITH	2015/12/03	QUALITY SYMBOLS ▽=0 ▽=0 ▽=0
	2015/12/03	
	2015/12/17	
	2015/12/17	

GENERAL TOLERANCES (UNLESS SPECIFIED)	
	mm INCH
4 PLACES ±	± .010
3 PLACES ±	± .015
2 PLACES ±	± .025
1 PLACE ±	± .038
ANGULAR ±1/2°	
DRAFT WHERE APPLICABLE MUST REMAIN WITHIN DIMENSIONS	

DIMENSION STYLE		SCALE		DESIGN UNITS	
IN/MM		1:1		METRIC	
DRAWN BY	DATE	TITLE			
GEP	1989/07/18	PLUG HOUSING B.M.I.			
CHECKED BY	DATE	2-24 CIRCUITS			
RJF	1989/07/18	MINI-FIT SERIES			
APPROVED BY	DATE	MATERIAL NO.			
FSMITH	2011/09/02	DOCUMENT NO.			
SIZE		SEE SHEET 4		SHEET NO.	
C				3 OF 4	

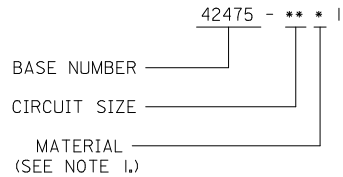
THIRD ANGLE PROJECTION	
MOLEX INCORPORATED	
SD-42475-***1	
THIS DRAWING CONTAINS INFORMATION THAT IS PROPRIETARY TO MOLEX INCORPORATED AND SHOULD NOT BE USED WITHOUT WRITTEN PERMISSION	

13		12		11		10		9		8		7		6		5		4		3		2		1	
PART NUMBER		ENG. NUMBER		CKT. SIZE		MATERIAL (SEE NOTE 1.)		PART NUMBER		CKT. SIZE		MATERIAL (SEE NOTE 1.)													
J	NOT TOOLED	42475-0211	2		1			NOT TOOLED	2		3														
	15-06-0045	42475-0411	4		↑			42475-0431	4		↑														
	15-06-0065	42475-0611	6					42475-0631	6																
	15-06-0085	42475-0811	8					42475-0831	8																
I	15-06-0105	42475-1011	10					42475-1031	10																
	NOT TOOLED	42475-1211	12					NOT TOOLED	12																
	15-06-0145	42475-1411	14					42475-1431	14																
	NOT TOOLED	42475-1611	16					NOT TOOLED	16																
H	15-06-0185	42475-1811	18					42475-1831	18																
O	15-06-0205	42475-2011	20					O 42475-2031	20																
	NOT TOOLED	42475-2211	22		↓			NOT TOOLED	22		↓														
	15-06-0245	42475-2411	24		1			42475-2431	24		3														
G																									
	NOT TOOLED	42475-0221	2		2			NOT TOOLED	2		4														
	15-06-0046	42475-0421	4		↑			42475-0441	4		↑														
	15-06-0066	42475-0621	6					42475-0641	6																
F	50-36-2323	42475-0821	8					42475-0841	8																
	15-06-0106	42475-1021	10					42475-1041	10																
	NOT TOOLED	42475-1221	12					NOT TOOLED	12																
	15-06-0146	42475-1421	14					42475-1441	14																
E	NOT TOOLED	42475-1621	16					NOT TOOLED	16																
	15-06-0186	42475-1821	18					42475-1841	18																
O	15-06-0206	42475-2021	20					O 42475-2041	20																
	NOT TOOLED	42475-2221	22		↓			NOT TOOLED	22		↓														
D	15-06-0246	42475-2421	24		2			42475-2441	24		4														

O = OBSOLETE

O = OBSOLETE

LEGEND:



SEE SHEET 1 EC NO: UCP2016-2229 DRWN: JNONT 2015/12/03 CHKD: JBEL 2015/12/03 APPR: FSMITH 2015/12/17	QUALITY SYMBOLS	GENERAL TOLERANCES (UNLESS SPECIFIED)		DIMENSION STYLE IN/MM		SCALE 1:1	DESIGN UNITS METRIC	THIRD ANGLE PROJECTION	
	▽=0	mm	INCH	DRAWN BY	DATE	TITLE PLUG HOUSING B.M.I. 2-24 CIRCUITS MINI-FIT SERIES			
	▽=0	4 PLACES ± ---	± ---	GEP	1989/07/18				
	▽=0	3 PLACES ± ---	± .010	CHECKED BY	DATE				
		2 PLACES ± 0.25	± .015	RJF	1989/07/18	MOLEX INCORPORATED MATERIAL NO. SD-42475-***1 SHEET NO. 4 OF 4			
		1 PLACE ± 0.38	± ---	APPROVED BY	DATE				
		ANGULAR ±1/2°		FSMITH	2011/09/02				
		DRAFT WHERE APPLICABLE MUST REMAIN WITHIN DIMENSIONS		SEE CHART					
		THIS DRAWING CONTAINS INFORMATION THAT IS PROPRIETARY TO MOLEX INCORPORATED AND SHOULD NOT BE USED WITHOUT WRITTEN PERMISSION							