



Chipsmall Limited consists of a professional team with an average of over 10 year of expertise in the distribution of electronic components. Based in Hongkong, we have already established firm and mutual-benefit business relationships with customers from,Europe,America and south Asia,supplying obsolete and hard-to-find components to meet their specific needs.

With the principle of “Quality Parts,Customers Priority,Honest Operation,and Considerate Service”,our business mainly focus on the distribution of electronic components. Line cards we deal with include Microchip,ALPS,ROHM,Xilinx,Pulse,ON,Everlight and Freescale. Main products comprise IC,Modules,Potentiometer,IC Socket,Relay,Connector.Our parts cover such applications as commercial,industrial, and automotives areas.

We are looking forward to setting up business relationship with you and hope to provide you with the best service and solution. Let us make a better world for our industry!



Contact us

Tel: +86-755-8981 8866 Fax: +86-755-8427 6832

Email & Skype: info@chipsmall.com Web: www.chipsmall.com

Address: A1208, Overseas Decoration Building, #122 Zhenhua RD., Futian, Shenzhen, China



15 Series

RoHS
Compliant

NYLON 6.6

GENERAL PURPOSE

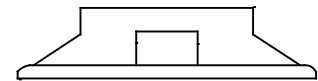
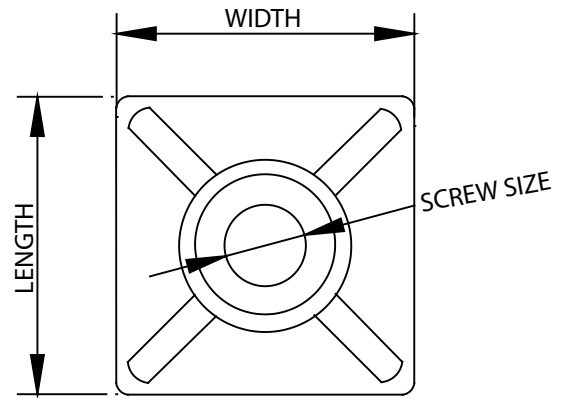
APPLICATION OPERATING TEMPERATURE: -40°C to +85°C

APPROVALS¹:  US

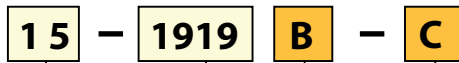


Part Number	Length mm [Inch]	Width mm [Inch]	Screw Size	Cable Ties Width up to mm [Inch]
15-1919	19.0 [.750]	19.0 [.750]	M5 [#10]	3.6 [.140]
15-2525	28.0 [1.10]	28.0 [1.10]	M5 [#10]	4.8 [.189]
15-4040	40.0 [1.50]	40.0 [1.50]	M5 [#10]	9.0 [.354]

Notes:
1. 15-4040 is not UL approved



PART NUMBER SYSTEM



SERIES

SIZE

MATERIAL/COLOR

- N: Natural
- B: Normal UV Black

PACKAGE SIZE

- C: 100PCS
- Number: Other Quantity