



Chipsmall Limited consists of a professional team with an average of over 10 year of expertise in the distribution of electronic components. Based in Hongkong, we have already established firm and mutual-benefit business relationships with customers from,Europe,America and south Asia,supplying obsolete and hard-to-find components to meet their specific needs.

With the principle of "Quality Parts,Customers Priority,Honest Operation,and Considerate Service",our business mainly focus on the distribution of electronic components. Line cards we deal with include Microchip,ALPS,ROHM,Xilinx,Pulse,ON,Everlight and Freescale. Main products comprise IC,Modules,Potentiometer,IC Socket,Relay,Connector.Our parts cover such applications as commercial,industrial, and automotives areas.

We are looking forward to setting up business relationship with you and hope to provide you with the best service and solution. Let us make a better world for our industry!



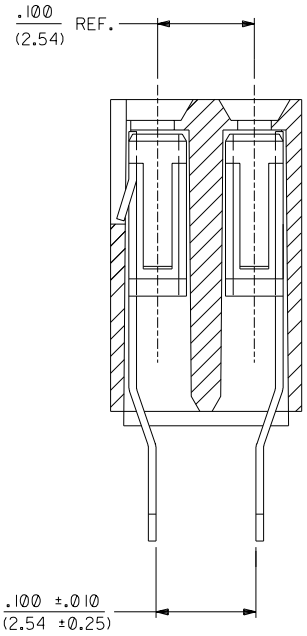
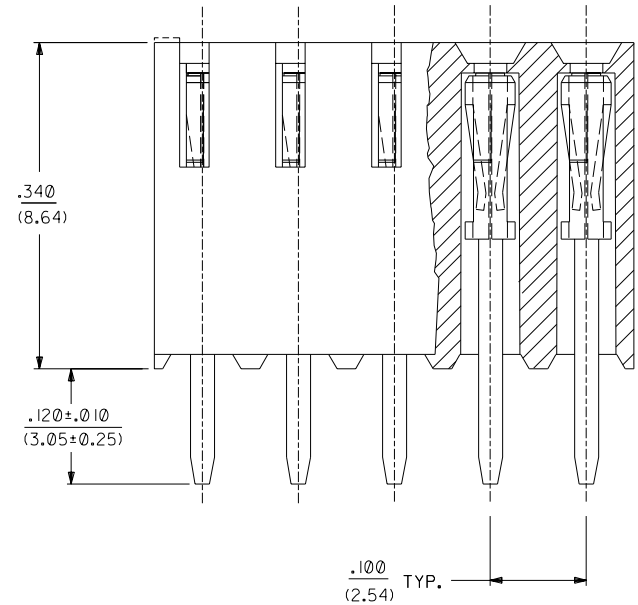
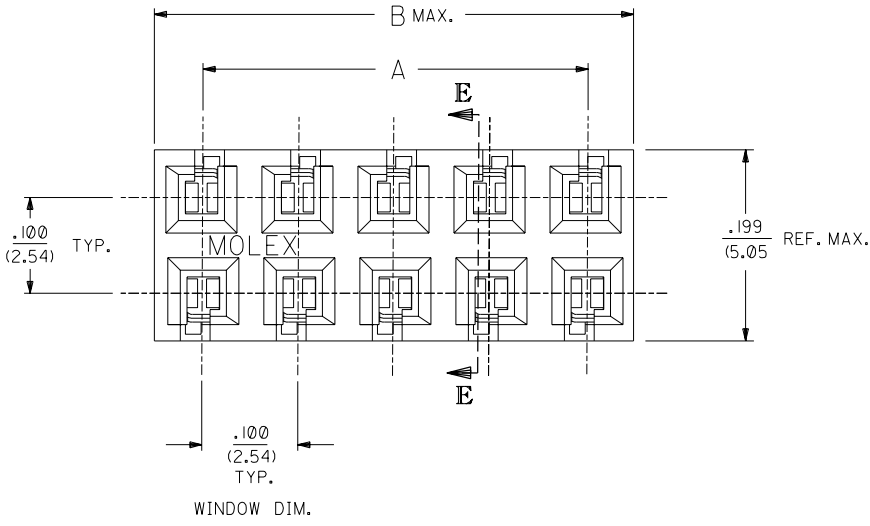
Contact us

Tel: +86-755-8981 8866 Fax: +86-755-8427 6832

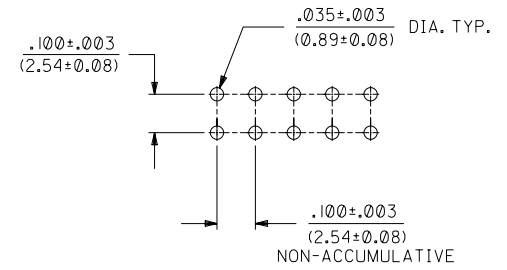
Email & Skype: info@chipsmall.com Web: www.chipsmall.com

Address: A1208, Overseas Decoration Building, #122 Zhenhua RD., Futian, Shenzhen, China





- NOTES:
- 1 - HOUSING MATERIAL: GLASS FILLED POLYESTER, UL 94V-0.
COLOR: BLACK
 - 2 - TERMINAL MATERIAL: PHOSPHOR BRONZE
 - 3 - SEE ADDITIONAL SHEETS FOR CHARTS, PLATINGS, AND OVERALL DIMENSIONS
 - 4 - THIS PRODUCT CONFORMS TO PS-70181.

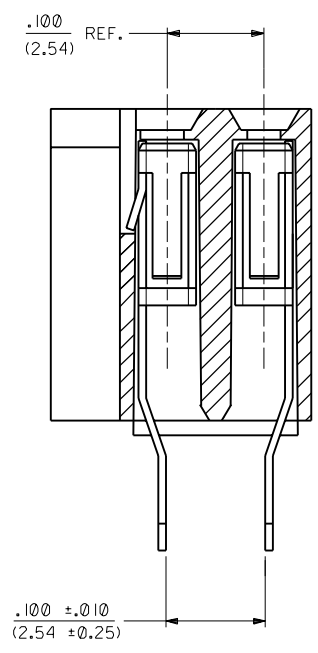
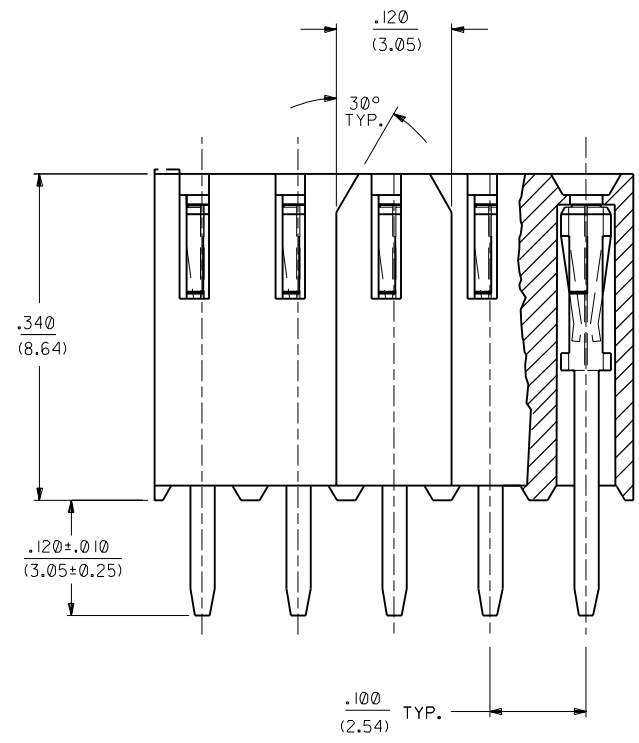
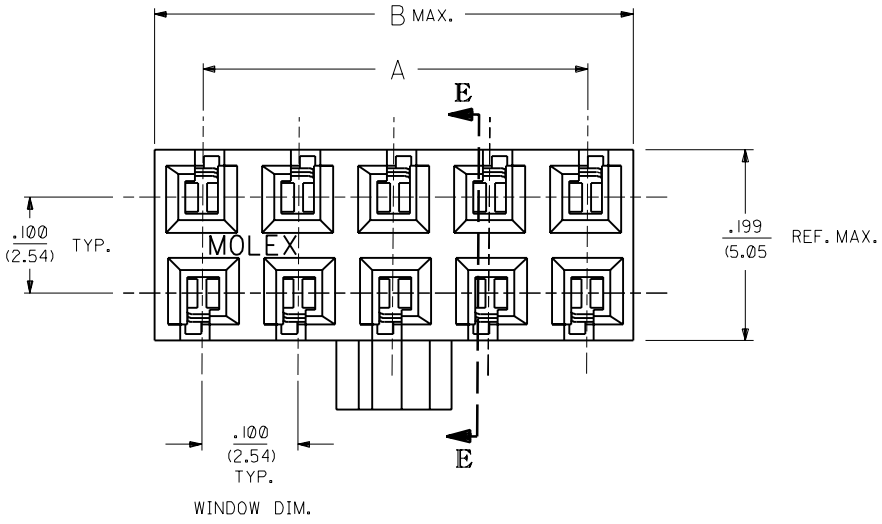


RECOMMENDED P.C. BOARD HOLE LAYOUT
SCALE = 4:1

C	LEAD FREE UCP2004-1770 RWWHITE 04/04/28
B	CHANGE PACK SPEC ECAF UDT2000-0503 DMORGAN 99/12/09
A	REVISE PLATE & BOX PER U3 0572 09/10/93 MURPHY

MFG.	SH.	REV.	LTR.	REVISIONS
3	C			
2	A			
1	C			

DIMENSIONS SHOWN (METRIC) INCH UNLESS OTHERWISE SPECIFIED TOLERANCES: ANGULAR ± 1/2°		▽ = 0 ▼ = 0		REVISE ONLY ON CAD SYSTEM													
<table border="1"> <tr> <th></th> <th>INCH</th> <th>METRIC</th> </tr> <tr> <td>3 PLACE</td> <td>± .010</td> <td>---</td> </tr> <tr> <td>2 PLACE</td> <td>± .014</td> <td>± 0.25</td> </tr> <tr> <td>1 PLACE</td> <td>---</td> <td>± 0.35</td> </tr> </table>			INCH	METRIC	3 PLACE	± .010	---	2 PLACE	± .014	± 0.25	1 PLACE	---	± 0.35	TITLE CONNECTOR VERT MOUNT DUAL ROW (TOP ENTRY) .100 X .10 P.C TAIL GRID		SHEET NO. U.S.A. 1 OF 3	
	INCH	METRIC															
3 PLACE	± .010	---															
2 PLACE	± .014	± 0.25															
1 PLACE	---	± 0.35															
DRAFT WHERE APPLICABLE MUST REMAIN WITHIN DIMENSIONS		MOLEX INCORPORATED LISLE, ILL. 60532		DATE U.S.A. 09/10/93													
DRWG. NO. SDA-70192-***		PART NO. SDA-70192-1		DRWG. NO. SDA-70192-1													
DRWG. BY PM		CHK'D. BY PM		FILE NAME SA70192X1.DGN													
APP'D. BY PM		SCALE 10:1		THIS DRAWING CONTAINS INFORMATION THAT IS PROPRIETARY TO MOLEX INC. AND SHOULD NOT BE USED WITHOUT WRITTEN PERMISSION													



NOTES:
1 - SEE SHEET I FOR APPLICABLE NOTES.

SINGAPORE ONLY
OPTION -F-
WITH POLARIZING KEY

A SEE SHEET I

DIMENSIONS SHOWN (METRIC) INCH		▽ = 0 ▼ = 0		REVISE ONLY ON CAD SYSTEM	
UNLESS OTHERWISE SPECIFIED TOLERANCES ANGULAR ± 1/2°		TITLE			
3 PLACE ±		CONNECTOR, VERT. MOUNT, DUAL ROW			
2 PLACE ±		(TOP ENTRY) .100 X .100			
1 PLACE ±		P.C. TAIL GRID			
DRAFT WHERE APPLICABLE MUST REMAIN WITHIN DIMENSIONS		MOLEX INCORPORATED		SHEET NO. DATE	
		L15LEJLL 69532		2 07/17/90	
DRAWN BY: PM		CHK'D BY: PM		PART NO. DRWG. NO.	
APP'D BY: PM		SCALE: :		SEE CHART SDA-70192-0000	
		FILE NAME: SA70192X2.DWG		THIS DRAWING CONTAINS INFORMATION THAT IS PROPRIETARY TO MOLEX INC. AND SHOULD NOT BE USED WITHOUT WRITTEN PERMISSION.	

J	CKT SIZE		PLATING: TIN PACKAGING: PK-70873-0660		PLATING: 15 GOLD PACKAGING: PK-70873-0660		PLATING: 30 GOLD PACKAGING: PK-70873-0660		OPTION F ASSEMBLY TOOLED IN SINGAPORE ONLY (SEE SHEET 2 FOR GEOMETRY)		DIM."A"		DIM."B"							
	PER ROW	TOTAL	EDP NO.	ENG NO.	EDP NO.	ENG NO.	EDP NO.	ENG NO.	EDP NO.	ENG NO.	INCH		MM							
											INCH	MM	INCH	MM						
I	02	04	15-45-1302	A-70192-0065	15-44-3202	A-70192-0129	15-44-4502	A-70192-0193			.100	2,54	.199	5,05						
	03	06	15-45-1303	A-70192-0066	15-44-3203	A-70192-0130	15-44-4503	A-70192-0194			.200	5,08	.299	7,59						
	04	08	15-45-1304	A-70192-0067	15-44-3204	A-70192-0131	15-44-4504	A-70192-0195			.300	7,62	.399	10,13						
	05	10	15-45-1305	A-70192-0068	15-44-3205	A-70192-0132	15-44-4505	A-70192-0196			.400	10,16	.499	12,67						
	06	12	15-45-1306	A-70192-0069	15-44-3206	A-70192-0133	15-44-4506	A-70192-0197			.500	12,70	.599	15,21						
	07	14	15-45-1307	A-70192-0070	15-44-3207	A-70192-0134	15-44-4507	A-70192-0198			.600	15,24	.699	17,75						
	08	16	15-45-1308	A-70192-0071	15-44-3208	A-70192-0135	15-44-4508	A-70192-0199			.700	17,78	.799	20,29						
	09	18	15-45-1309	A-70192-0072	15-44-3209	A-70192-0136	15-44-4509	A-70192-0200			.800	20,32	.899	22,83						
	10	20	15-45-1310	A-70192-0073	15-44-3210	A-70192-0137	15-44-4510	A-70192-0201			.900	22,86	.999	25,37						
	11	22	15-45-1311	A-70192-0074	15-44-3211	A-70192-0138	15-44-4511	A-70192-0202			1,000	25,40	1,099	27,91						
H	12	24	15-45-1312	A-70192-0075	15-44-3212	A-70192-0139	15-44-4512	A-70192-0203			1,100	27,94	1,199	30,45						
	13	26	15-45-1313	A-70192-0076	15-44-3213	A-70192-0140	15-44-4513	A-70192-0204			1,200	30,48	1,299	32,99						
	14	28	15-45-1314	A-70192-0077	15-44-3214	A-70192-0141	15-44-4514	A-70192-0205			1,300	33,02	1,399	35,53						
	15	30	15-45-1315	A-70192-0078	15-44-3215	A-70192-0142	15-44-4515	A-70192-0206			1,400	35,56	1,499	38,07						
	16	32	15-45-1316	A-70192-0079	15-44-3216	A-70192-0143	15-44-4516	A-70192-0207			1,500	38,10	1,599	40,61						
	17	34	15-45-1317	A-70192-0080	15-44-3217	A-70192-0144	15-44-4517	A-70192-0208			1,600	40,64	1,699	43,15						
G	18	36	15-45-1318	A-70192-0081	15-44-3218	A-70192-0145	15-44-4518	A-70192-0209			1,700	43,18	1,799	45,69						
	19	38	15-45-1319	A-70192-0082	15-44-3219	A-70192-0146	15-44-4519	A-70192-0210			1,800	45,72	1,899	48,23						
	20	40	15-45-1320	A-70192-0083	15-44-3220	A-70192-0147	15-44-4520	A-70192-0211			1,900	48,26	1,999	50,77						
	21	42	15-45-1321	A-70192-0084	15-44-3221	A-70192-0148	15-44-4521	A-70192-0212			2,000	50,80	2,099	53,31						
	22	44	15-45-1322	A-70192-0085	15-44-3222	A-70192-0149	15-44-4522	A-70192-0213			2,100	53,34	2,199	55,85						
	23	46	15-45-1323	A-70192-0086	15-44-3223	A-70192-0150	15-44-4523	A-70192-0214			2,200	55,88	2,299	58,39						
F	24	48	15-45-1324	A-70192-0087	15-44-3224	A-70192-0151	15-44-4524	A-70192-0215			2,300	58,42	2,399	60,93						
	25	50	15-45-1325	A-70192-0088	15-44-3225	A-70192-0152	15-44-4525	A-70192-0216	15-44-6625	A-70192-0280	2,400	60,96	2,499	63,47						
	26	52	15-45-1326	A-70192-0089	15-44-3226	A-70192-0153	15-44-4526	A-70192-0217			2,500	63,50	2,599	66,01						
	27	54	15-45-1327	A-70192-0090	15-44-3227	A-70192-0154	15-44-4527	A-70192-0218			2,600	66,04	2,699	68,55						
	28	56	15-45-1328	A-70192-0091	15-44-3228	A-70192-0155	15-44-4528	A-70192-0219			2,700	68,58	2,799	71,09						
	29	58	15-45-1329	A-70192-0092	15-44-3229	A-70192-0156	15-44-4529	A-70192-0220			2,800	71,12	2,899	73,63						
	30	60	15-45-1330	A-70192-0093	15-44-3230	A-70192-0157	15-44-4530	A-70192-0221			2,900	73,66	2,999	76,17						
E	31	62	15-45-1331	A-70192-0094	15-44-3231	A-70192-0158	15-44-4531	A-70192-0222			3,000	76,20	3,099	78,71						
	32	64	15-45-1332	A-70192-0095	15-44-3232	A-70192-0159	15-44-4532	A-70192-0223			3,100	78,74	3,199	81,25						
	33	66	15-45-1333	A-70192-0096	15-44-3233	A-70192-0160	15-44-4533	A-70192-0224			3,200	81,28	3,299	83,79						
	34	68	15-45-1334	A-70192-0097	15-44-3234	A-70192-0161	15-44-4534	A-70192-0225			3,300	83,82	3,399	86,33						
	35	70	15-45-1335	A-70192-0098	15-44-3235	A-70192-0162	15-44-4535	A-70192-0226			3,400	86,36	3,499	88,87						
	36	72	15-45-1336	A-70192-0099	15-44-3236	A-70192-0163	15-44-4536	A-70192-0227			3,500	88,90	3,599	91,41						
D	37	74	15-45-1337	A-70192-0100	15-44-3237	A-70192-0164	15-44-4537	A-70192-0228			3,600	91,44	3,699	93,95						
	38	76	15-45-1338	A-70192-0101	15-44-3238	A-70192-0165	15-44-4538	A-70192-0229			3,700	93,98	3,799	96,49						
	39	78	15-45-1339	A-70192-0102	15-44-3239	A-70192-0166	15-44-4539	A-70192-0230			3,800	96,52	3,899	99,03						
	40	80	15-45-1340	A-70192-0103	15-44-3240	A-70192-0167	15-44-4540	A-70192-0231			3,900	99,06	3,999	101,57						
C	•THE PRIMARY SHIPPING CARTON WILL BE LABELED "COMPLIANT TO RoHS DIRECTIVE 2002/95/EC AND ELV ANNEX II OF DIRECTIVE 2000/53/EC". CARTONS WITHOUT THIS LABEL MAY CONTAIN PRODUCT WITH LEAD. PLATING: TIN (3.75 MICROMETER)/150 MICROINCH MINIMUM TIN OVER (1.25 MICROMETER)/50 MICROINCH MINIMUM NICKEL OVERALL. 15 GOLD (0.37 MICROMETER)/15 MICROINCH MINIMUM SELECTIVE GOLD IN THE CONTACT AREA; (1.88 MICROMETER)/75 MICROINCH MINIMUM SELECTIVE TIN IN THE PC TAIL AREA OVER (1.25 MICROMETER)/50 MICROINCH MINIMUM NICKEL OVERALL. 30 GOLD (0.75 MICROMETER)/30 MICROINCH MINIMUM SELECTIVE GOLD IN THE CONTACT AREA; (1.88 MICROMETER)/75 MICROINCH MINIMUM SELECTIVE TIN IN THE PC TAIL AREA OVER (1.25 MICROMETER)/50 MICROINCH MINIMUM NICKEL OVERALL.																			
B																				
A																				
											DIMENSIONS SHOWN (METRIC) INCH UNLESS OTHERWISE SPECIFIED TOLERANCES: ANGULAR ± 1/2°	5 PLACE ± — — — — 2 PLACE ± — — ± — — 1 PLACE — — — ± — — —	DIM. INCH METRIC DRAFT WHERE APPLICABLE MUST REMAIN WITHIN DIMENSIONS	DRG. BY T.M. CHK'D. BY MGB APP'D. BY MGB SCALE 10 : 1	FILE NAME SA70192X3 THIS DRAWING CONTAINS INFORMATION THAT IS PROPRIETARY TO MOLEX INC. AND SHOULD NOT BE USED WITHOUT WRITTEN PERMISSION.	TITLE VERTICAL MOUNT ASSY DUAL ROW TOP ENTRY .100 X .100 P.C. TAIL GRID	FROM MOLEX INCORPORATED LITTLE ROCK, AR 68532 U.S.A.	SHEET NO. 3 DATE 07/17/90	PART NO. SDA-70192-**** DRWG. NO.	DIV. DA SIZE C
											LTR.	REVISIONS	LTR.	REVISIONS						