



Chipsmall Limited consists of a professional team with an average of over 10 year of expertise in the distribution of electronic components. Based in Hongkong, we have already established firm and mutual-benefit business relationships with customers from,Europe,America and south Asia,supplying obsolete and hard-to-find components to meet their specific needs.

With the principle of “Quality Parts,Customers Priority,Honest Operation,and Considerate Service”,our business mainly focus on the distribution of electronic components. Line cards we deal with include Microchip,ALPS,ROHM,Xilinx,Pulse,ON,Everlight and Freescale. Main products comprise IC,Modules,Potentiometer,IC Socket,Relay,Connector.Our parts cover such applications as commercial,industrial, and automotives areas.

We are looking forward to setting up business relationship with you and hope to provide you with the best service and solution. Let us make a better world for our industry!



Contact us

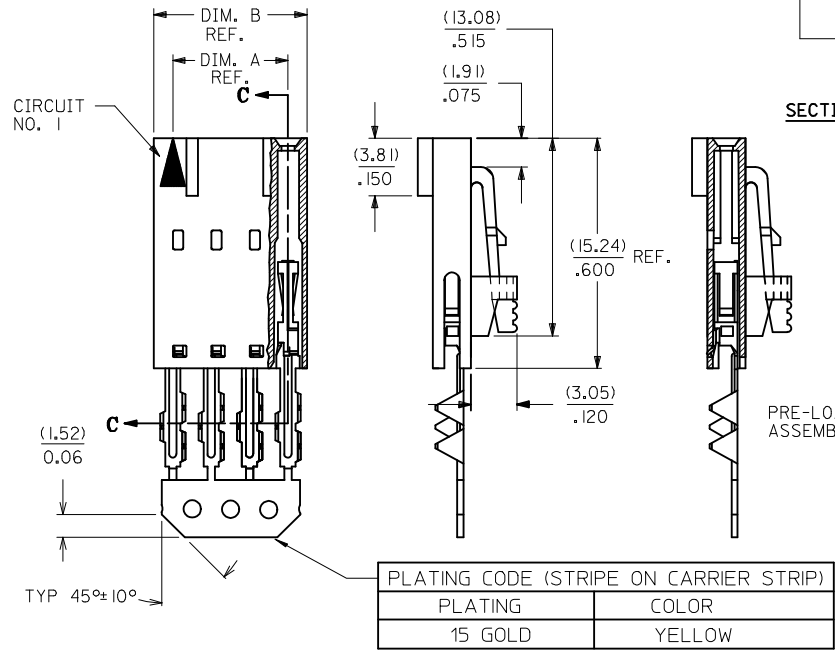
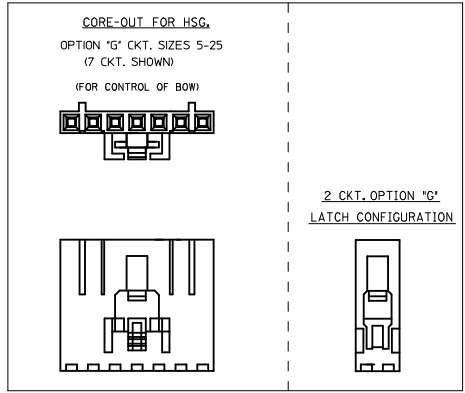
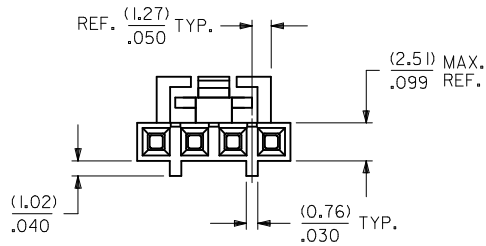
Tel: +86-755-8981 8866 Fax: +86-755-8427 6832

Email & Skype: info@chipsmall.com Web: www.chipsmall.com

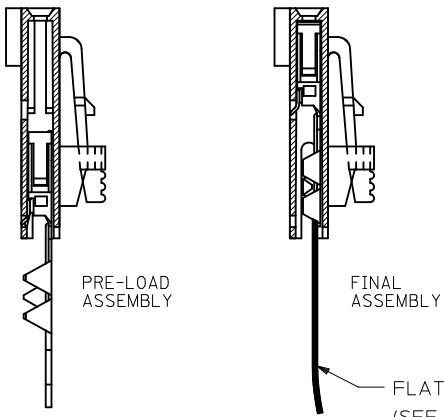
Address: A1208, Overseas Decoration Building, #122 Zhenhua RD., Futian, Shenzhen, China



"G" - OPTION



SECTION C-C



CKT. SIZE	EDP. NO.	ENG. NO.	A	B
2	015-47-4023	70430-0316	(2.54) .100	(5.05) .199
3	015-47-4033	70430-0317	(5.08) .200	(7.59) .299
4	015-47-4043	70430-0318	(7.62) .300	(10.13) .399
5	015-47-4053	70430-0319	(10.16) .400	(12.67) .499
6	015-47-4063	70430-0320	(12.70) .500	(15.21) .599
7	015-47-4073	70430-0321	(15.24) .600	(17.75) .699
8	015-47-4083	70430-0322	(17.78) .700	(20.29) .799
9	015-47-4093	70430-0323	(20.32) .800	(22.83) .899
10	015-47-4103	70430-0324	(22.86) .900	(25.37) .999
11	015-47-4113	70430-0325	(25.40) 1.000	(27.91) 1.099
12	015-47-4123	70430-0326	(27.94) 1.100	(30.45) 1.199
13	015-47-4133	70430-0327	(30.48) 1.200	(32.99) 1.299
14	015-47-4143	70430-0328	(33.02) 1.300	(35.53) 1.399
15	015-47-4153	70430-0329	(35.56) 1.400	(38.07) 1.499
16	015-47-4163	70430-0330	(38.10) 1.500	(40.61) 1.599
17	015-47-4173	70430-0331	(40.64) 1.600	(43.15) 1.699
18	015-47-4183	70430-0332	(43.18) 1.700	(45.69) 1.799
19	015-47-4193	70430-0333	(45.72) 1.800	(48.23) 1.899
20	015-47-4203	70430-0334	(48.26) 1.900	(50.77) 1.999
21	015-47-4213	70430-0335	(50.80) 2.000	(53.31) 2.099
22	015-47-4223	70430-0336	(53.34) 2.100	(55.85) 2.199
23	015-47-4233	70430-0337	(55.88) 2.200	(58.39) 2.299
24	015-47-4243	70430-0338	(58.42) 2.300	(60.93) 2.399
25	015-47-4253	70430-0339	(60.96) 2.400	(63.47) 2.499

- HOUSING MATERIAL: GLASS FILLED POLYESTER, UL94V-0, COLOR: BLACK.
TERMINAL MATERIAL: PHOSPHOR BRONZE.
PLATING 15 GOLD - 0.38 MICROMETERS/15 MICROINCHES MINIMUM GOLD PLATE IN SELECT AREA
1.90 MICROMETERS/75 MICROINCHES MINIMUM TIN PLATE IN SELECT AREA
1.27 MICROMETERS/50 MICROINCHES MINIMUM NICKEL PLATE OVERALL.
- PRE LOADED ASSEMBLY TO BE USED WITH (0.30)/.012 MAX. THICK FLAT CABLE WITH (1.57)/.062 WIDE COPPER CONDUCTORS ON (2.54)/.100 CENTERS OR, (0.13)/.005-(0.28)/.011 THICK MYLAR WITH (1.02)/.040 - (1.65)/.065 WIDE SILVER INK CONDUCTORS ON (2.54)/.100 CENTERS.
- PRODUCT SPECIFICATION: PS-70430.
- STANDARD PACKING PER PK70873-0001 SHALL BE USED.
- SEE CHART FOR CIRCUIT SIZES, "A" AND "B" DIMENSIONS.
- TWO (2) CIRCUIT ASSEMBLIES SUPPLIED AS GROUPED PAIRS.
- PART MATES WITH (0.64)/.025 SQ. PINS, (8.13)/.320 TO (5.08)/.200 LONG ON (2.54)/.100 CENTERS.
- PARTS CONFORM TO CLASS B COSMETIC SPECIFICATION PS-45499-002.

THE PRIMARY CARTON WITH A LABEL STATING "ELV AND RoHS COMPLIANT" IS LEAD FREE. CARTONS WITHOUT THIS LABEL MAY CONTAIN LEAD.

STANDARDIZE EC NO: UCP2013-2452 TDR:WNR/HIPPLE 2012/12/18 CHKD:DMORGAN 2012/12/18 APPR:SMILLER 2013/01/31 (REV)	QUALITY SYMBOLS ∇=0 ∇=0 ∇=0	GENERAL TOLERANCES (UNLESS SPECIFIED)		DIMENSION STYLE MM/IN		SCALE	DESIGN UNITS	THIRD ANGLE PROJECTION
		4 PLACES ± --- ± --- 3 PLACES ± --- ± .010 2 PLACES ± 0.25 ± .015 1 PLACE ± 0.38 ± --- 0 PLACE ± --- ± ---		DRAWN BY DATE RAS 1986/07/21		TITLE	ASSEMBLY, CONNECTOR FFC FEMALE SINGLE ROW (2.54)/.100 GRID molex SDA-70430-0316-0339	
		ANGULAR ±1/2°		CHECKED BY DATE MJM 1986/07/21		DOCUMENT NO.		
		DRAFT WHERE APPLICABLE MUST REMAIN WITHIN DIMENSIONS		APPROVED BY DATE SMILLER 2013/01/31		SHEET NO. 1 OF 1		

THIS DRAWING CONTAINS INFORMATION THAT IS PROPRIETARY TO MOLEX INCORPORATED AND SHOULD NOT BE USED WITHOUT WRITTEN PERMISSION