



Chipsmall Limited consists of a professional team with an average of over 10 year of expertise in the distribution of electronic components. Based in Hongkong, we have already established firm and mutual-benefit business relationships with customers from,Europe,America and south Asia,supplying obsolete and hard-to-find components to meet their specific needs.

With the principle of "Quality Parts,Customers Priority,Honest Operation,and Considerate Service",our business mainly focus on the distribution of electronic components. Line cards we deal with include Microchip,ALPS,ROHM,Xilinx,Pulse,ON,Everlight and Freescale. Main products comprise IC,Modules,Potentiometer,IC Socket,Relay,Connector.Our parts cover such applications as commercial,industrial, and automotives areas.

We are looking forward to setting up business relationship with you and hope to provide you with the best service and solution. Let us make a better world for our industry!



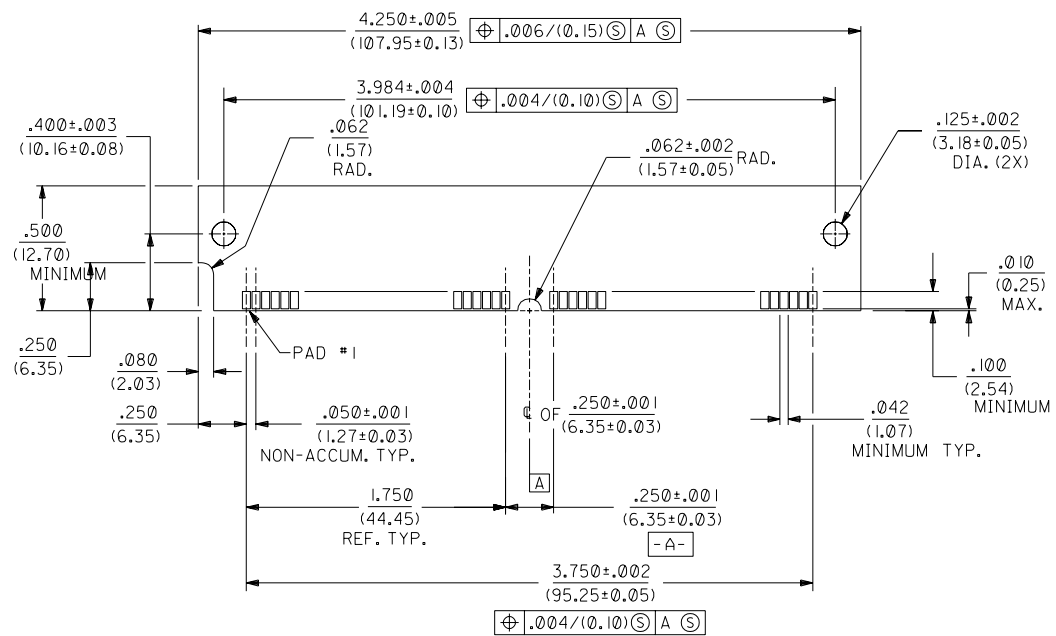
## Contact us

Tel: +86-755-8981 8866 Fax: +86-755-8427 6832

Email & Skype: info@chipsmall.com Web: www.chipsmall.com

Address: A1208, Overseas Decoration Building, #122 Zhenhua RD., Futian, Shenzhen, China





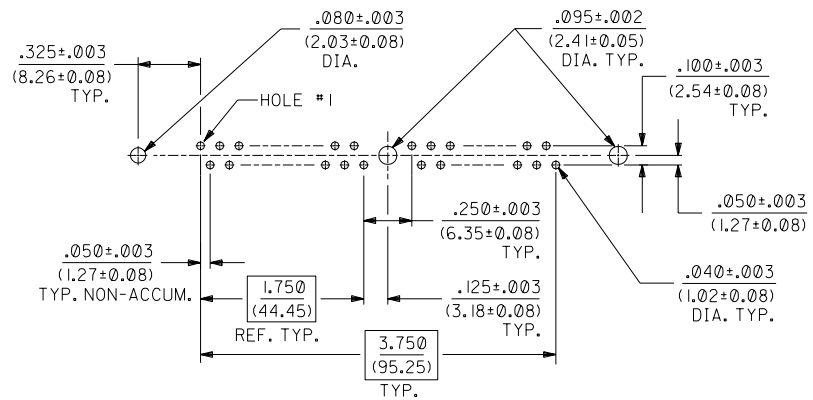
"SIMM" P.C. BOARD LAYOUT

- NOTES:
- CARD SLOT ACCEPTS P.C. BOARDS  $.050 +.004/-0.003$  THICK, MEASURED OVER CONTACT PADS. (1.27 +0.10/-0.08)
  - LOCATION OF LOWER CORNER OF MODULE BOARD.
  - PRODUCT SPEC PS-78954 APPLIES.
  - CENTER PEG IS AN INTERFERENCE FIT TO RECOMMENDED P.C. BOARD HOLE.

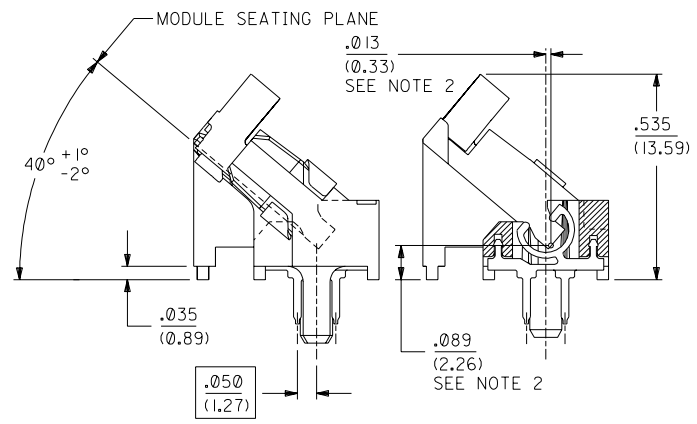
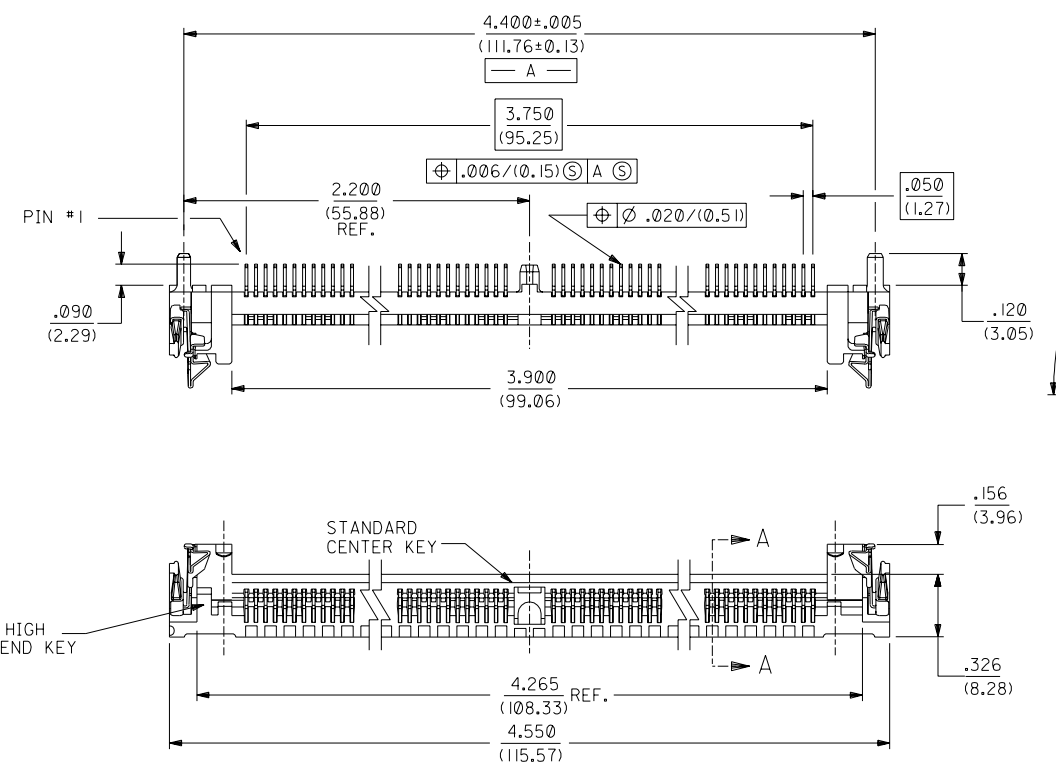
MATERIALS:

- HOUSING: LCP, GLASS FILLED, 94V-0. COLOR: BLACK.
- LATCH: STAINLESS STEEL.
- TERMINAL: PHOSPHOR BRONZE, POST PLATED
- 30  $\mu\text{m}$  / (1.076  $\mu\text{m}$ ) MINIMUM GOLD IN CONTACT AREA AND
- 150  $\mu\text{m}$  / (3.81  $\mu\text{m}$ ) MINIMUM TIN IN TAIL AREA OVER
- 75  $\mu\text{m}$  / (1.91  $\mu\text{m}$ ) MINIMUM NICKEL OVERALL.

THE PRIMARY SHIPPING CARTON WILL BE LABELED "COMPLIANT TO ROHS DIRECTIVE 2002/95/EC AND ELV ANNEX II OF DIRECTIVE 2000/53/EC". CARTONS WITHOUT THIS LABEL MAY CONTAIN PRODUCT WITH LEAD.



RECOMMENDED SOCKET P.C. BOARD HOLE PATTERN



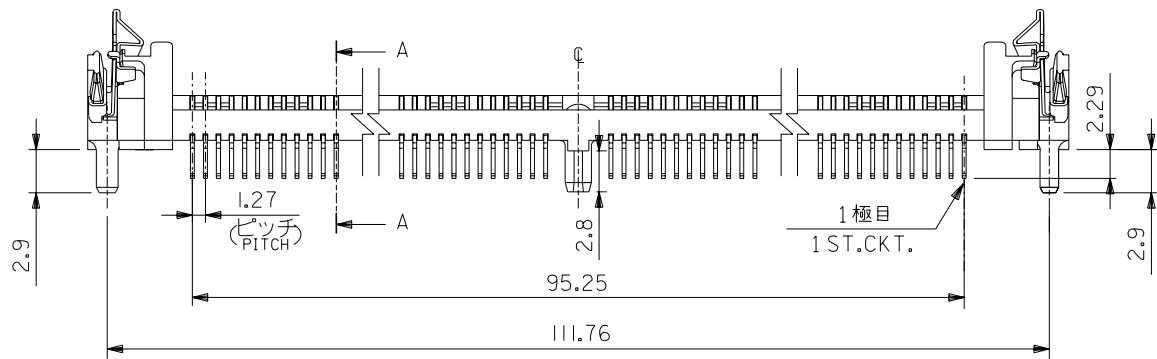
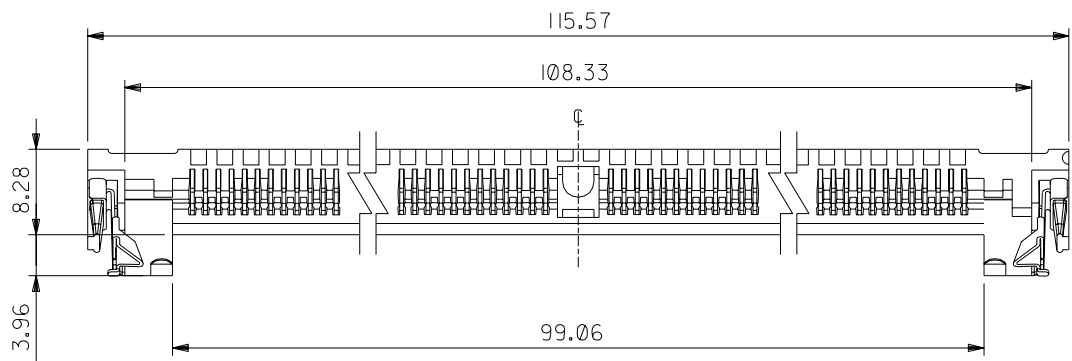
END VIEW SCALE 4:1 SECTION A-A SCALE 4:1

K	LEAD FREE UCP 004 1582 RWHITE 04/03/03
J	REVISED PER ECN # U51393 CMY 7-25-95
II	CORRECTED TEXT PER ECN # U50199 MJS 10-6-94
I	.050 BASIC TAIL DIM. PER ECN # U30092 PDB 01-21-93
H	.010 BLOCK TOL WAS .050 PER ECN # U21290 PDB 08-27-92
G	REMOVE TRACKING TOES PER ECN # U20978 PDB 06-29-92
F	REVISED GEOMETRY PER ECN # U20157 PDB 02-10-92
E	CORRECT HOLE PATTERN PER ECN # U11932 PDB 09-25-91
D	REVISED SALES MASTER PER ECN # U1129 PDB 06-26-91
C	REVISED PER ECN # U00860 PDB 11-06-90
B	REVISED PER ECN # U00635 PDB 08-20-90
A	RELEASE TO MFG. PER ERO # 30214 PDB 07-30-90

DIMENSIONS SHOWN (METRIC) INCH UNLESS OTHERWISE SPECIFIED TOLERANCES: ANGULAR ± 1/2°		▽ = 0 ▽ = 0 REVISE ONLY ON CAD SYSTEM	
3 PLACE ± .010	---	TITLE	
2 PLACE ± .014 ± 0.25	---	SALES ASSY. 72 CIRCUIT 40° METAL LATCH HIGH KEY SINGLE ROW SIMM SOCKET	
1 PLACE --- ± 0.36	---	SHEET NO. DATE	
DRAFT WHERE APPLICABLE MUST REMAIN WITHIN DIMENSIONS		MOLEX INCORPORATED 1 OF 1 07/30/90	
PART NO. 15-82-0627		DRWG. NO. SDA-78976-7232	
DRWG. PDB		FILE NAME 57897605	
BY		THIS DRAWING CONTAINS INFORMATION THAT IS PROPRIETARY TO MOLEX INC. AND SHOULD NOT BE USED WITHOUT WRITTEN PERMISSION	
SCALE 2:1		DIV. DA	

DWG. NO.  
SDA-78976-7232

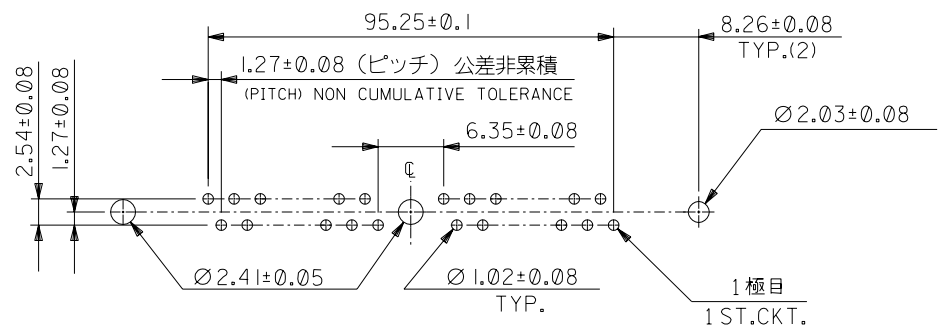
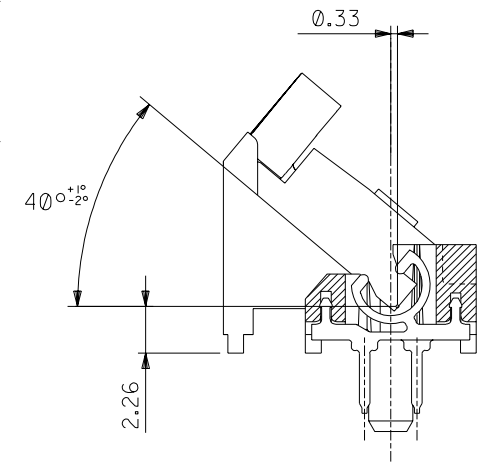
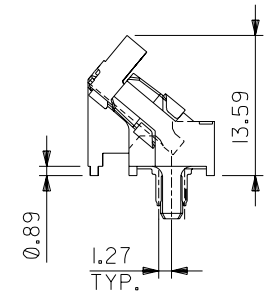
DIMENSIONS IN METRIC DO NOT SCALE DRAWING



注記 NOTES.

1. 材料 MATERIAL  
 1-1 ハウジング: ガラス入り耐熱樹脂 色:黒 UL94V-0  
 HOUSING : G.F. HEAT RESISTANT PLASTIC  
 COLOR:BLACK UL94V-0  
 1-2 ターミナル: 燐青銅  
 TERMINAL : PHOSPHOR BRONZE  
 1-3 ラッチ : パネ用ステンレス鋼  
 LATCH : STAINLESS SPRING STEEL

2. メッキ仕様 (ターミナル)  
 PLATING (TERMINAL)  
 接点部 : 金メッキ 0.76μm MIN.  
 CONTACT AREA:GOLD 0.76 MICROMETER MINIMUM  
 半田付け部: 錫メッキ 3.81μm MIN.  
 SOLDER TAIL AREA:TIN 3.81 MICROMETER MINIMUM  
 下地メッキ: ニッケルメッキ 1.91μm MIN.  
 UNDER-PLATING:NICKEL 1.91 MICROMETER MINIMUM



基板取付穴推奨寸法  
RECOMMENDED PCB LAYOUT  
(部品実装側  
VIEW ON COMPONENT SIDE)

角度 ANGLE	±3°
30以上 OVER	+0.3
10以上 30 UNDER	+0.25
未滿 10 UNDER	+0.2
一般公差 GENERAL TOLERANCES	

記号 LTR	変更内容 REVISION RECORD	DR. CHK.	日付 DATE
0	新規作成 (T30578)	S.M.S.	93/11/25
A	変更 (J2004-4492)	S.M.S.	04/05/31

材料 MATERIAL	注記参照 SEE NOTES
仕上げ FINISH	注記参照 SEE NOTES
適用電線範囲 WIRE RANGE	—
被覆外径 INS. RANGE	—
DRAWN BY	CHK'D BY
APP'D BY	尺度 SCALE 2 - 1

78976-7232	72
MATERIAL NO. 製品番号	CIRCUIT 極数
MOLEX-JAPAN CO.,LTD. 日本モレックス株式会社	
REVISE ONLY ON CAD SYSTEM	
TITLE 名称 40 DEG. SIMM SOCKET 72 CIRCUIT W/METAL LATCH -LEAD FREE-	
DWG. NO. SDA-78976-7232	REV A