



Chipsmall Limited consists of a professional team with an average of over 10 year of expertise in the distribution of electronic components. Based in Hongkong, we have already established firm and mutual-benefit business relationships with customers from,Europe,America and south Asia,supplying obsolete and hard-to-find components to meet their specific needs.

With the principle of “Quality Parts,Customers Priority,Honest Operation,and Considerate Service”,our business mainly focus on the distribution of electronic components. Line cards we deal with include Microchip,ALPS,ROHM,Xilinx,Pulse,ON,Everlight and Freescale. Main products comprise IC,Modules,Potentiometer,IC Socket,Relay,Connector.Our parts cover such applications as commercial,industrial, and automotives areas.

We are looking forward to setting up business relationship with you and hope to provide you with the best service and solution. Let us make a better world for our industry!



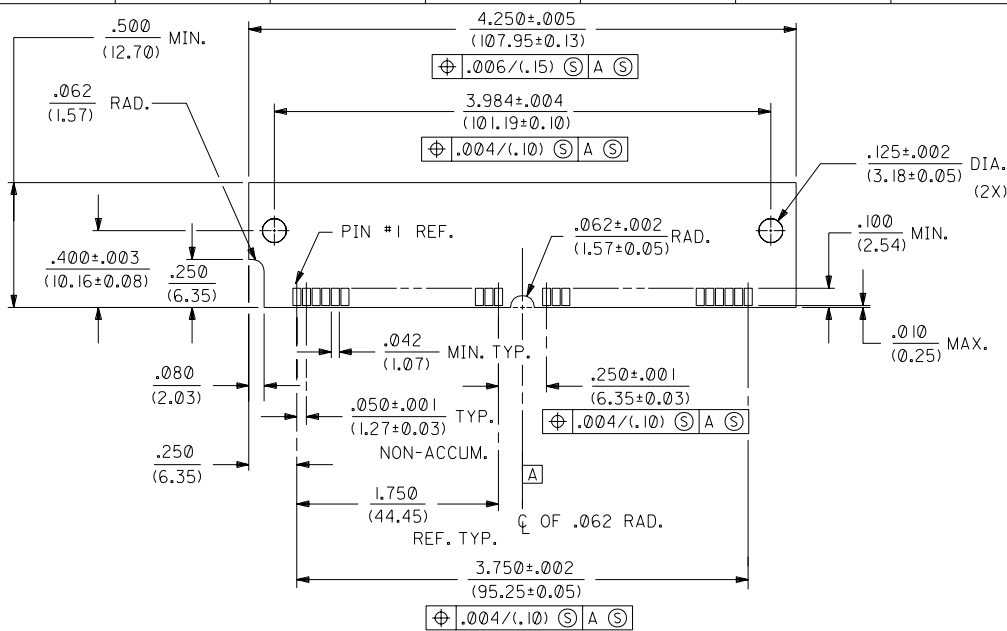
## Contact us

Tel: +86-755-8981 8866 Fax: +86-755-8427 6832

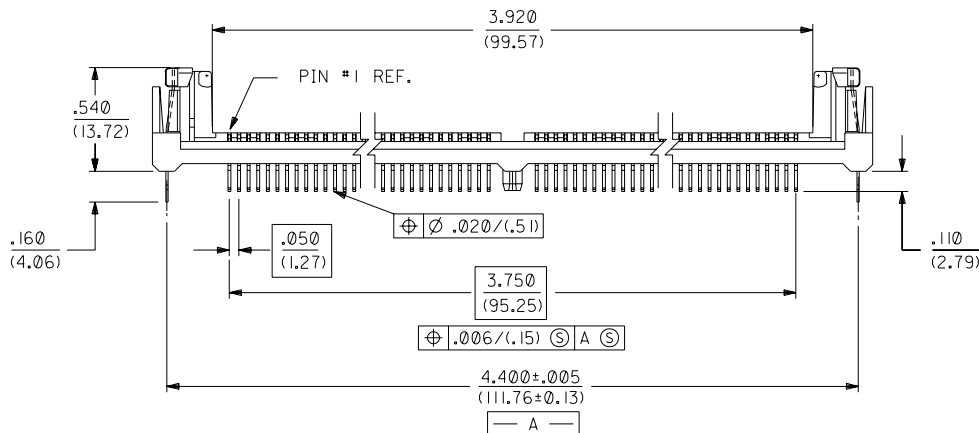
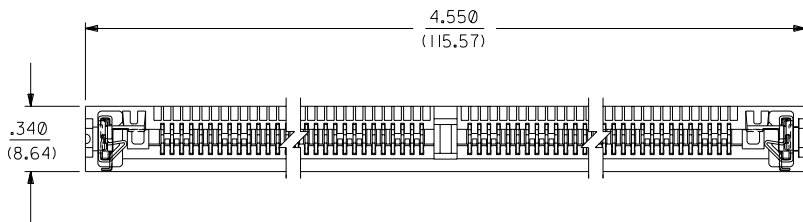
Email & Skype: info@chipsmall.com Web: www.chipsmall.com

Address: A1208, Overseas Decoration Building, #122 Zhenhua RD., Futian, Shenzhen, China





"SIMM" P.C. BOARD LAYOUT



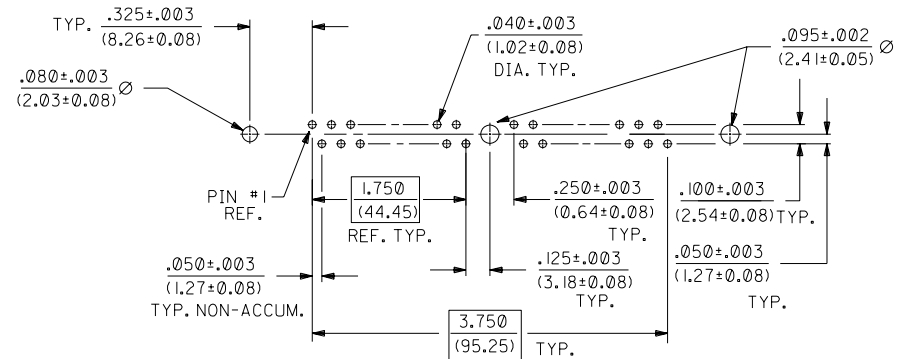
\*THE PRIMARY SHIPPING CARTON WILL BE LABELED "COMPLIANT TO RoHS DIRECTIVE 2002/95/EC AND ELV ANNEX II OF DIRECTIVE 2000/53/EC" CARTONS WITHOUT THIS LABEL MAY CONTAIN PRODUCT WITH LEAD.

- NOTES:
1. CARD SLOT ACCEPTS  $.050 + .004 / -.003$  P.C. BOARDS (MEASURED OVER P.C. PADS).
  2. PRODUCT SPEC PS-78954 APPLIES
  3. CENTER PEG IS AN INTERFERENCE FIT TO PCB UNLESS NOTED ON THE DWG. (APPLICABLE ONLY IF PART HAS A CENTER PEG FEATURE)

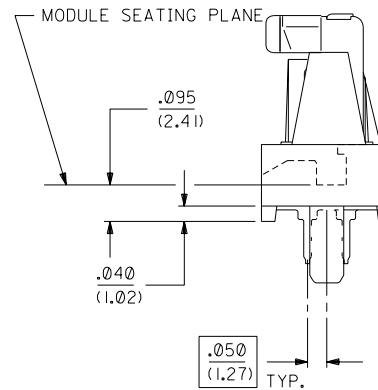
MATERIALS:

- HOUSING- LCP, GLASS FILLED, 94V-0, COLOR: BLACK
- TERMINAL- PHOSPHOR BRONZE
- PLATING- POST PLATED  $200 \mu\text{in}$  (5.08  $\mu\text{m}$ ) MINIMUM TIN IN CONTACT AREA AND  $150 \mu\text{in}$  (3.81  $\mu\text{m}$ ) MINIMUM TIN IN TAIL AREA OVER  $50 \mu\text{in}$  (1.27  $\mu\text{m}$ ) MINIMUM NICKEL OVERALL
- \* REFERENCE NOTE IN LOWER LEFT CORNER OF DRAWING.

METAL LATCH- STAINLESS STEEL



RECOMMENDED SOCKET P.C. BOARD HOLE PATTERN



END VIEW SCALE 4:1

|   |   |
|---|---|
| G | LEAD FREE<br>UCP2004-1582<br>WHITE 04/02/24         |
| F | REVISED<br>PER ECR U51309<br>GMY 8-18-95            |
| E | CHG. TAIL LENGTH<br>PER ECR U6-0102<br>DRS 07/28/95 |
| D | CHG. TAIL LENGTH<br>PER ECR U5-1246<br>DRS 06/13/95 |
| C | REDRAWN<br>PER ECR U20649<br>AMD 6-10-92            |
| B | REVISED/UPDATED<br>PER ECR U0-0647<br>SEC 9-21-90   |
| A | ADDED EDP<br>PER ECR 30152<br>KER 7-23-90           |
| I | X-RELEASE<br>PER ECR 30151<br>KER 7-13-90           |

|  |  |  |  |
|--|--|--|--|
| DIMENSIONS SHOWN (METRIC) INCH<br>UNLESS OTHERWISE SPECIFIED<br>TOLERANCES: ANGULAR ± 1/2° |  | ▽ = 0<br>= 0<br>REVISIONS  |  |
| TITLE  |  | SALES ASSEMBLY<br>72 CIRCUIT, METAL LATCH<br>VERTICAL SIMM SOCKET  |  |
| 3 PLACE ± .010 ---<br>2 PLACE ± .014 ± 0.25<br>1 PLACE --- ± 0.35                          |  | MOLEX INCORPORATED<br>LITSE, ILL. 60532 U.S.A. SHEET NO. 1 OF 1 DATE 07/13/90  |  |
| DRAFT WHERE APPLICABLE MUST<br>REMAIN WITHIN DIMENSIONS                                    |  | PART NO. 15-82-0775 DRWG. NO. SDA-78962-7231   |  |
| DRWG. BY KER CHK'D. BY   |  | FILE NAME S70562K39  |  |
| APPR. BY SCALE 2: 1  |  | THIS DRAWING CONTAINS INFORMATION THAT IS PROPRIETARY TO MOLEX INC. AND SHOULD NOT BE USED WITHOUT WRITTEN PERMISSION DA I C |  |