



Chipsmall Limited consists of a professional team with an average of over 10 year of expertise in the distribution of electronic components. Based in Hongkong, we have already established firm and mutual-benefit business relationships with customers from,Europe,America and south Asia,supplying obsolete and hard-to-find components to meet their specific needs.

With the principle of “Quality Parts,Customers Priority,Honest Operation,and Considerate Service”,our business mainly focus on the distribution of electronic components. Line cards we deal with include Microchip,ALPS,ROHM,Xilinx,Pulse,ON,Everlight and Freescale. Main products comprise IC,Modules,Potentiometer,IC Socket,Relay,Connector.Our parts cover such applications as commercial,industrial, and automotives areas.

We are looking forward to setting up business relationship with you and hope to provide you with the best service and solution. Let us make a better world for our industry!



Contact us

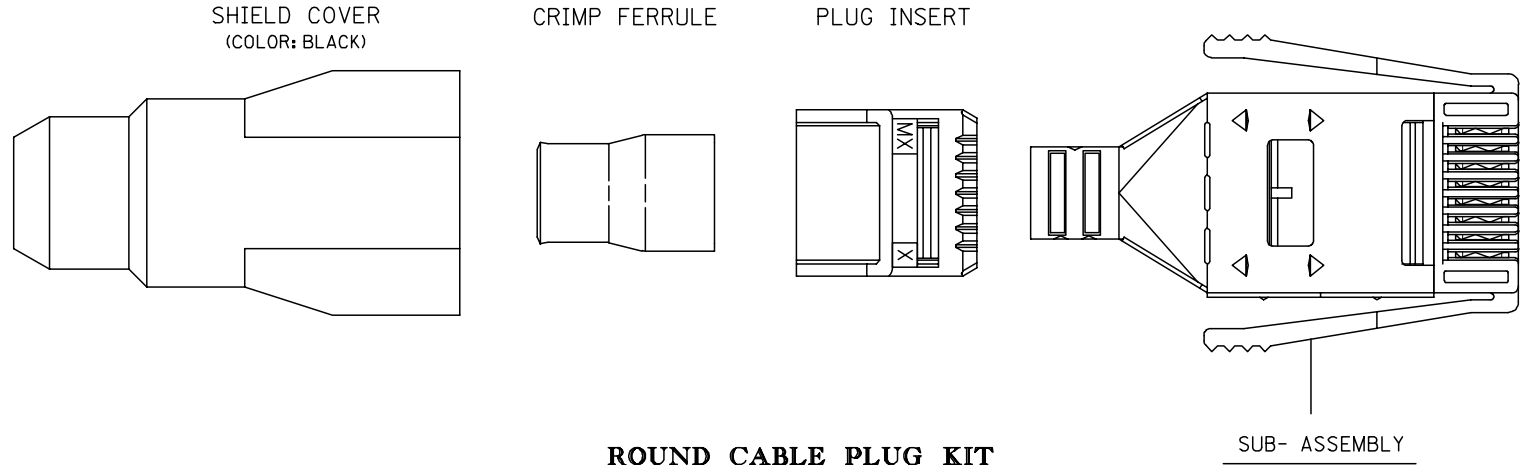
Tel: +86-755-8981 8866 Fax: +86-755-8427 6832

Email & Skype: info@chipsmall.com Web: www.chipsmall.com

Address: A1208, Overseas Decoration Building, #122 Zhenhua RD., Futian, Shenzhen, China



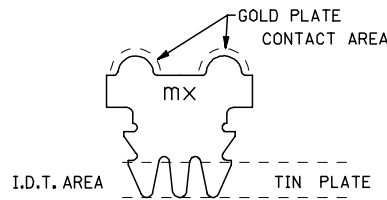
NON-KEYED OPTION MS-71310-0/3***		KEYING OPTION "1" MS-71310-1/4***		KEYING OPTION "2" MS-71310-2/5***		HSG. SIZE	CKT SIZE	DIM. "A"		DIM. "B"		DIM. "C"	
E.D.P. NUMBER	ENG. NUMBER	E.D.P. NUMBER	ENG. NUMBER	E.D.P. NUMBER	ENG. NUMBER			MM	IN.	MM	IN.	MM	IN.
015-83-0504	MS-71310-0004	015-83-0534	MS-71310-1004	015-83-0554	MS-71310-2004	4	4	9,30	.366	12,07	.475	17,22	.678
015-83-0506	MS-71310-0006	015-83-0536	MS-71310-1006	015-83-0556	MS-71310-2006	6	6	11,84	.466	14,61	.575	19,76	.778
015-83-0508	MS-71310-0008	015-83-0538	MS-71310-1008	015-83-0558	MS-71310-2008	8	8	14,38	.566	17,15	.675	22,30	.878
015-83-0516	MS-71310-0016	015-83-0546	MS-71310-1016	015-83-0566	MS-71310-2016	16	16	24,54	.966	27,31	1,075	32,46	1,278



ROUND CABLE PLUG KIT

NOTES:

- FOR ILLUSTRATION PURPOSES 8 CIRCUIT SHOWN.
- REFER TO PK-70873-0053 FOR STANDARD PACKAGING.
- MUST CONFORM TO AS-71310 AND PS-71350-A.
- MATERIAL:**
 - PLUG HOUSING: POLYCARBONATE ALLOY; COLOR: CLEAR
 - PLUG SHIELD: BRASS WITH 100 MICROINCH TIN PLATE OVER 50 MICROINCH NICKEL. (MOLEX ES-88 CODE I54)
 - CONTACTS: PHOSPHOR BRONZE, 50 MICRO-INCH GOLD SELECTIVE PLATE IN THE CONTACT AREA, 50 MICRO-INCH TIN SELECTIVE PLATE IN THE IDT AREA, BOTH OVER 50 MICRO-INCH NICKEL UNDERPLATE. (MOLEX ES-88 CODE 575).
 - PLUG INSERT: POLYCARBONATE ALLOY; COLOR: CLEAR.
 - CRIMP FERRULE: COPPER WITH 100 MICROINCHES OF BRIGHT TIN PLATE OVER 50 MICROINCHES OF NICKEL UNDERPLATE. (MOLEX SPEC ES-88 CODE I54)
 - SHIELD COVER: POLYESTER, UL 94V-0, COLOR:BLACK

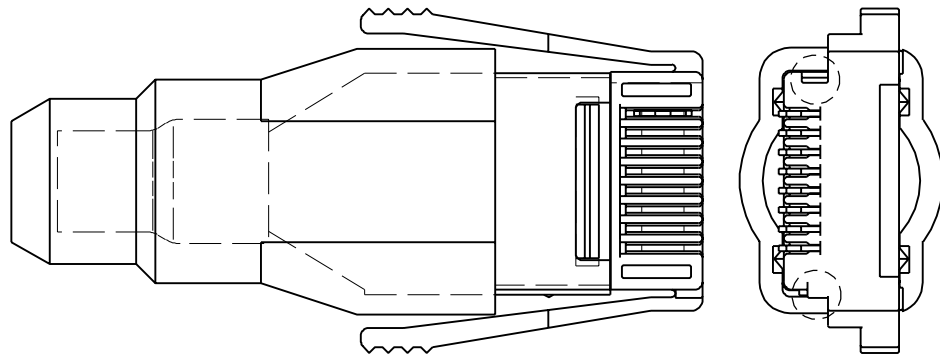


SIDE VIEW OF CONTACT

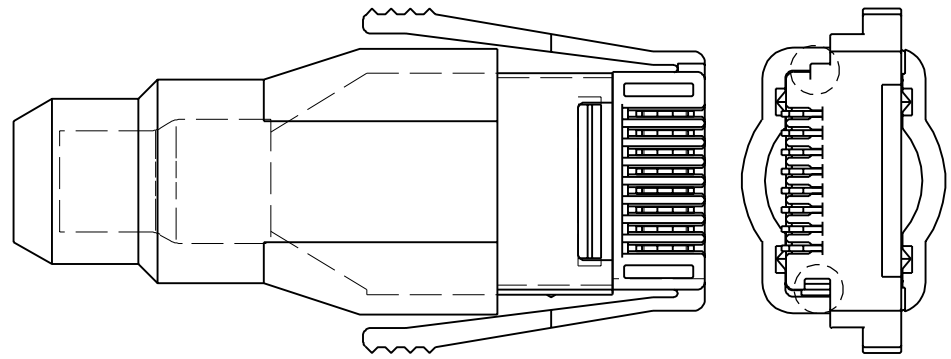
ROHS COMPLIANCE EPR NO. E2007-0364 DRAWN BY: GIBBY/FRNES DATE: 2006/11/24 CHECKED BY: JACOBSON DATE: 2006/11/27 APPROVED BY: JACOBSON DATE: 2006/11/27	QUALITY SYMBOLS ▽=0 ▽=0	GENERAL TOLERANCES (UNLESS SPECIFIED)		DIMENSION STYLE MM ONLY		SCALE 4:1	DESIGN UNITS METRIC	THIRD ANGLE PROJECTION	
		4 PLACES ± --- ± ---	mm	INCH	DRAWN BY J. LONG	DATE 1985/11/27	PLUG ASSEMBLY KIT SEMCONN		
		3 PLACES ± --- ± ---			CHECKED BY BIXLER	DATE 1985/11/27			
		2 PLACES ± --- ± ---			APPROVED BY IT	DATE 1985/11/27	MOLEX INCORPORATED		
MATERIAL NO.		DOCUMENT NO.		SHEET NO.					
SEE CHART		SDMS-71310-***		1 OF 2		THIS DRAWING CONTAINS INFORMATION THAT IS PROPRIETARY TO MOLEX INCORPORATED AND SHOULD NOT BE USED WITHOUT WRITTEN PERMISSION			

13 12 11 10 9 8 7 6 5 4 3 2 1

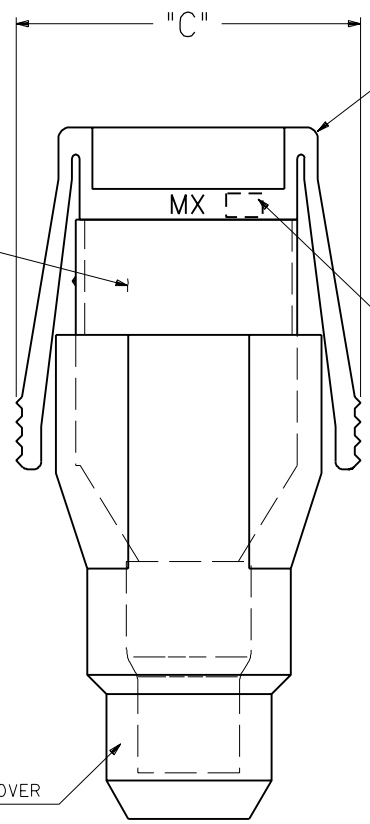
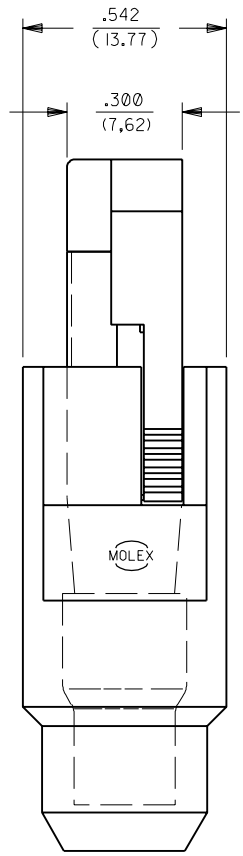
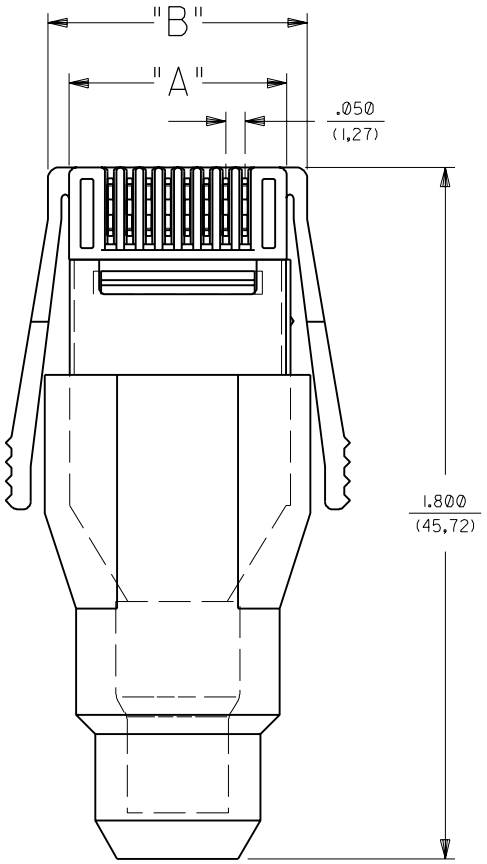
71310



KEYING OPTION "1"



KEYING OPTION "2"



TERMINATED VIEWS

SEE SHEET 1 FOR DIMENSIONS

E	SEE SHEET 1
D	SEE SHEET 1
C	SEE SHEET 1
B	SEE SHEET 1
A	SEE SHEET 1
I	SEE SHEET 1

DIMENSIONS SHOWN (METRIC) INCH		=		=		REVISE ONLY ON CAD SYSTEM	
UNLESS OTHERWISE SPECIFIED TOLERANCES ANGULAR ± 1/2°							
3 PLACE	±	---	---	---	---	---	---
2 PLACE	±	---	---	---	---	---	---
1 PLACE	---	---	---	---	---	---	---
DRAFT WHERE APPLICABLE MUST REMAIN WITHIN DIMENSIONS							
DRWG. BY: <i>J. Long</i>	CHK'D. BY: CAB	PART NO. SEE CHART		DRWG. NO. SDMS-71310-*****		TITLE: STD. SEMCONN - PLUG ASS'Y SHIELD ROUND CABLE WITH BLACK COVER	
APP'D. BY: JRT	SCALE: 4 : 1	FILE NAME: S71310X02	MOLEX INC. AND SHOULD NOT BE USED WITHOUT WRITTEN PERMISSION	SHEET NO.: 2	DATE: 11/27/85	MFG. SH. REV. LTR. REVISIONS	

13 12 11 10 9 8 7 6 5 4 3 2 1

71310