



Chipsmall Limited consists of a professional team with an average of over 10 year of expertise in the distribution of electronic components. Based in Hongkong, we have already established firm and mutual-benefit business relationships with customers from,Europe,America and south Asia,supplying obsolete and hard-to-find components to meet their specific needs.

With the principle of “Quality Parts,Customers Priority,Honest Operation,and Considerate Service”,our business mainly focus on the distribution of electronic components. Line cards we deal with include Microchip,ALPS,ROHM,Xilinx,Pulse,ON,Everlight and Freescale. Main products comprise IC,Modules,Potentiometer,IC Socket,Relay,Connector.Our parts cover such applications as commercial,industrial, and automotives areas.

We are looking forward to setting up business relationship with you and hope to provide you with the best service and solution. Let us make a better world for our industry!



Contact us

Tel: +86-755-8981 8866 Fax: +86-755-8427 6832

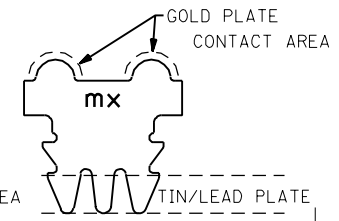
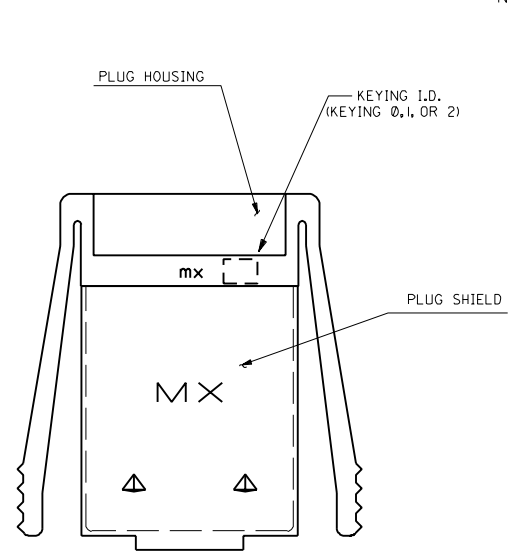
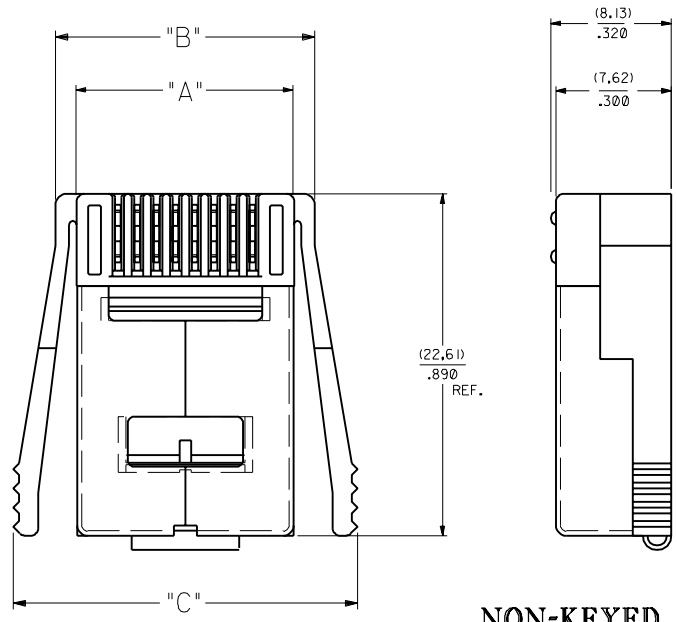
Email & Skype: info@chipsmall.com Web: www.chipsmall.com

Address: A1208, Overseas Decoration Building, #122 Zhenhua RD., Futian, Shenzhen, China



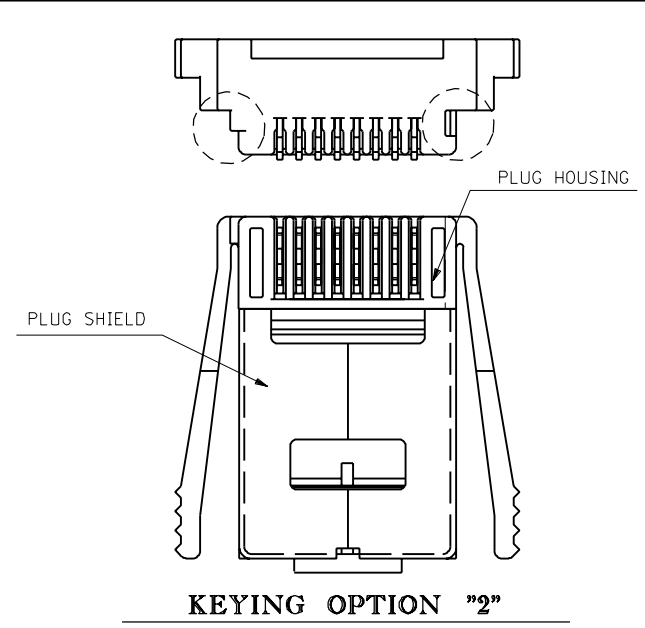
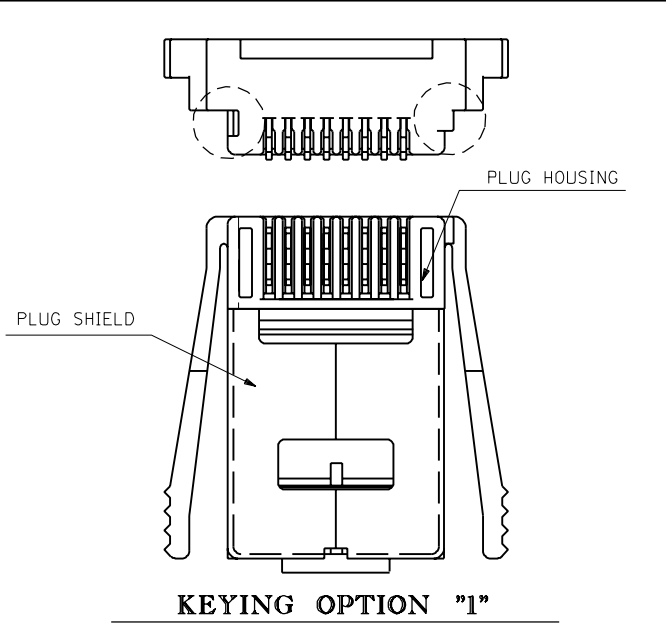
NON-KEYED VERSION A-71350-00**		KEYING OPTION "1" A-71350-10**		KEYING OPTION "2" A-71350-20**		CKT. SIZE	DIM. "A"		DIM. "B"		DIM. "C"	
E.D.P. NUMBER	ENG. NUMBER	E.D.P. NUMBER	ENG. NUMBER	E.D.P. NUMBER	ENG. NUMBER		MM	IN.	MM	IN.	MM	IN.
015-83-0604	A-71350-0004	015-83-0634	A-71350-1004	015-83-0654	A-71350-2004	04	9,30	.366	12,06	.475	17,22	.678
015-83-0606	A-71350-0006	015-83-0636	A-71350-1006	015-83-0656	A-71350-2006	06	11,84	.466	14,60	.575	19,76	.778
015-83-0608	A-71350-0008	015-83-0638	A-71350-1008	015-83-0658	A-71350-2008	08	14,38	.566	17,14	.675	22,30	.878
015-83-0616	A-71350-0016	015-83-0646	A-71350-1016	015-83-0666	A-71350-2016	16	24,54	.966	27,31	1.075	32,46	1.278

- NOTES:
- FOR ILLUSTRATION PURPOSES 8 CIRCUIT SHOWN.
 - REFER TO PK-70873-0054 FOR STANDARD PACKAGING.
 - MUST CONFORM TO PS-71350-A & AS-71350.
 - MATERIAL:
 PLUG HOUSING: POLYCARBONATE ALLOY; COLOR: CLEAR
 PLUG SHIELD: BRASS WITH 100 MICRO-INCH TIN PLATE OVER 50 MICRO-INCH NICKEL.(MOLEX ES-88 CODE 154)
 CONTACTS: PHOSPHOR BRONZE, 50 MICRO-INCH GOLD SELECTIVE PLATE IN THE CONTACT AREA, 50 MICRO-INCH TIN/LEAD SELECTIVE PLATE IN THE IDT AREA, BOTH OVER 50 MICRO-INCH NICKEL UNDERPLATE. (MOLEX ES-88 CODE 575).



NON-KEYED VERSION

SIDE VIEW OF CONTACT
SEE MATERIAL NOTE ABOVE



FI	UPDATED NOTE 3 PER D072002-0476 09/25/01 ICAR/KCI
F	REVISED IGCKT DIM. PER ECR * J10523 02/22/91 MURPHY
E	REVISED NOTES PER ECR #UB1804 8/17/88 BIXLER
D	REVISED DIM. "C" PER ECR * 10566 10/26/87 CB/JL
C	REVISED PER DETAILS PER ECR * 10145 5/29/87 CAB
B	REVISED PER ECR * 9274 07/10/86 J. LONG
A	ADDED EDP NO.5 PER ECR * 22328 06/06/86 J. LONG
I	X-RELEASE PER ECR * 21435 11/26/85 J. LONG

MFG. SH. REV. LTR. REVISIONS

DIMENSIONS SHOWN (METRIC) INCH
UNLESS OTHERWISE SPECIFIED
TOLERANCES ANGULAR ± 1/2°

3 PLACE	±	---	---
2 PLACE	±	---	---
1 PLACE	---	±	---

DRAFT WHERE APPLICABLE MUST REMAIN WITHIN DIMENSIONS

SEE CHART

MOLEX INCORPORATED
1151E, ILL. 60532 U.S.A.

SHEET NO. 1 OF 1 DATE 11/23/85

FILE NAME S71350X01.DWG

THIS DRAWING CONTAINS INFORMATION THAT IS PROPRIETARY TO MOLEX INC. AND SHOULD NOT BE USED WITHOUT WRITTEN PERMISSION.

71350

A