



Chipsmall Limited consists of a professional team with an average of over 10 year of expertise in the distribution of electronic components. Based in Hongkong, we have already established firm and mutual-benefit business relationships with customers from,Europe,America and south Asia,supplying obsolete and hard-to-find components to meet their specific needs.

With the principle of “Quality Parts,Customers Priority,Honest Operation,and Considerate Service”,our business mainly focus on the distribution of electronic components. Line cards we deal with include Microchip,ALPS,ROHM,Xilinx,Pulse,ON,Everlight and Freescale. Main products comprise IC,Modules,Potentiometer,IC Socket,Relay,Connector.Our parts cover such applications as commercial,industrial, and automotives areas.

We are looking forward to setting up business relationship with you and hope to provide you with the best service and solution. Let us make a better world for our industry!



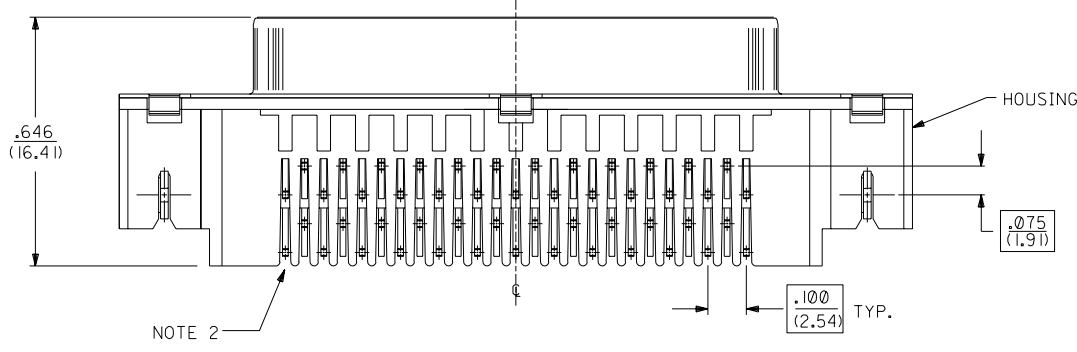
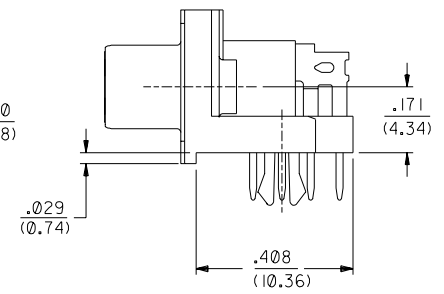
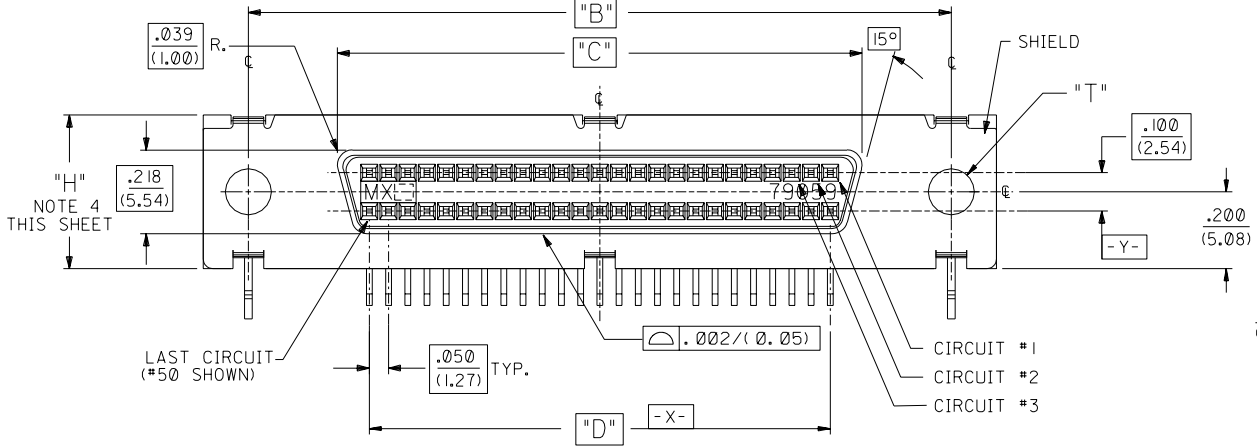
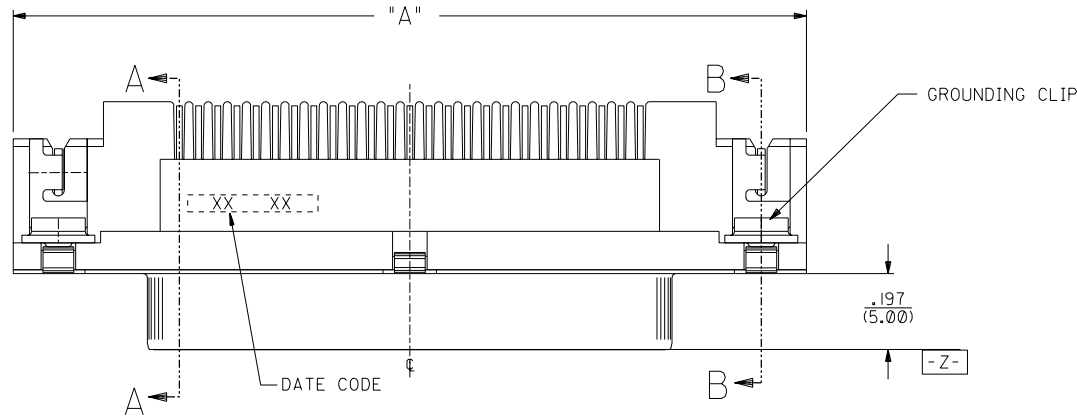
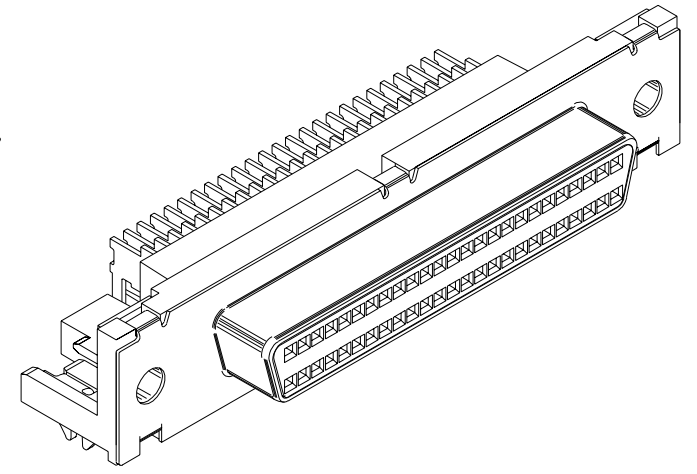
Contact us

Tel: +86-755-8981 8866 Fax: +86-755-8427 6832

Email & Skype: info@chipsmall.com Web: www.chipsmall.com

Address: A1208, Overseas Decoration Building, #122 Zhenhua RD., Futian, Shenzhen, China





NOTES:

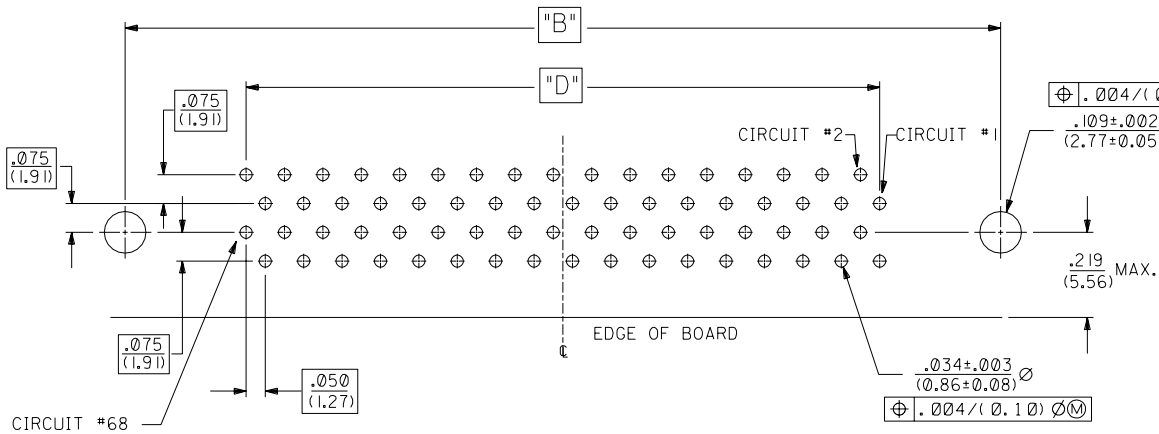
- 1. SEE SHEETS 3 AND 4 FOR PART NO'S. AND CHARTED DIMENSIONS.
- 2. TAIL / PCB PATTERN FIXED AT LAST CIRCUIT POSITIONS FOR ALL CIRCUIT SIZES AT END SHOWN.(B12).
- 3. SEE SHEET 2 FOR ALL ADDITIONAL NOTES.
- 4. THE "H" DIMENSION APPLIES ONLY TO THE PLASTIC HOUSING AND NOT THE SHIELD.

4	N
3	N
2	N
1	N
MFG. SH. REV.	

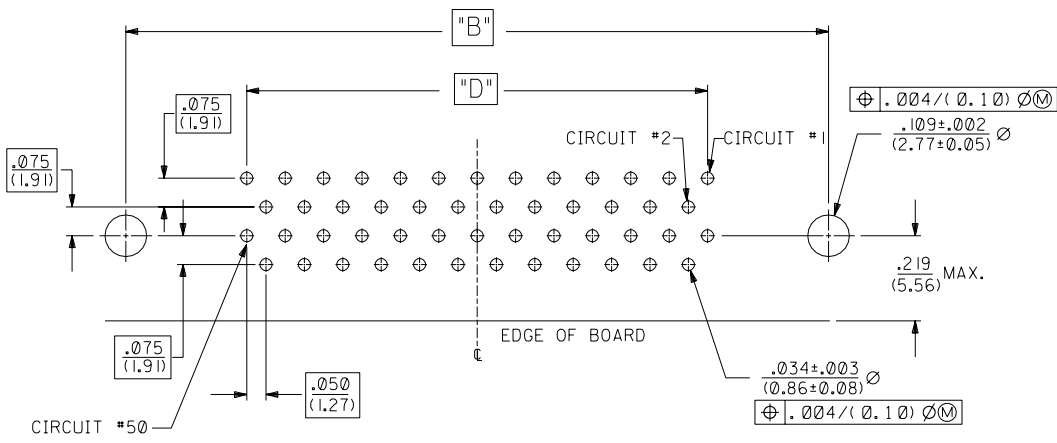
N	OBSOLETE PART # ECR* UCP2005-0311 BSMART 04/08/09	K2	NOTES ON SHEETS 4,5 FOR SCREWLOKS ECN UCP2004-0240 RWHITE 03/07/31 ADDED NOT TOOLED TO CHART PER EC *UDT1999-0167 J. LONG N98/09/08
M	LEADFREE ECR* UCP2004-1925 DMORGAN 04/04/06	K1	REVISED CHART PER EC # U81346 J. LONG 97/12/12
LTR.	REVISIONS	LTR.	REVISIONS

DIMENSIONS SHOWN (METRIC) INCH	
UNLESS OTHERWISE SPECIFIED TOLERANCES: ANGULAR ± 1/2°	
3 PLACE ± .005	---
2 PLACE ± ---	± 0.13
1 PLACE ---	± ---
DRAFT WHERE APPLICABLE MUST REMAIN WITHIN DIMENSIONS	
DRW. BY J. Long	CHK'D. BY BOWEN
APP'D. BY DJB	SCALE 4 : 1

REVISE ONLY ON CAD SYSTEM	
TITLE SALES ASSEMBLY SCSI SHIELDED RECEPTACLE	
MOLEX INCORPORATED LITSE,ILL. 60532	SHEET NO. U.S.A. 1 OF 4
DATE 03/27/89	
PART NO. SEE CHARTS	DRWG. NO. SDA-79059-1***
FILE NAME 579059A1.DGN	THIS DRAWING CONTAINS INFORMATION THAT IS PROPRIETARY TO MOLEX INC. AND SHOULD NOT BE USED WITHOUT WRITTEN PERMISSION.
DIV. DC	SIZE C



TYPE 1168 CKT P.C. BOARD LAYOUT
CONNECTOR SIDE (SCALE 4:1)

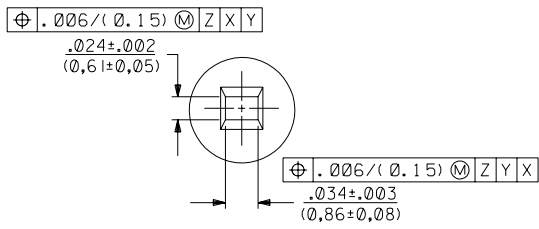


TYPE 150 CKT P.C. BOARD LAYOUT
CONNECTOR SIDE (SCALE 4:1)

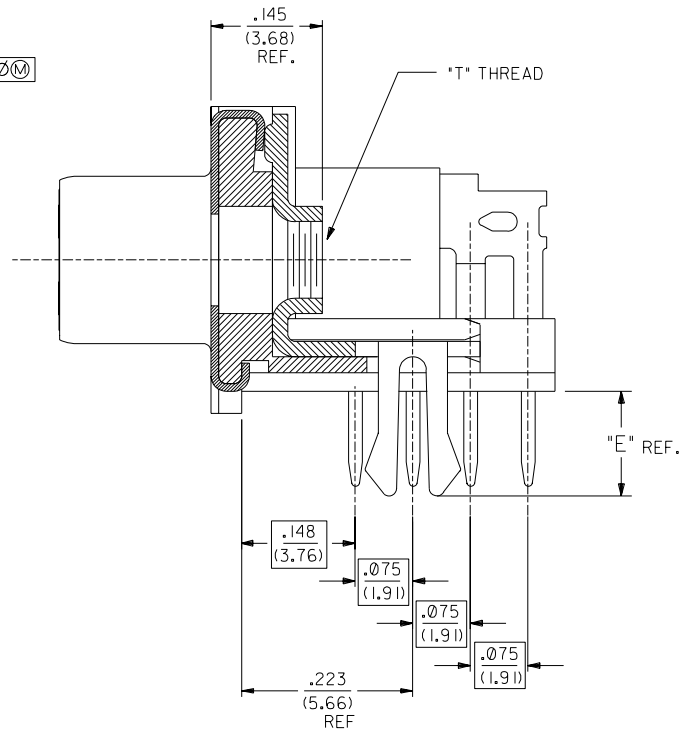
NOTES:

- REFER TO PS-79058 PRODUCT SPEC. FOR ELECTRICAL, MECHANICAL AND ENVIRONMENTAL SPECIFICATIONS.
- MATERIAL:
RECEPTACLE HOUSING: GLASS FILLED LCP (LIQUID CRYSTAL POLYMER); COLOR-BLACK; UL 94V-0
CONTACTS: PHOSPHOR BRONZE
SHIELD: STEEL WITH BRIGHT TIN OVER NICKEL PLATING OVER COPPER FLASH.
GROUNDING CLIP: BRASS WITH TIN OVER NICKEL PLATE
- PACKAGING:
PARTS PACKAGED IN TUBES PER PK-70873-0207
- PLATING:
SELECTIVE GOLD: THICKNESS= 30 MICROINCHES/(0.76 MICROMETERS) MINIMUM.
SELECTIVE TIN: THICKNESS= 75 MICROINCHES/(1.90 MICROMETERS) MINIMUM.
NICKEL UNDERPLATE OVERALL.

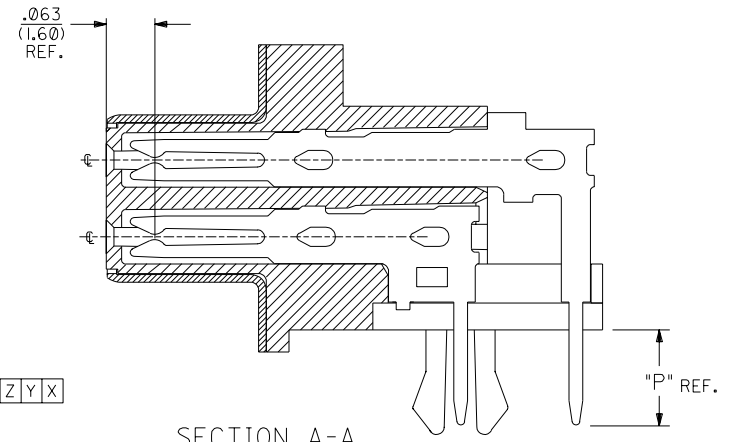
NOTE FOR LEAD FREE CONVERSION:
THE PRIMARY SHIPPING CARTON WILL BE LABELED "COMPLIANT TO RoHS DIRECTIVE 2002/95/EC AND ELV ANNEX II OF DIRECTIVE 2000/53/EC". CARTONS WITHOUT THIS LABEL MAY CONTAIN PRODUCT WITH LEAD.



PIN WINDOW DETAIL
SCALE 10:1



SECTION B-B



SECTION A-A
SEE NOTE 2 (SHEET 1)

LTR.	REVISIONS	LTR.	REVISIONS
N	SEE SHEET 1	JI	SEE SHEET 1
M	SEE SHEET 1	I	SEE SHEET 1

DIMENSIONS SHOWN (METRIC) INCH	
5 PLACE ± .005	---
2 PLACE ± ---	± 0.15
1 PLACE ---	± ---

MFG. SH. REV.		REVISE ONLY ON CAD SYSTEM	
TITLE SCSI SHIELDED RECEPTACLE ASSEMBLY			
PART NO. MOLEX INCORPORATED L15LEJLL 60532		SHEET NO. 2	DATE 08/14/89
DRAWN BY D.J.B.		CHK'D BY BOWEN	FILE NAME S79058A2
SCALE 8:1		SDA-79059-1***	
THIS DRAWING CONTAINS INFORMATION THAT IS PROPRIETARY TO MOLEX INC. AND SHOULD NOT BE USED WITHOUT WRITTEN PERMISSION.			
DC	DC	DC	DC

79059