



Chipsmall Limited consists of a professional team with an average of over 10 year of expertise in the distribution of electronic components. Based in Hongkong, we have already established firm and mutual-benefit business relationships with customers from,Europe,America and south Asia,supplying obsolete and hard-to-find components to meet their specific needs.

With the principle of “Quality Parts,Customers Priority,Honest Operation,and Considerate Service”,our business mainly focus on the distribution of electronic components. Line cards we deal with include Microchip,ALPS,ROHM,Xilinx,Pulse,ON,Everlight and Freescale. Main products comprise IC,Modules,Potentiometer,IC Socket,Relay,Connector.Our parts cover such applications as commercial,industrial, and automotives areas.

We are looking forward to setting up business relationship with you and hope to provide you with the best service and solution. Let us make a better world for our industry!



## Contact us

Tel: +86-755-8981 8866 Fax: +86-755-8427 6832

Email & Skype: info@chipsmall.com Web: www.chipsmall.com

Address: A1208, Overseas Decoration Building, #122 Zhenhua RD., Futian, Shenzhen, China



6

5

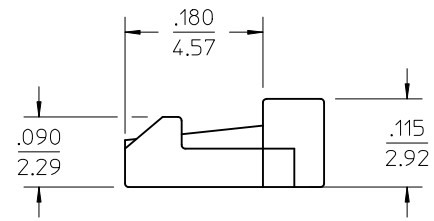
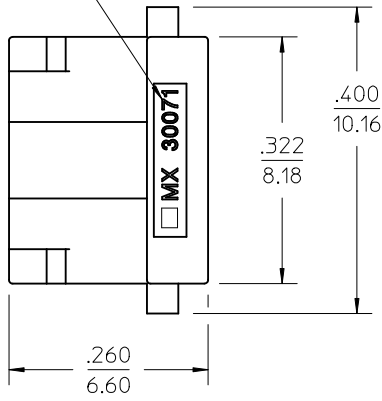
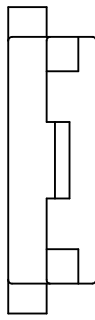
4

3

2

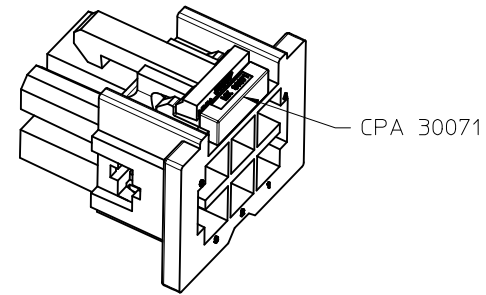
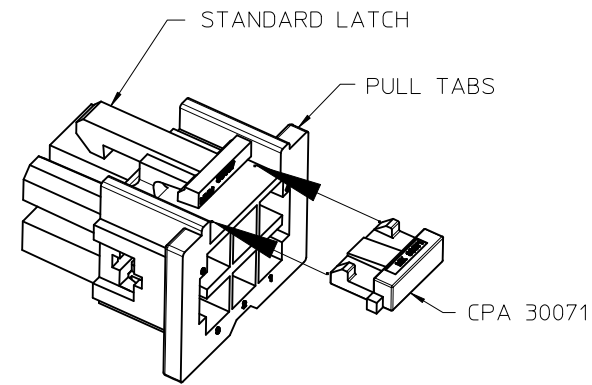
1

PART NO  
MOLEX ID  
CAVITY ID



NOTES:

- 1. MATERIAL: NYLON 6/6, 94V-2, COLOR: SEE CHART
- 2. FINISH: NOT APPLICABLE
- 3. PRODUCT SPEC: PS-5556-003
- 4. PACKAGING SPECIFICATION: PK-30071-0000
- 5. CPA FOR USE WITH ALL 30067 RECPT HOUSINGS AND SELECT 5557 RECPT HOUSINGS (5557 HSG MUST HAVE STANDARD LATCH AND PULL TABS AS SHOWN)



PART NO	ENG NO	COLOR:
15-97-0071	30071-0001	NATURAL
30071-0002	30071-0002	BLACK

ADD NOTE 4 EC NO: UCP2012-2732 DRWN: NGUYEN 2012/04/26 CHKD: APPR: FSMITH 2012/05/04 DESCRIPTION	REV	H2
---	-----	----

GENERAL TOLERANCES (UNLESS SPECIFIED)	
	mm INCH
4 PLACES	± --- ± ---
3 PLACES	± --- ± .010
2 PLACES	± 0.25 ± .014
1 PLACE	± 0.35 ± ---
ANGULAR ± 1/2°	
DRAFT WHERE APPLICABLE MUST REMAIN WITHIN DIMENSIONS	

DIMENSION STYLE IN/MM	
DRAWN BY KSAMIEC	DATE 2010/11/15
CHECKED BY	DATE
APPROVED BY JCOMERC I	DATE 2010/11/19
MATERIAL NO. SEE CHART	
SIZE A	

SCALE 4:1	DESIGN UNITS INCH	THIRD ANGLE PROJECTION
TITLE CONNECTOR POSITION ASSURANCE (CPA) FOR MINI-FIT T.P.A.		
MOLEX INCORPORATED		
MATERIAL NO. SD-30071-0000	DOCUMENT NO.	SHEET NO. 1 OF 1