



Chipsmall Limited consists of a professional team with an average of over 10 year of expertise in the distribution of electronic components. Based in Hongkong, we have already established firm and mutual-benefit business relationships with customers from,Europe,America and south Asia,supplying obsolete and hard-to-find components to meet their specific needs.

With the principle of “Quality Parts,Customers Priority,Honest Operation,and Considerate Service”,our business mainly focus on the distribution of electronic components. Line cards we deal with include Microchip,ALPS,ROHM,Xilinx,Pulse,ON,Everlight and Freescale. Main products comprise IC,Modules,Potentiometer,IC Socket,Relay,Connector.Our parts cover such applications as commercial,industrial, and automotives areas.

We are looking forward to setting up business relationship with you and hope to provide you with the best service and solution. Let us make a better world for our industry!



## Contact us

Tel: +86-755-8981 8866 Fax: +86-755-8427 6832

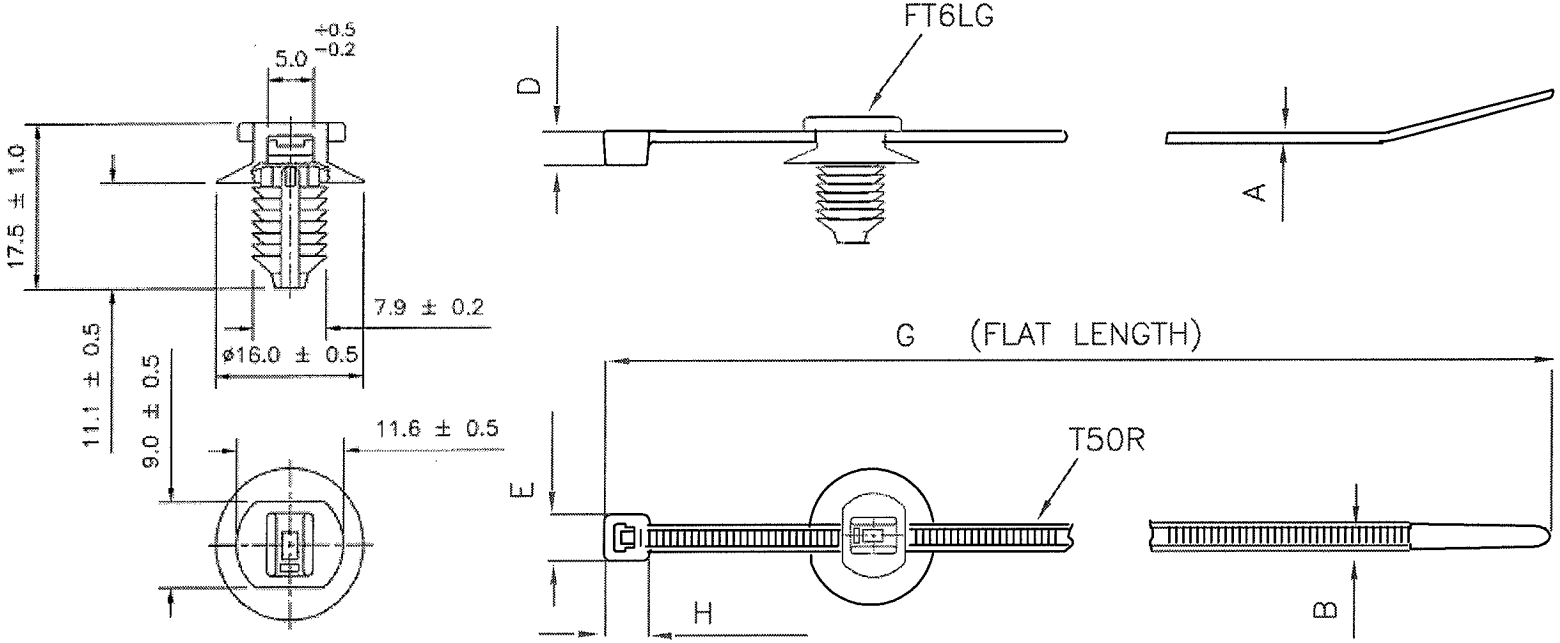
Email & Skype: info@chipsmall.com Web: www.chipsmall.com

Address: A1208, Overseas Decoration Building, #122 Zhenhua RD., Futian, Shenzhen, China



ACAD

Revision level		Revision Record	Changed	Date	Approved	Date
Part	Drawing					



A	B	D	E	G	H
1.2 ± 0.2	4.6 ± 0.2	5.9 ± 0.6	7.6 ± 0.9	202.0 ± 6.0	7.3 ± 0.7

Hole size (mm)  
6.5 to 7.0 ± 0.1

Panel thickness (mm)  
0.75 to 6.0

Bundle (mm)  
1.5 to 50

Tensile strength  
225N

Material P.A. 66

Dimension without tolerances details to:  
DIN 16901

Tolerances

PERFORMANCE SPECIFICATION

The copyright of this drawing is reserved by HELLERMANNTYTON. It is issued on condition that it is not reproduced, copied or disclosed to a third party, either wholly or in part, without the consent of HELLERMANNTYTON.

Drawn MANDY ONG 27/04/07  
Approved. EDWARD TAN 27/04/07

**HellermannTyton**  
545, Yishun Industrial Park A  
Yishun Avenue 7  
Singapore 768741  
Tel: (+65) 6852 8585  
Fax: (+65) 6756 6798

Scale not to scale

Title  
T50RFT6LG

Drawing-No  
SG07020-00

Format  
A4

Sheet 1 of 1

Uncontrolled Document