



Chipsmall Limited consists of a professional team with an average of over 10 year of expertise in the distribution of electronic components. Based in Hongkong, we have already established firm and mutual-benefit business relationships with customers from,Europe,America and south Asia,supplying obsolete and hard-to-find components to meet their specific needs.

With the principle of “Quality Parts,Customers Priority,Honest Operation,and Considerate Service”,our business mainly focus on the distribution of electronic components. Line cards we deal with include Microchip,ALPS,ROHM,Xilinx,Pulse,ON,Everlight and Freescale. Main products comprise IC,Modules,Potentiometer,IC Socket,Relay,Connector.Our parts cover such applications as commercial,industrial, and automotives areas.

We are looking forward to setting up business relationship with you and hope to provide you with the best service and solution. Let us make a better world for our industry!



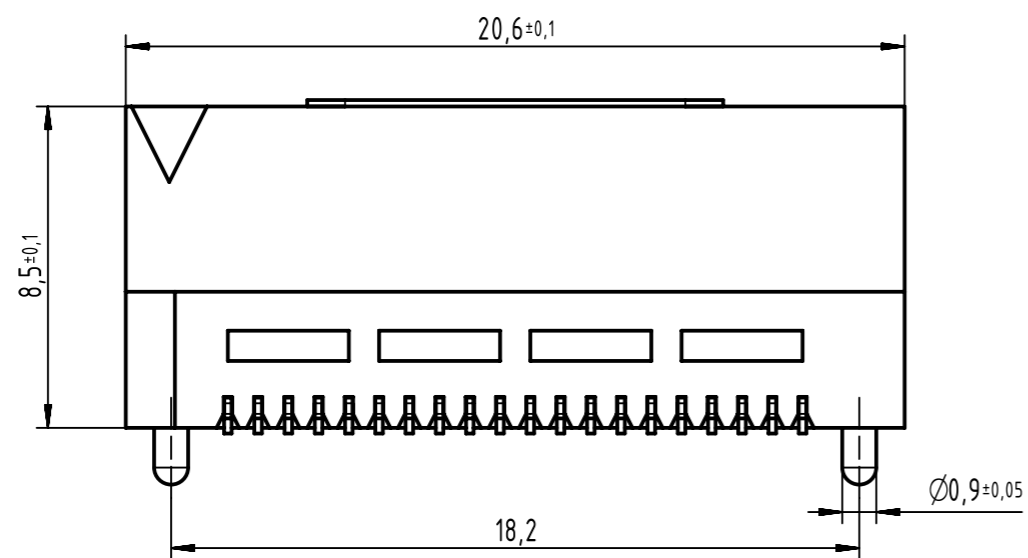
Contact us

Tel: +86-755-8981 8866 Fax: +86-755-8427 6832

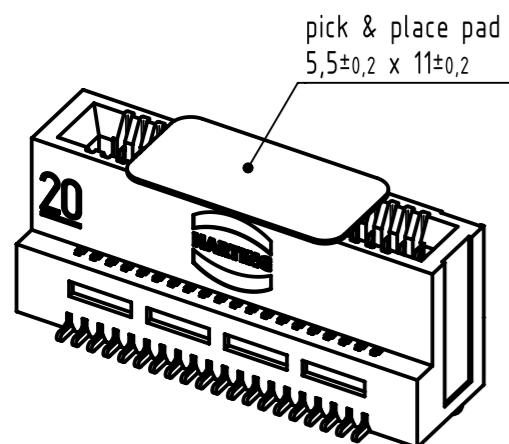
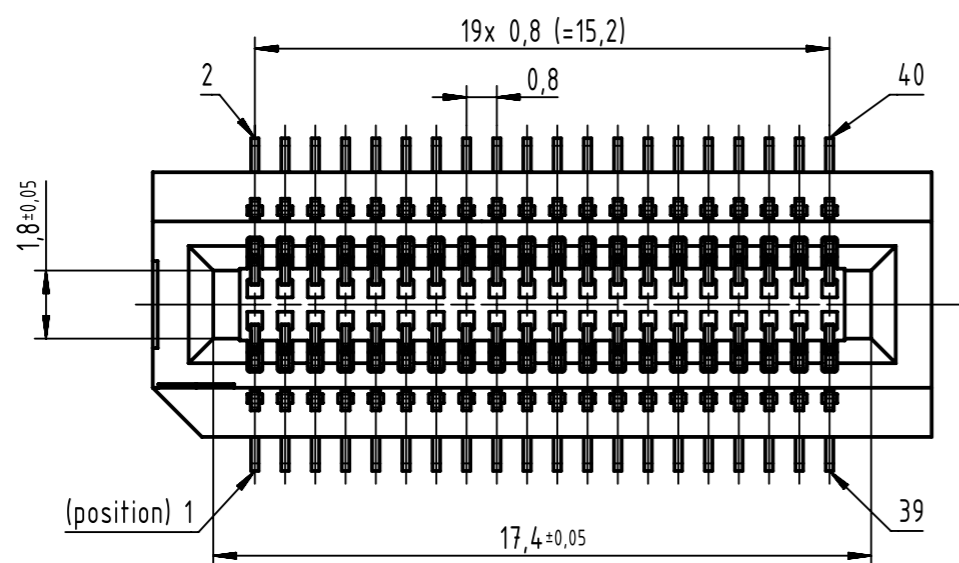
Email & Skype: info@chipsmall.com Web: www.chipsmall.com

Address: A1208, Overseas Decoration Building, #122 Zhenhua RD., Futian, Shenzhen, China

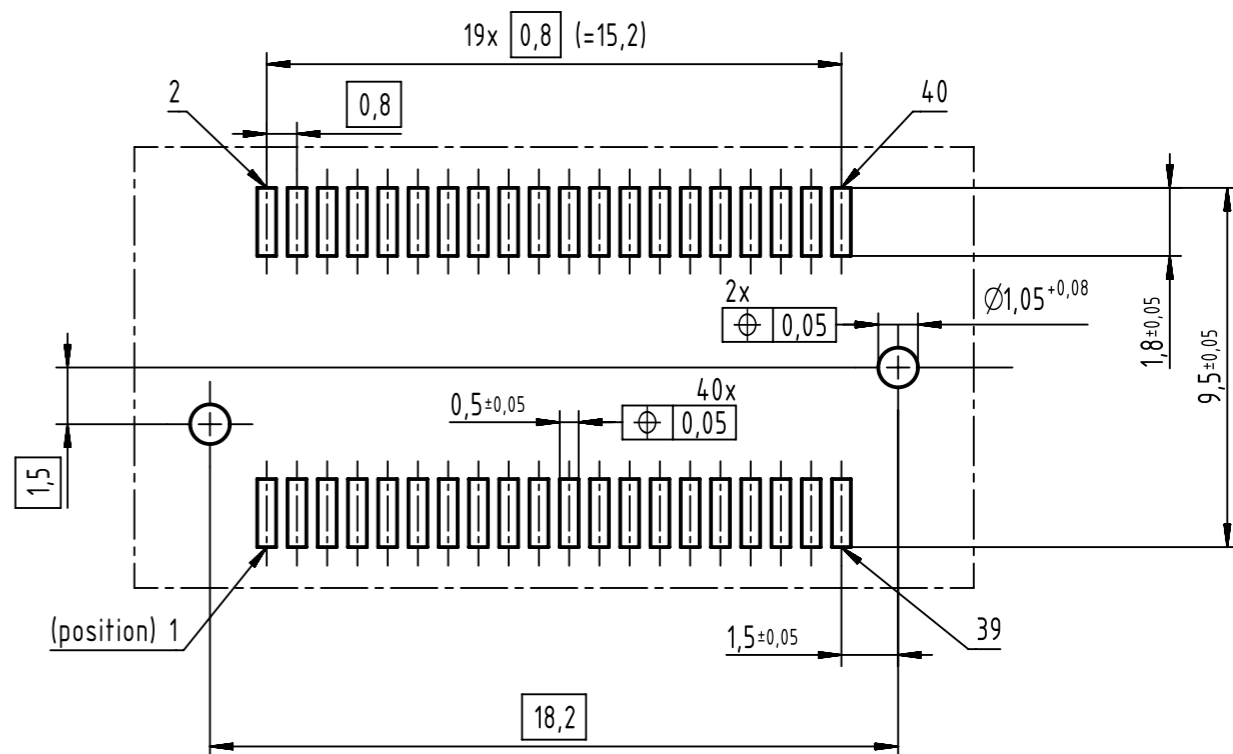




View without pick & place pad



Board layout



further information see DS 15002100301

	All rights reserved Department EC PD - DE	Created by TADJE	Inspected by ELLERMANN	Standardisation HOFFMANN	Date 2013-08-12	State Final Release	Ref. Sub. TB 15 02 040 4601 040, -042, -090
	HARTING Electronics GmbH D-32339 Espelkamp	Title Micro Card Edge connector 40 poles			Doc-Key / ECM-Nr. 100191026/UGD/010/A 50000065186		Rev. A
		Type TB	Number 15010404601XXX		Page 1/1		