



Chipsmall Limited consists of a professional team with an average of over 10 year of expertise in the distribution of electronic components. Based in Hongkong, we have already established firm and mutual-benefit business relationships with customers from,Europe,America and south Asia,supplying obsolete and hard-to-find components to meet their specific needs.

With the principle of “Quality Parts,Customers Priority,Honest Operation,and Considerate Service”,our business mainly focus on the distribution of electronic components. Line cards we deal with include Microchip,ALPS,ROHM,Xilinx,Pulse,ON,Everlight and Freescale. Main products comprise IC,Modules,Potentiometer,IC Socket,Relay,Connector.Our parts cover such applications as commercial,industrial, and automotives areas.

We are looking forward to setting up business relationship with you and hope to provide you with the best service and solution. Let us make a better world for our industry!



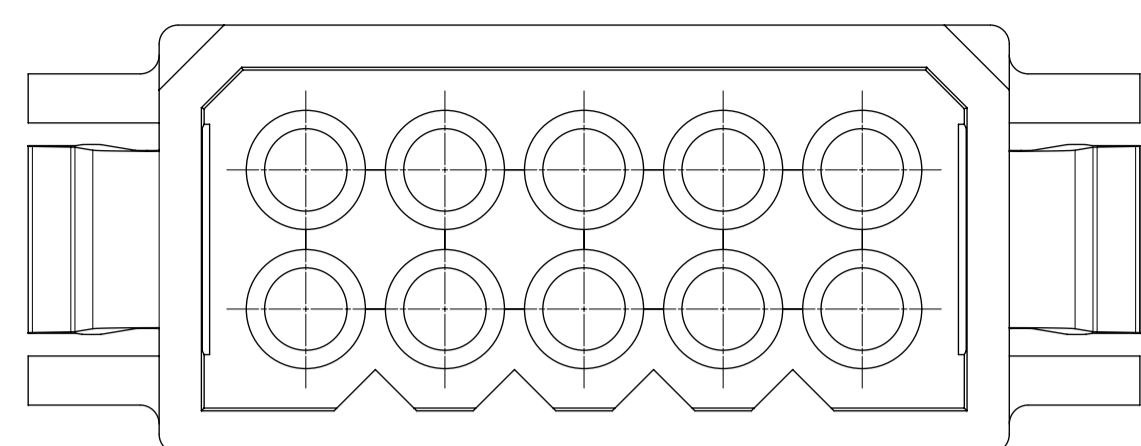
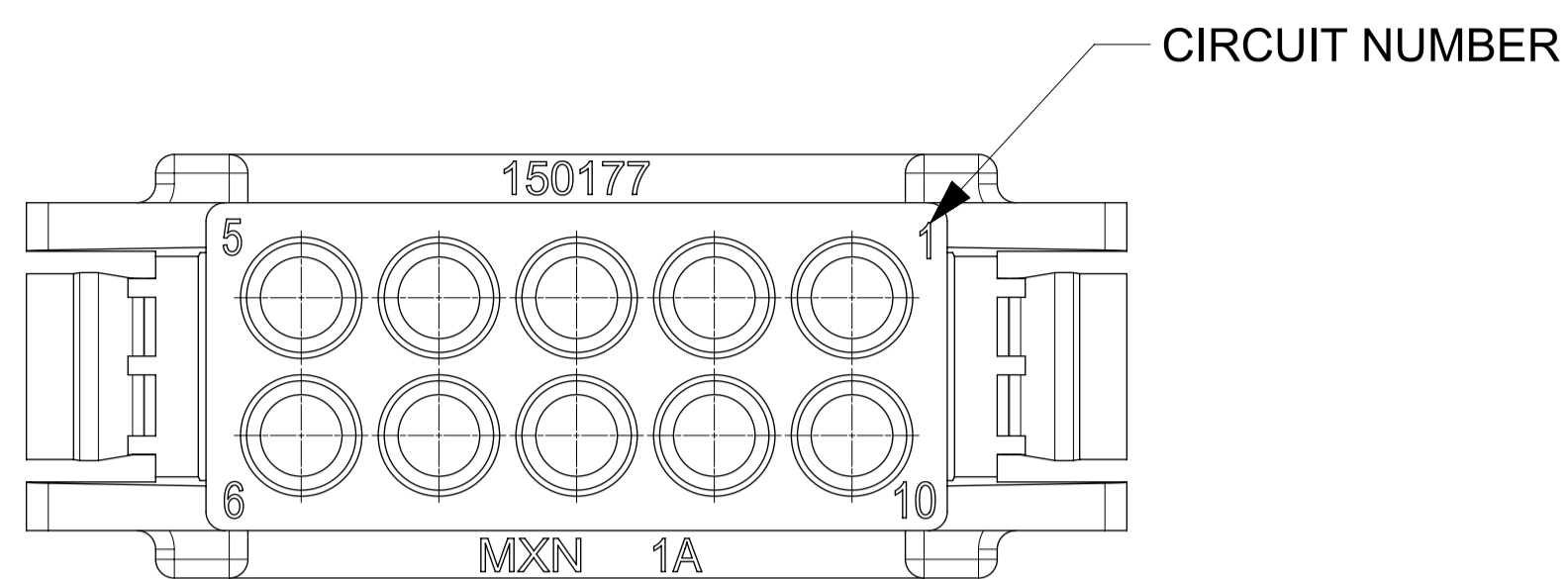
Contact us

Tel: +86-755-8981 8866 Fax: +86-755-8427 6832

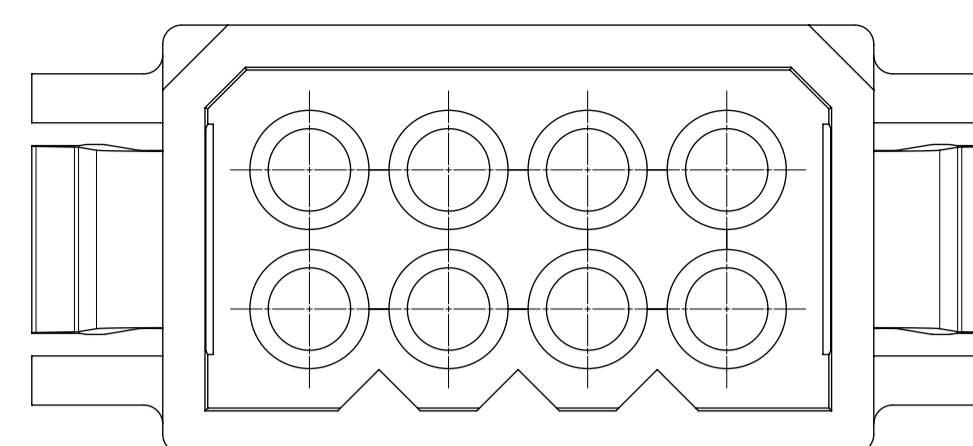
Email & Skype: info@chipsmall.com Web: www.chipsmall.com

Address: A1208, Overseas Decoration Building, #122 Zhenhua RD., Futian, Shenzhen, China

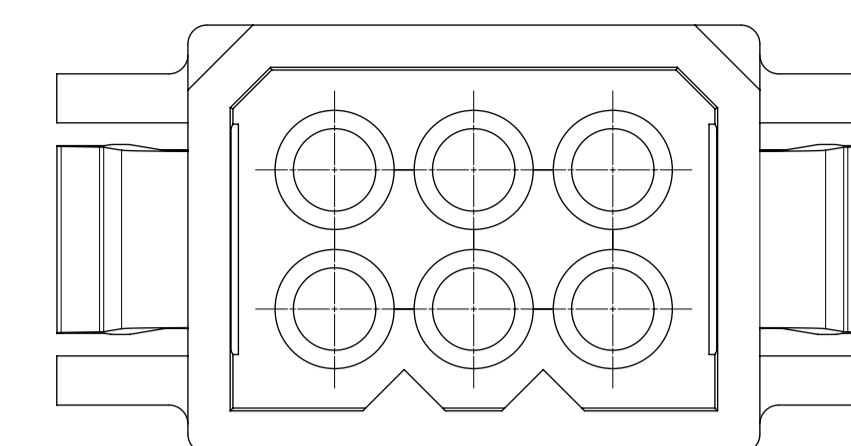




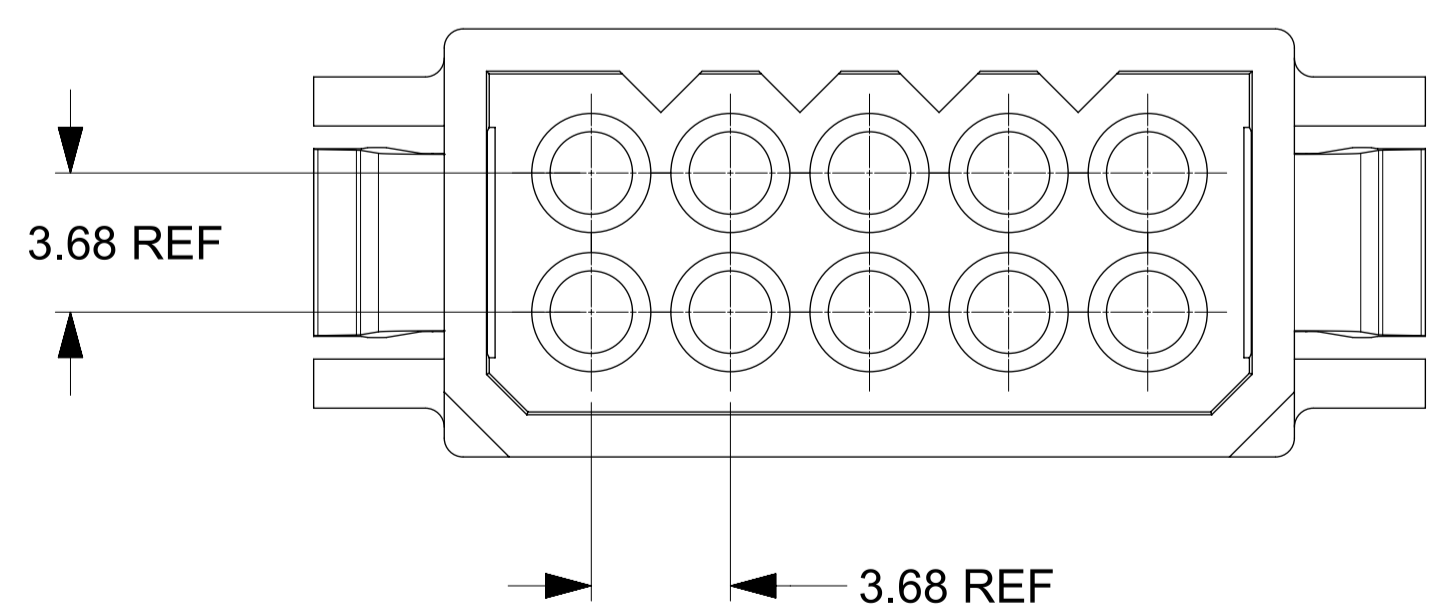
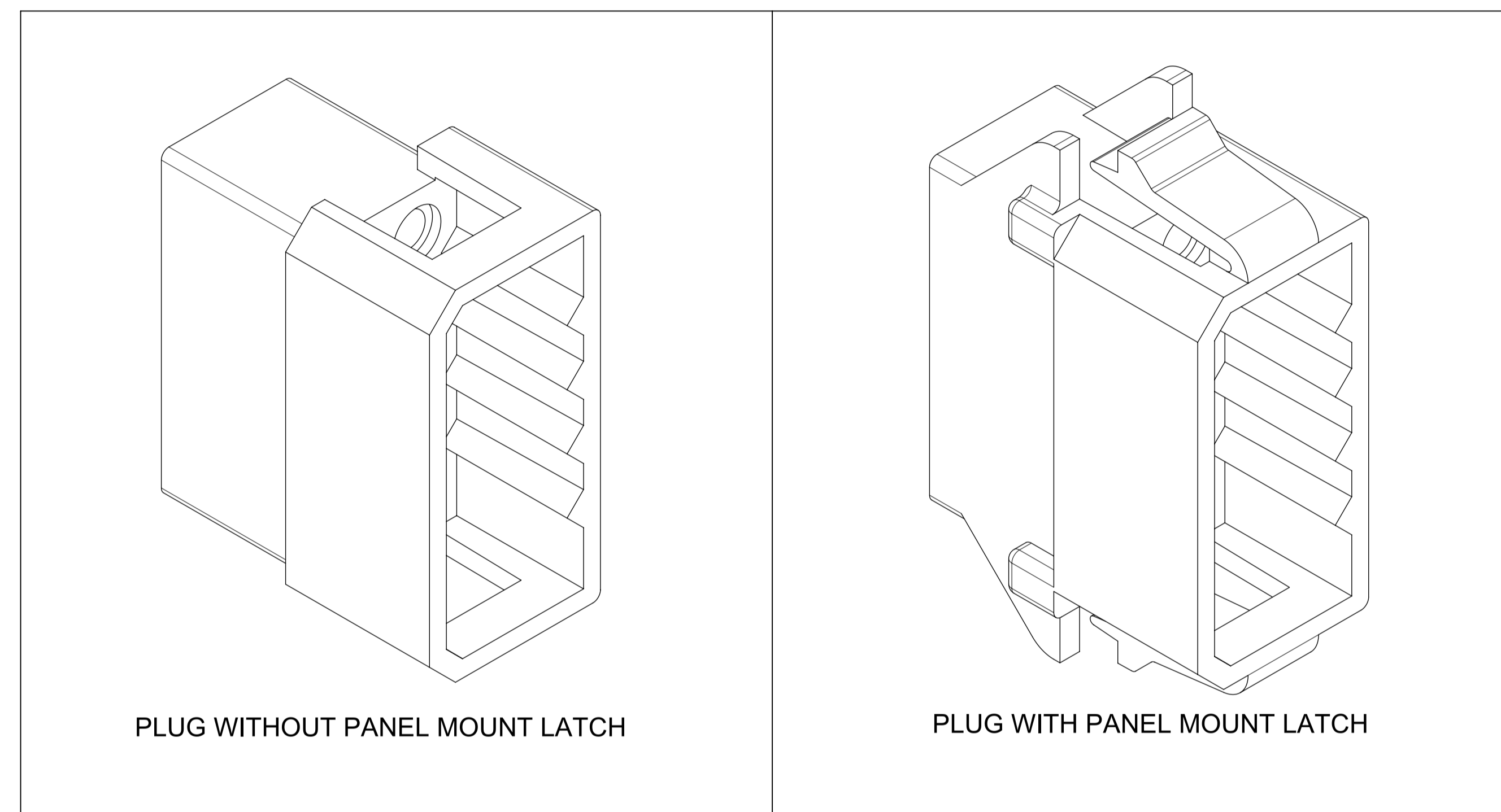
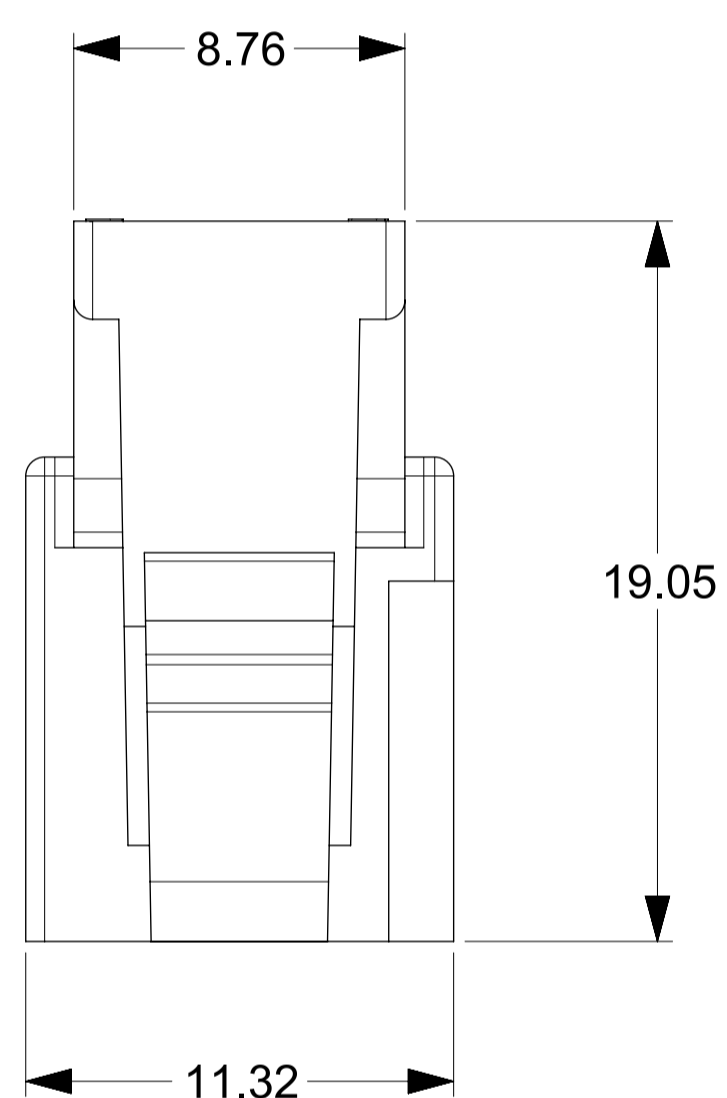
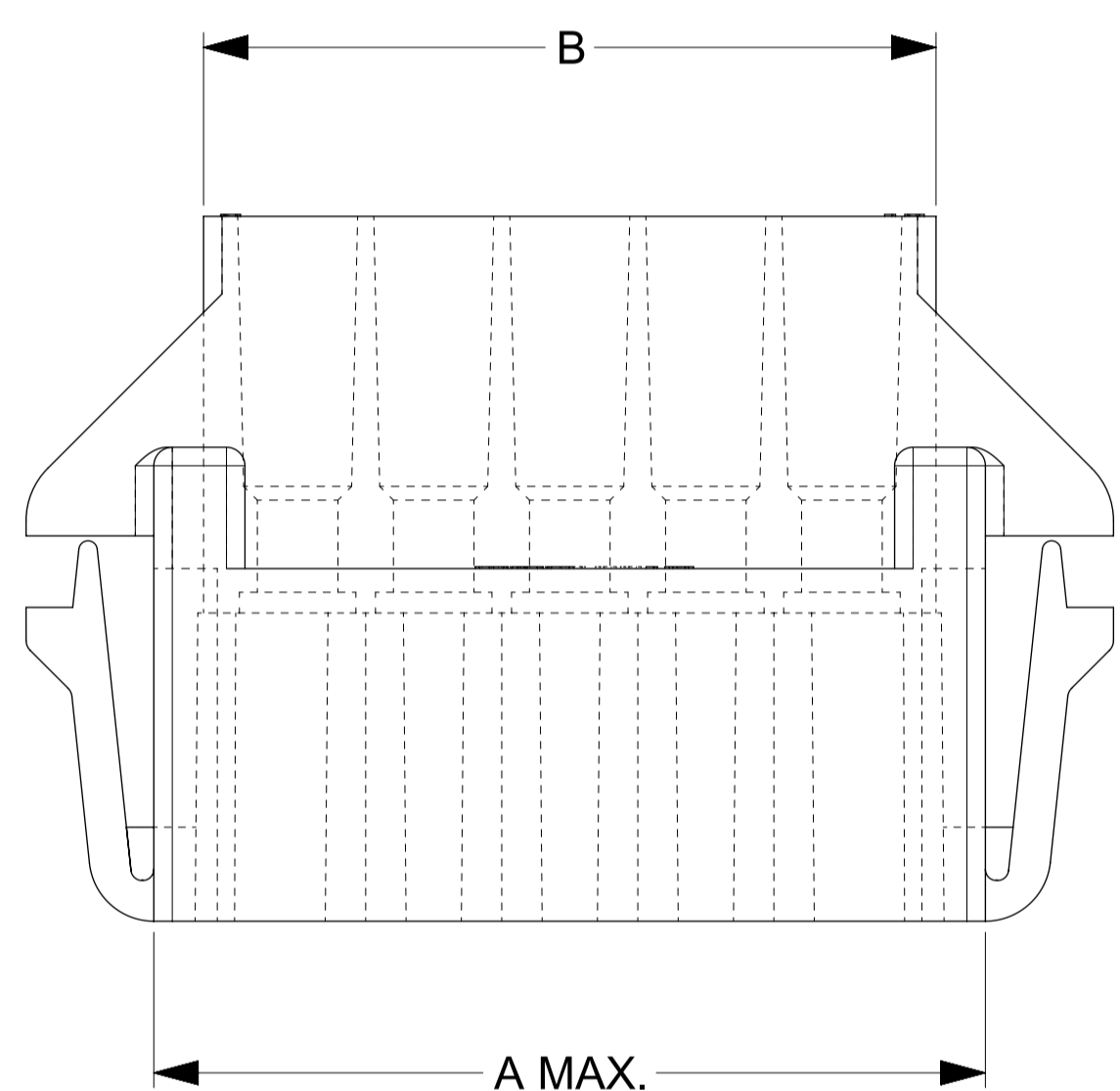
1501772100
10 CIRCUIT



1501772080
8 CIRCUIT



1501772060
6 CIRCUIT



LEGEND

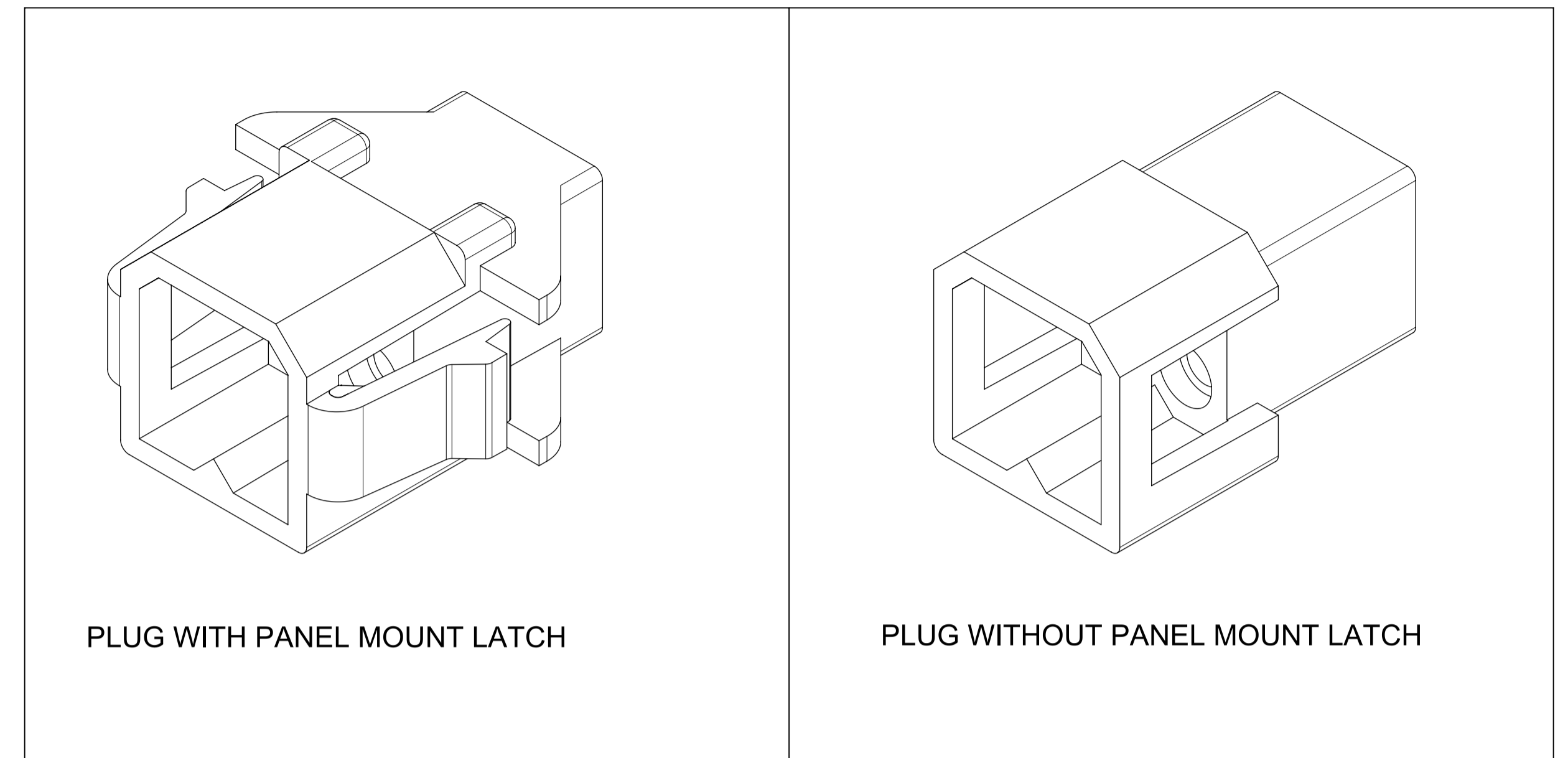
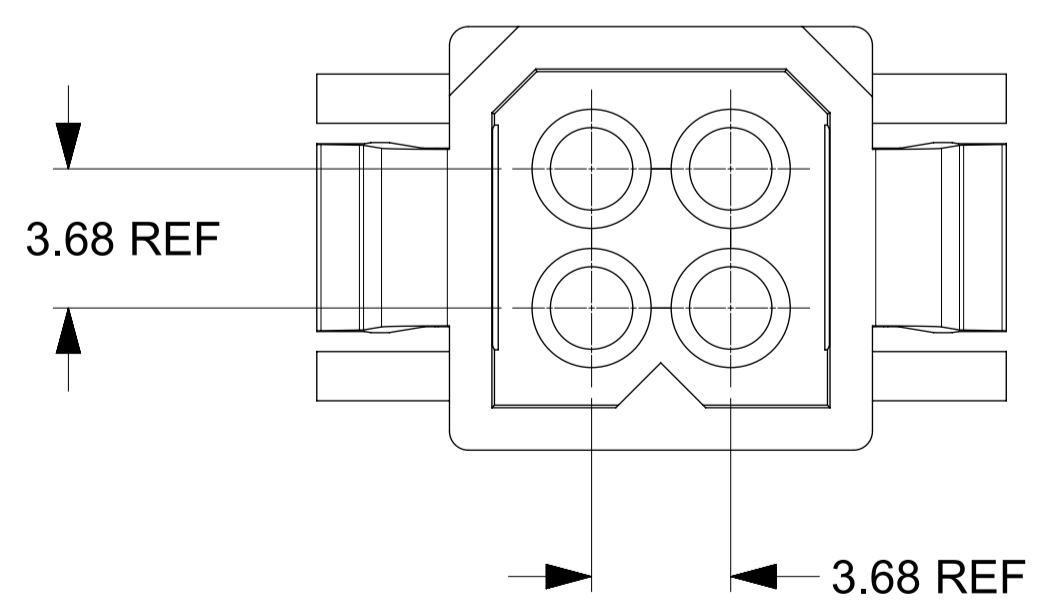
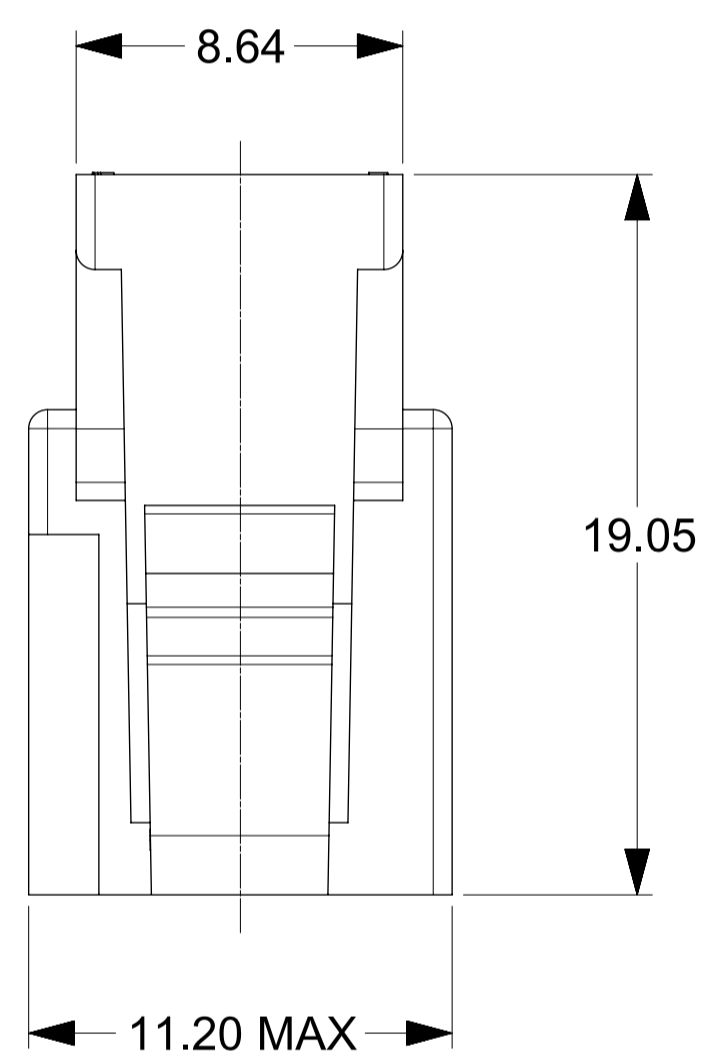
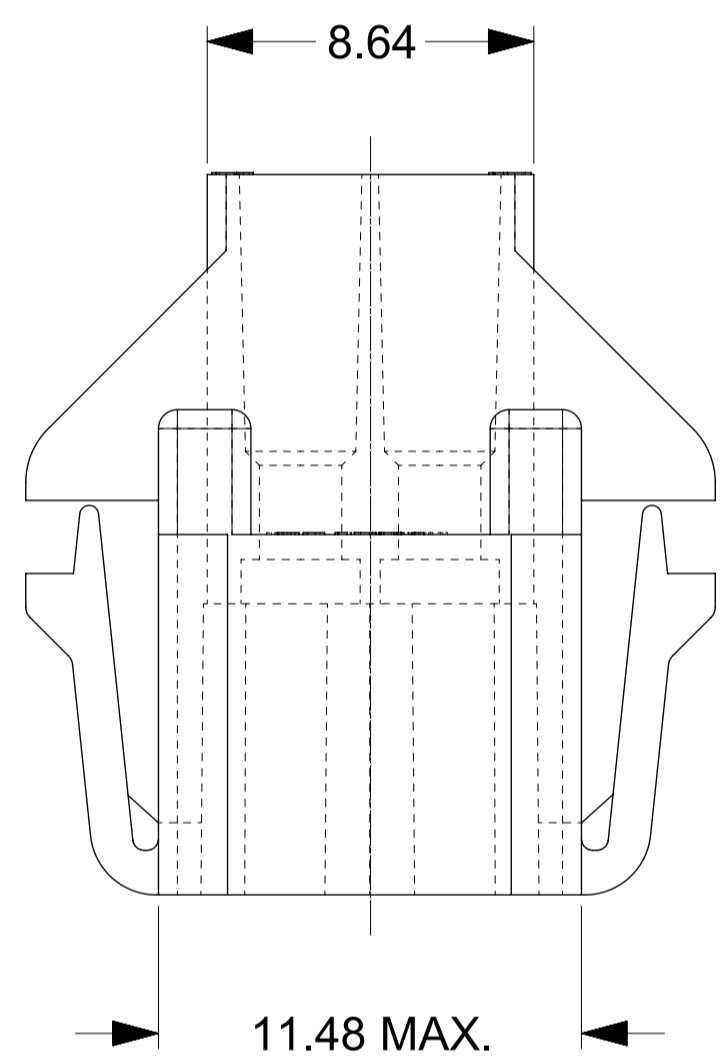
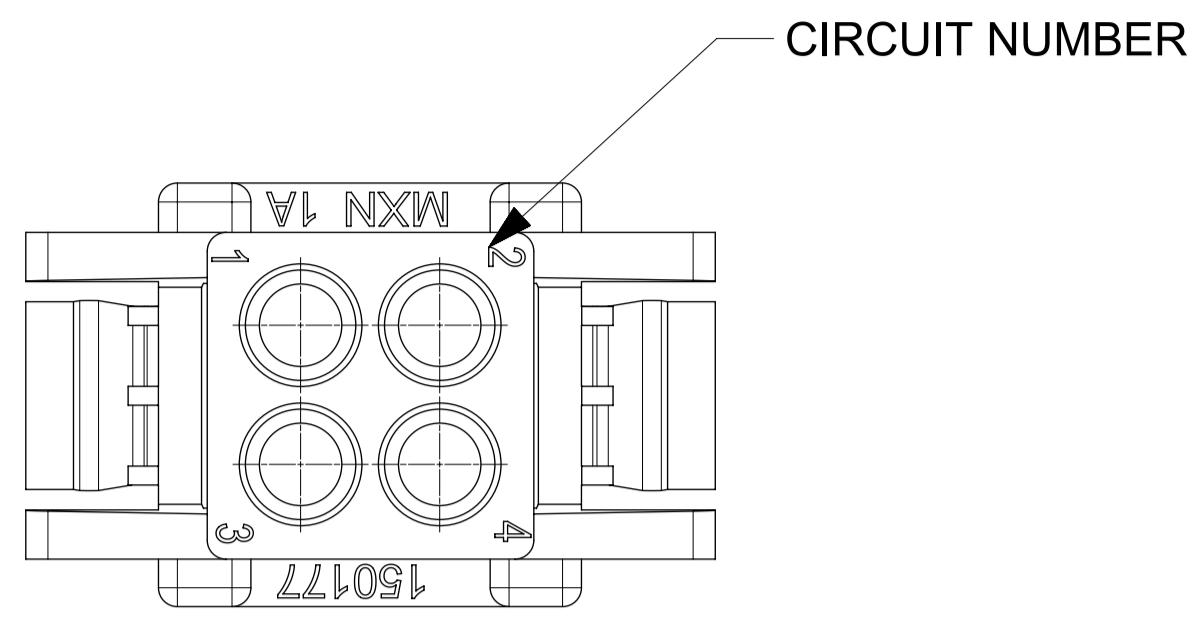
1 5 0 1 7 7 * * * *

NO. OF ROWS ——— *
 CIRCUIT SIZE ——— *
 0- WITH PANEL MOUNT LATCH ——— *
 1- WITHOUT PANEL MOUNT LATCH ——— *

SL NO.	PART NUMBER	DESCRIPTION	DIM 'A' MAX	DIM B
1	1501772060	6 CKT DUAL ROW WITH PANEL MOUNT LATCH	15.44	12.45
2	1501772061	6 CKT DUAL ROW WITHOUT PANEL MOUNT LATCH		
3	1501772080	8 CKT DUAL ROW WITH PANEL MOUNT LATCH	19.12	16.13
4	1501772081	8 CKT DUAL ROW WITHOUT PANEL MOUNT LATCH		
5	1501772100	10 CKT DUAL ROW WITH PANEL MOUNT LATCH	22.80	19.81
6	1501772101	10 CKT DUAL ROW WITHOUT PANEL MOUNT LATCH		

THIS DRAWING CONTAINS INFORMATION THAT IS PROPRIETARY TO MOLEX ELECTRONIC TECHNOLOGIES, LLC AND SHOULD NOT BE USED WITHOUT WRITTEN PERMISSION

RE-MASTERED IN ECTR EC NO: 107456 DRWN: SNAGARAVENKA CHK'D: REV/ APPR: B	2016/10/03	GENERAL TOLERANCES (UNLESS SPECIFIED)	DIMENSION UNITS	SCALE	molex [®]			
	2016/10/26		MM	5:1				
	2016/10/26		ANGULAR TOL ± 1.0 °	DRWN BY		DATE		
	2016/10/26		4 PLACES ±	GES		2014/10/08		
	2016/10/26		3 PLACES ±	CHK'D BY		DATE		
	2016/10/26		2 PLACES ± 0.25	APPR BY		DATE		
2016/10/26	1 PLACE ± 0.35	DRAWING SIZE	THIRD ANGLE PROJECTION	SERIES	MATERIAL NUMBER	CUSTOMER		
2016/10/26	0 PLACES ±	A1	THIRD ANGLE PROJECTION	150177	SEE TABLE	GENERAL MARKET		
DRAFT WHERE APPLICABLE MUST REMAIN WITHIN DIMENSIONS					DOCUMENT NUMBER	DOC TYPE	DOC PART	SHEET NUMBER
					SD-150177-001	PSD	000	1 OF 3

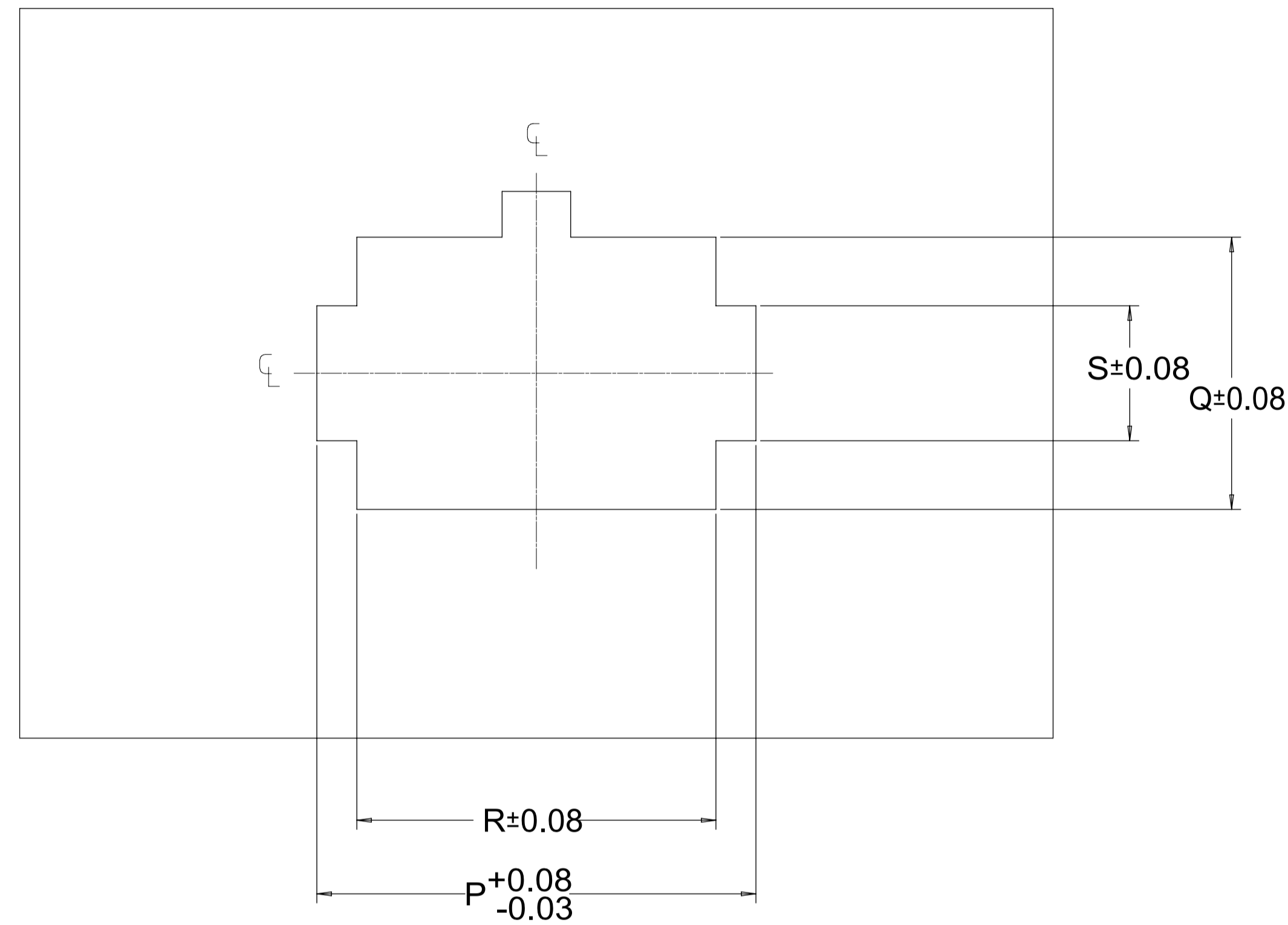


SL NO.	PART NUMBER	DESCRIPTION
1	1501772040	4 CKT DUAL ROW WITH PANEL MOUNT LATCH
2	1501772041	4 CKT DUAL ROW WITHOUT PANEL MOUNT LATCH

THIS DRAWING CONTAINS INFORMATION THAT IS PROPRIETARY TO MOLEX ELECTRONIC TECHNOLOGIES, LLC AND SHOULD NOT BE USED WITHOUT WRITTEN PERMISSION

RE-MASTERED IN ECTR EC NO: 107456 DRWN: SNAGARAVENKA CHKD: REV / APPR: KPRASAD	2016/10/03	2016/10/26	GENERAL TOLERANCES (UNLESS SPECIFIED)	DIMENSION UNITS	SCALE			
			ANGULAR TOL ± 1.0 °	MM	5:1			
	4 PLACES ±	3 PLACES ±	2 PLACES ± 0.25	1 PLACE ± 0.35	0 PLACES ±		DRWN BY	DATE
	DRAFT WHERE APPLICABLE MUST REMAIN WITHIN DIMENSIONS						GES	2014/10/08
			PRODUCT CUSTOMER DRAWING					
			SERIES		MATERIAL NUMBER			
			150177		SEE TABLE			
			CUSTOMER		GENERAL MARKET			
			DOCUMENT NUMBER		DOC TYPE			
			SD-150177-001		PSD			
			DOC PART		SHEET NUMBER			
			000		2 OF 3			

SL NO.	PART NUMBER	DESCRIPTION	DIM P	DIM Q	DIM R	DIM S
1	1501772040	4 CKT DUAL ROW	15.64	11.70	11.69	5.82
2	1501772060	6 CKT DUAL ROW	19.45	11.82	15.63	5.82
3	1501772080	8 CKT DUAL ROW	23.13	11.82	19.31	5.82
4	1501772100	10 CKT DUAL ROW	26.81	11.82	22.99	5.82



RECOMMENDED PANEL CUT-OUT LAYOUT
PANEL THICKNESS-1.50 mm Max.

NOTES:

- 1) MATERIAL : NYLON 66,94V-2 AND COLOR:NATURAL
- 2) PRODUCT SPECIFICATION: 1501760001-PS
- 3) PACKAGING SPECS: PK-150176-001
- 4) THIS PART CONFORMS TO CLASS B REQUIREMENTS OF COSMETIC SPEC PS-45499-002.
- 5) THIS PART CONFORMS TO MOISTURIZING SPECIFICATIONS OF NYLON PARTS REFER AS-45499-001
- 6) PARTS ACCEPT TERMINAL SERIES 150180.
- 7) THIS PARTS MATES WITH SERIES 150179

THIS DRAWING CONTAINS INFORMATION THAT IS PROPRIETARY TO MOLEX ELECTRONIC TECHNOLOGIES, LLC AND SHOULD NOT BE USED WITHOUT WRITTEN PERMISSION													
RE-MASTERED IN ECTR EC NO: 107456 DRWN: SNAGARAVENKA CHK'D: REV/ APPR: B	2016/10/03 2016/10/26	GENERAL TOLERANCES (UNLESS SPECIFIED)		DIMENSION UNITS	SCALE	molex [®]							
		ANGULAR TOL ± 1.0 °		MM	1:1								
		4 PLACES ±	3 PLACES ±	DRWN BY	DATE								
		3 PLACES ±	2 PLACES ± 0.25	GES		2014/10/08		ECONOLATCH PLUG HOUSING DUAL ROW					
		2 PLACES ± 0.35	1 PLACE ±	CHK'D BY	DATE								
		0 PLACES ±	DRAFT WHERE APPLICABLE MUST REMAIN WITHIN DIMENSIONS		A1	THIRD ANGLE PROJECTION	PRODUCT CUSTOMER DRAWING						
SERIES		MATERIAL NUMBER		CUSTOMER		150177 SEE TABLE GENERAL MARKET							
DOCUMENT NUMBER				DOC TYPE	DOC PART	SHEET NUMBER							
SD-150177-001				PSD	000	3 OF 3							