



Chipsmall Limited consists of a professional team with an average of over 10 year of expertise in the distribution of electronic components. Based in Hongkong, we have already established firm and mutual-benefit business relationships with customers from,Europe,America and south Asia,supplying obsolete and hard-to-find components to meet their specific needs.

With the principle of “Quality Parts,Customers Priority,Honest Operation,and Considerate Service”,our business mainly focus on the distribution of electronic components. Line cards we deal with include Microchip,ALPS,ROHM,Xilinx,Pulse,ON,Everlight and Freescale. Main products comprise IC,Modules,Potentiometer,IC Socket,Relay,Connector.Our parts cover such applications as commercial,industrial, and automotives areas.

We are looking forward to setting up business relationship with you and hope to provide you with the best service and solution. Let us make a better world for our industry!



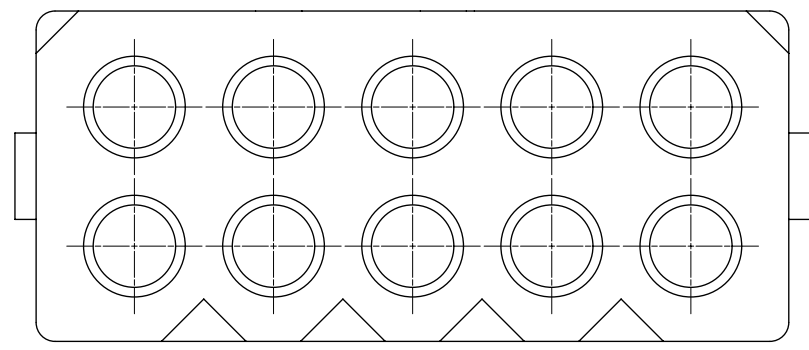
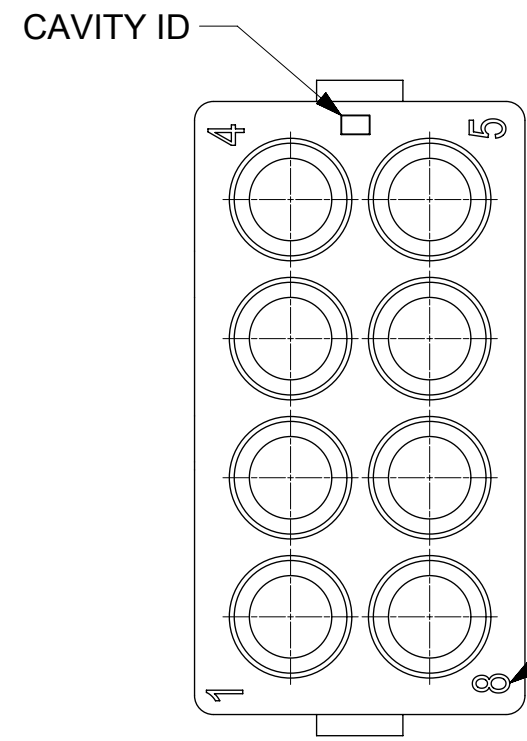
## Contact us

Tel: +86-755-8981 8866 Fax: +86-755-8427 6832

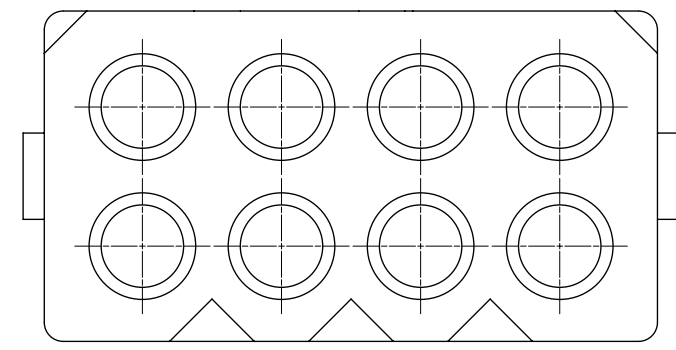
Email & Skype: info@chipsmall.com Web: www.chipsmall.com

Address: A1208, Overseas Decoration Building, #122 Zhenhua RD., Futian, Shenzhen, China

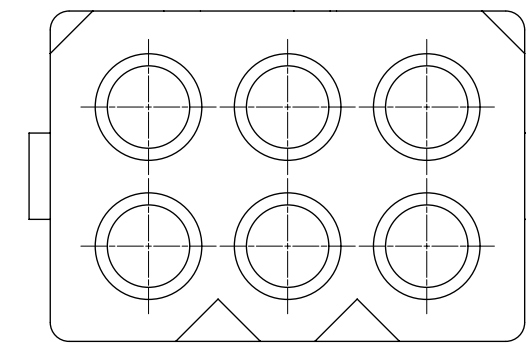




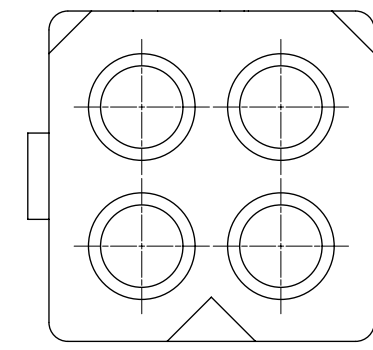
1501792100  
10 CKT



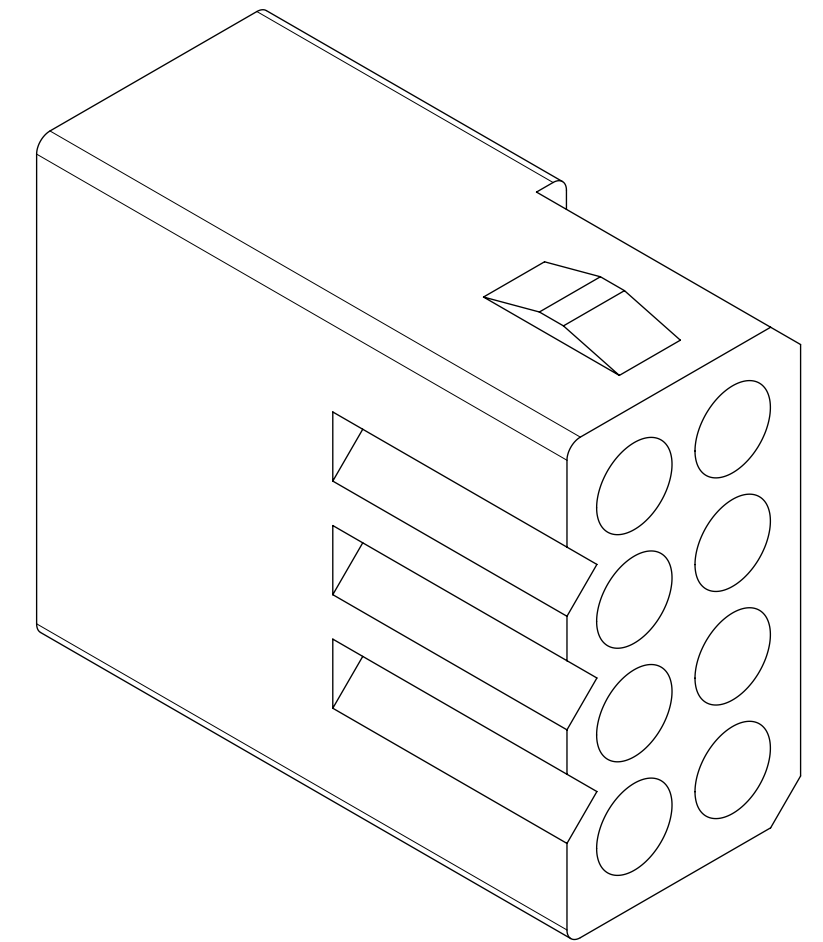
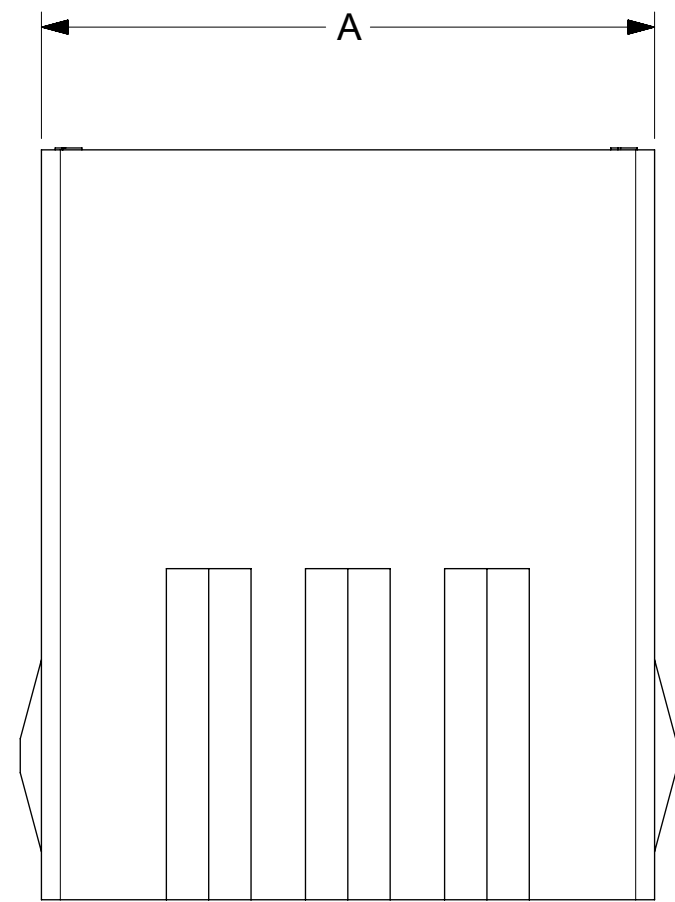
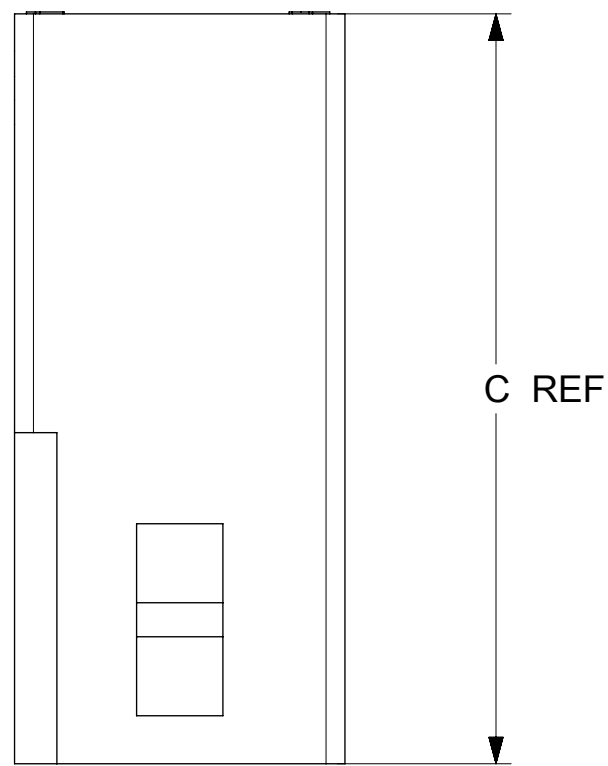
1501792080  
8 CKT



1501792060  
6 CKT



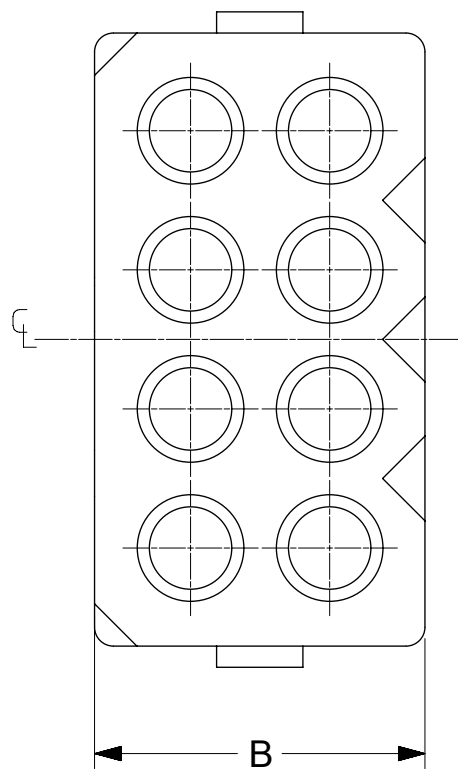
1501792040  
4 CKT



RECEPTACLE HOUSING  
ISOMETRIC VIEW

TABLE A

SL No.	PART NUMBER	DESCRIPTION	DIM A	DIM B	DIM C
1	15017902040	4 CKT DUAL ROW	8.6	8.6	19.6
2	15017902060	6 CKT DUAL ROW	12.5 <sup>+0.30</sup> <sub>-0.25</sub>	8.8	19.8
3	15017902080	8 CKT DUAL ROW	16.2	8.7	19.8
4	15017902100	10 CKT DUAL ROW	19.9 <sup>+0.25</sup> <sub>-0.35</sub>	8.7	19.8



NOTES:

- 1) MATERIAL: NYLON TYPE 6/6,94V-2 COLOR: NATURAL
- 2) FINISH: NONE
- 3) PRODUCT SPECIFICATION: 1501760001-PS.
- 4) PACKAGING SPECS: PK-150176-001
- 5) THIS PART CONFORMS TO CLASS B REQUIREMENTS OF COSMETIC SPEC PS-45499-002.
- 6) THIS PART CONFORMS TO MOISTURIZING SPECIFICATIONS OF NYLON PARTS REFER AS-45499-001
- 7) THIS PART ACCEPT TERMINAL SERIES 150181
- 8) THIS PART MATES WITH PLUG HOUSING SERIES 150177.

THIS DRAWING CONTAINS INFORMATION THAT IS PROPRIETARY TO MOLEX ELECTRONIC TECHNOLOGIES, LLC AND SHOULD NOT BE USED WITHOUT WRITTEN PERMISSION

RE-MASTERED IN ELECTR EC NO: 107456 DRWN: SNAGARAVENKA CHKD: APPR: KPRASAD	2016/10/03	2016/10/26	GENERAL TOLERANCES (UNLESS SPECIFIED)	DIMENSION UNITS	SCALE				
			ANGULAR TOL ± 0.5 °	MM	5:1				
			4 PLACES ±	DRWN BY	DATE		ECONOLATCH DUAL ROW RECEPTACLE HOUSING		
			3 PLACES ±	GES	2014/10/09				
		2 PLACES ± 0.25	CHK'D BY	DATE	PRODUCT CUSTOMER DRAWING				
		1 PLACE ± 0.38	APPR BY	DATE					
		0 PLACES ±	DRAFT WHERE APPLICABLE MUST REMAIN WITHIN DIMENSIONS	DRAWING SIZE	THIRD ANGLE PROJECTION	SERIES	MATERIAL NUMBER	CUSTOMER	
				A2		150179	SEE TABLE	GENERAL MARKET	
						DOCUMENT NUMBER	DOC TYPE	DOC PART	SHEET NUMBER
						SD-150179-001	PSD	000	1 OF 1