



Chipsmall Limited consists of a professional team with an average of over 10 year of expertise in the distribution of electronic components. Based in Hongkong, we have already established firm and mutual-benefit business relationships with customers from,Europe,America and south Asia,supplying obsolete and hard-to-find components to meet their specific needs.

With the principle of "Quality Parts,Customers Priority,Honest Operation,and Considerate Service",our business mainly focus on the distribution of electronic components. Line cards we deal with include Microchip,ALPS,ROHM,Xilinx,Pulse,ON,Everlight and Freescale. Main products comprise IC,Modules,Potentiometer,IC Socket,Relay,Connector.Our parts cover such applications as commercial,industrial, and automotives areas.

We are looking forward to setting up business relationship with you and hope to provide you with the best service and solution. Let us make a better world for our industry!



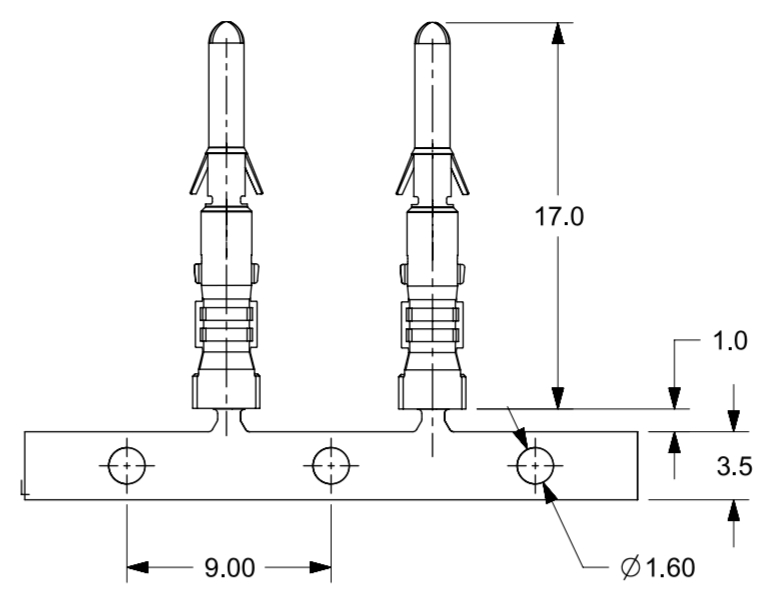
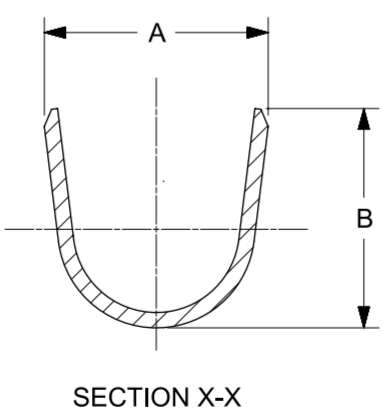
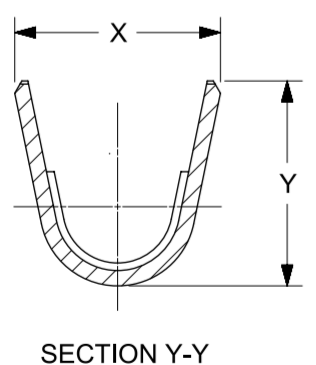
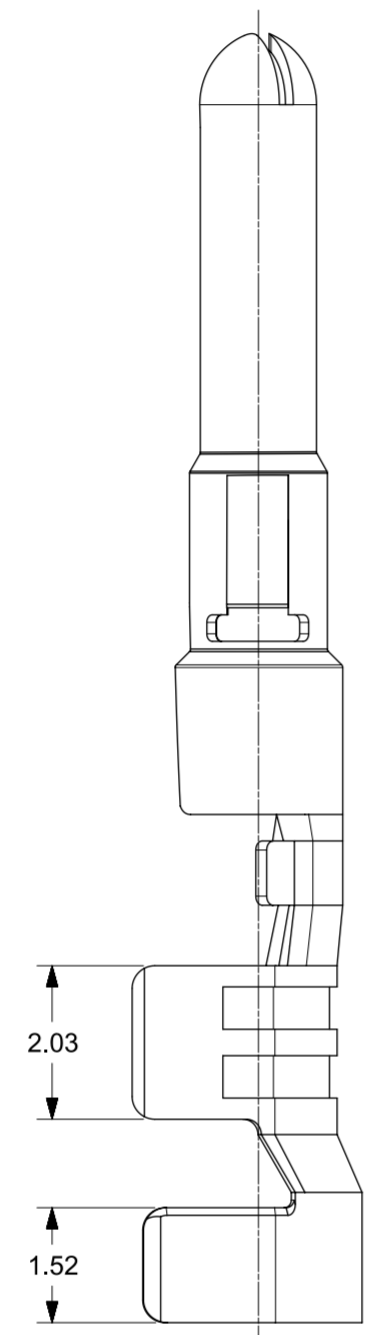
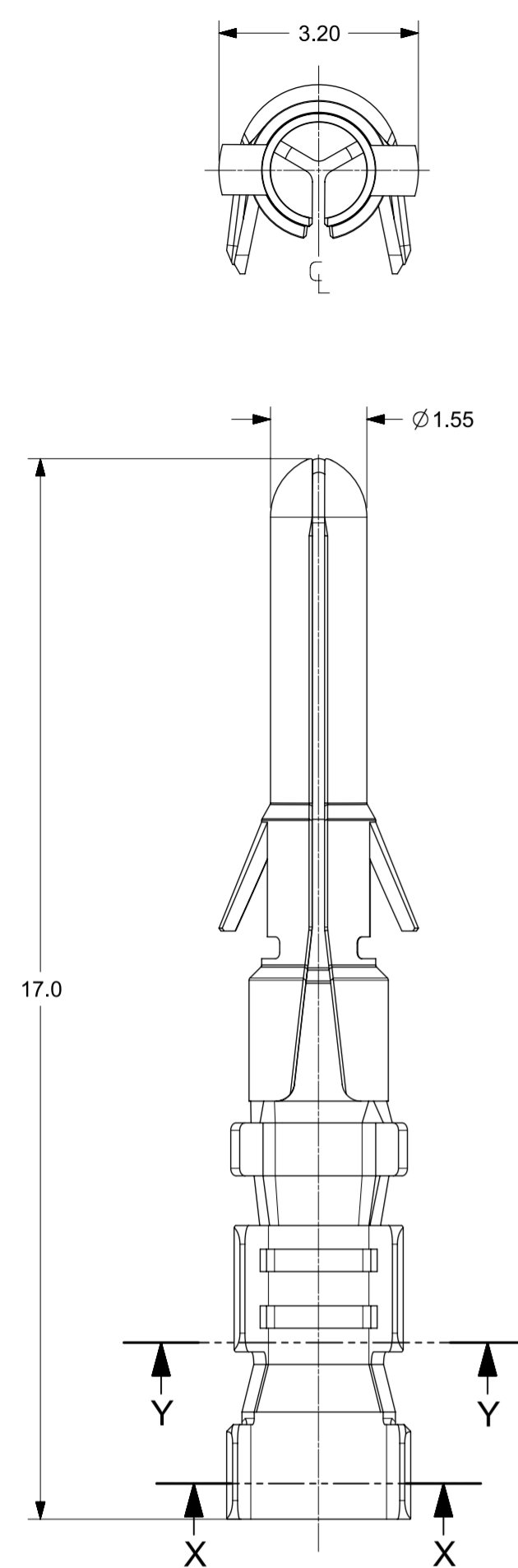
Contact us

Tel: +86-755-8981 8866 Fax: +86-755-8427 6832

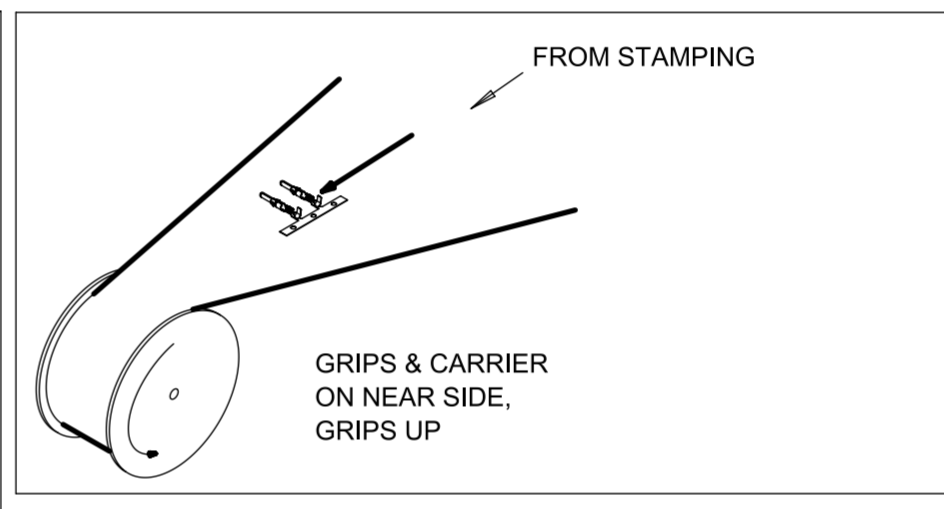
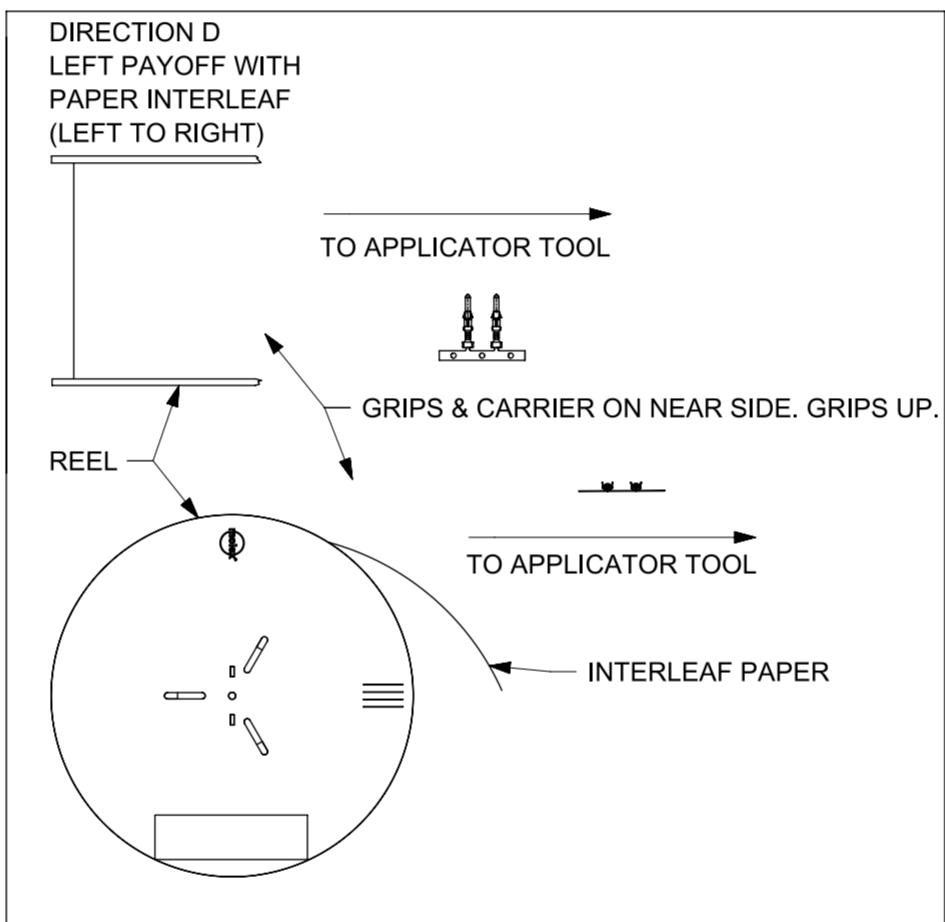
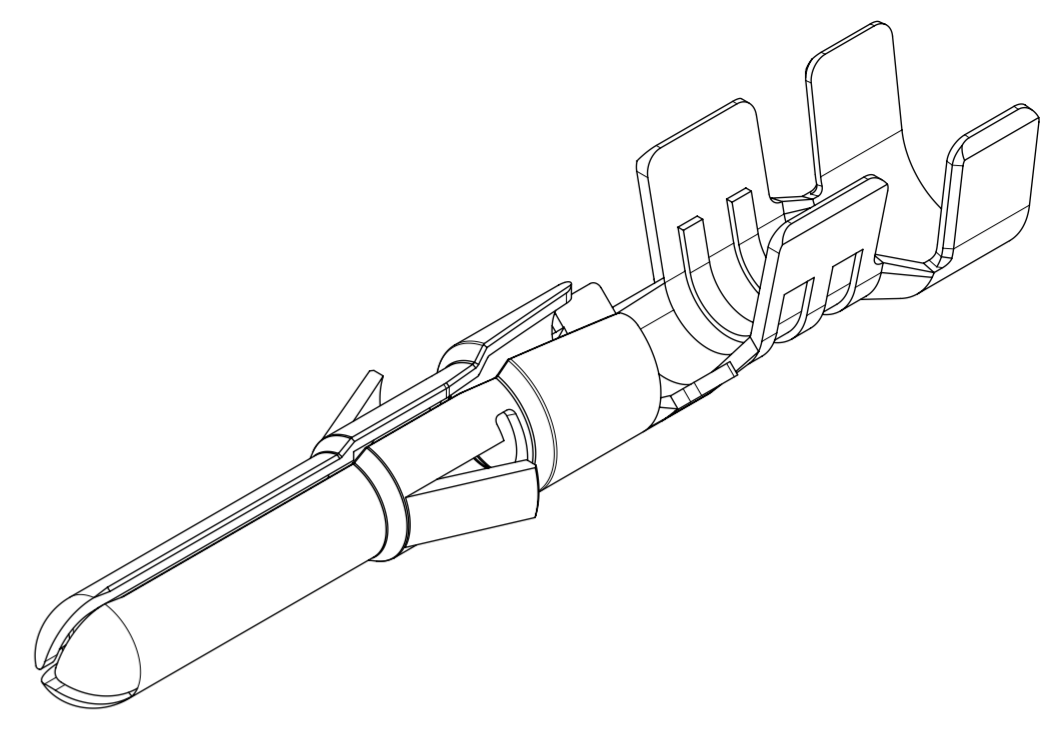
Email & Skype: info@chipsmall.com Web: www.chipsmall.com

Address: A1208, Overseas Decoration Building, #122 Zhenhua RD., Futian, Shenzhen, China





STRIP LAYOUT



REELING DIRECTIONS

SI. No.	PART NUMBER	WIRE RANGE	WIRE STYLE	DIM A	DIM B	DIM X	DIM Y
1	1501801016	16-18 AWG	16 AWG, UL1061	2.96	2.90	2.72	2.71
			18 AWG, UL1007	2.96	2.90	2.72	2.71
			18 AWG, UL1061	2.96	2.90	2.72	2.71
2	1501801020	20-22 AWG	20 AWG, UL1007	2.58	2.40	2.44	2.03
			20 AWG, UL1061	2.58	2.40	2.44	2.03
			22 AWG, UL1007	2.58	2.40	2.44	2.03
			22 AWG, UL1061	2.58	2.40	2.44	2.03

- NOTES:
1. MATERIAL: CARTRIDGE BRASS ALLOY.
 2. FINISH: PREPLATED OVERALL TIN ONLY- BRIGHT FINISH AND MIN THICKNESS 1.5µm.
 3. PRODUCT SPECIFICATION: 1501760001-PS.
 4. PACKAGING SPEC. REFER PK-150180-001.
 5. THIS PART CONFORMS TO CLASS B REQUIREMENTS OF COSMETIC SPEC PS-45499-002.
 6. TERMINAL TO BE USED WITH SERIES 150176 AND 150177.
 7. TERMINAL MATES WITH THE SERIES 150181

THIS DRAWING CONTAINS INFORMATION THAT IS PROPRIETARY TO MOLEX ELECTRONIC TECHNOLOGIES, LLC AND SHOULD NOT BE USED WITHOUT WRITTEN PERMISSION

EC NO: 107456 DRWN: SNAGARAVENKA CHKD: REV / APPR: KPRASAD	2016/10/03	2016/10/26	GENERAL TOLERANCES (UNLESS SPECIFIED)	DIMENSION UNITS	SCALE	
			ANGULAR TOL ± 0.5 °	MM	10:1	
			4 PLACES ±	DRWN BY	DATE	
			3 PLACES ±	SS06	2015/05/28	
		2 PLACES ± 0.25	CHK'D BY	DATE	ECONOLATCH MALE CRIMP TERMINAL	
		1 PLACE ± 0.35	APPR BY	DATE		
		0 PLACES ±	KPRASAD	2015/06/04		
		DRAFT WHERE APPLICABLE MUST REMAIN WITHIN DIMENSIONS	DRAWING SIZE			THIRD ANGLE PROJECTION
B			A2			PRODUCT CUSTOMER DRAWING SERIES: 150180 MATERIAL NUMBER: SEE CHART CUSTOMER: GENERAL MARKET DOCUMENT NUMBER: SD-150180-0001 DOC TYPE: PSD DOC PART: 000 SHEET NUMBER: 1 OF 1