



Chipsmall Limited consists of a professional team with an average of over 10 year of expertise in the distribution of electronic components. Based in Hongkong, we have already established firm and mutual-benefit business relationships with customers from,Europe,America and south Asia,supplying obsolete and hard-to-find components to meet their specific needs.

With the principle of "Quality Parts,Customers Priority,Honest Operation,and Considerate Service",our business mainly focus on the distribution of electronic components. Line cards we deal with include Microchip,ALPS,ROHM,Xilinx,Pulse,ON,Everlight and Freescale. Main products comprise IC,Modules,Potentiometer,IC Socket,Relay,Connector.Our parts cover such applications as commercial,industrial, and automotives areas.

We are looking forward to setting up business relationship with you and hope to provide you with the best service and solution. Let us make a better world for our industry!



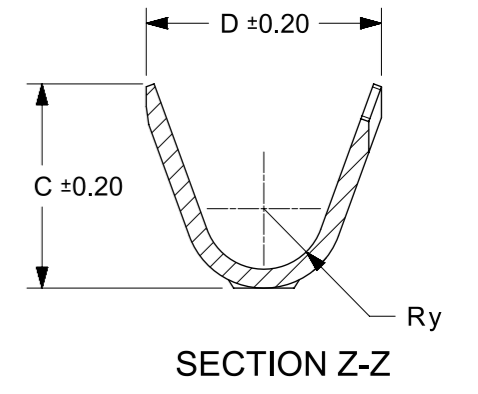
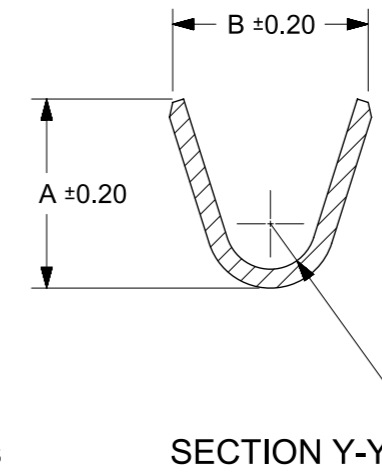
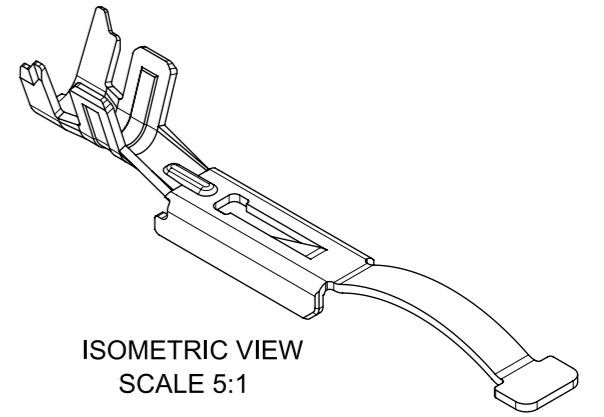
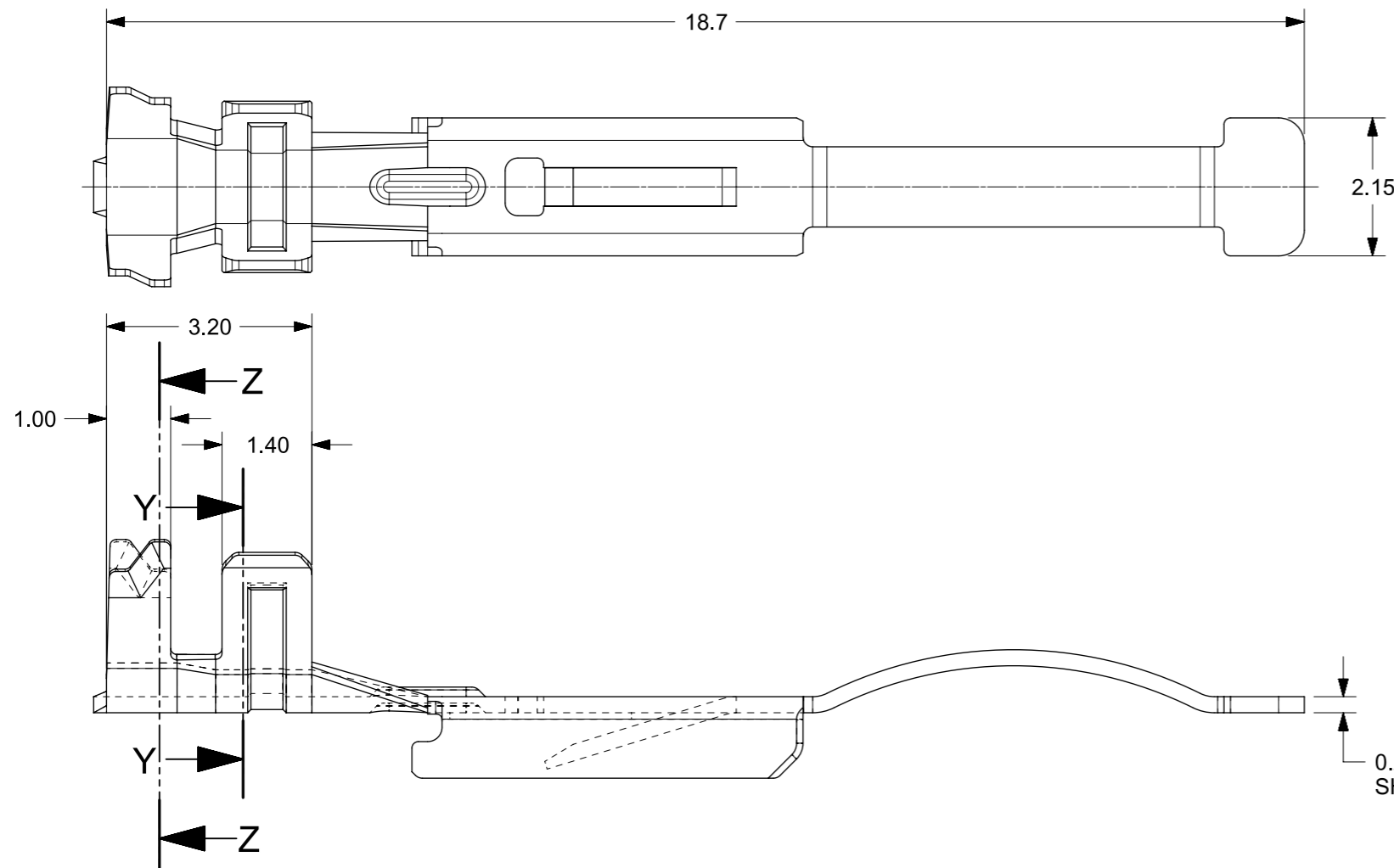
Contact us

Tel: +86-755-8981 8866 Fax: +86-755-8427 6832

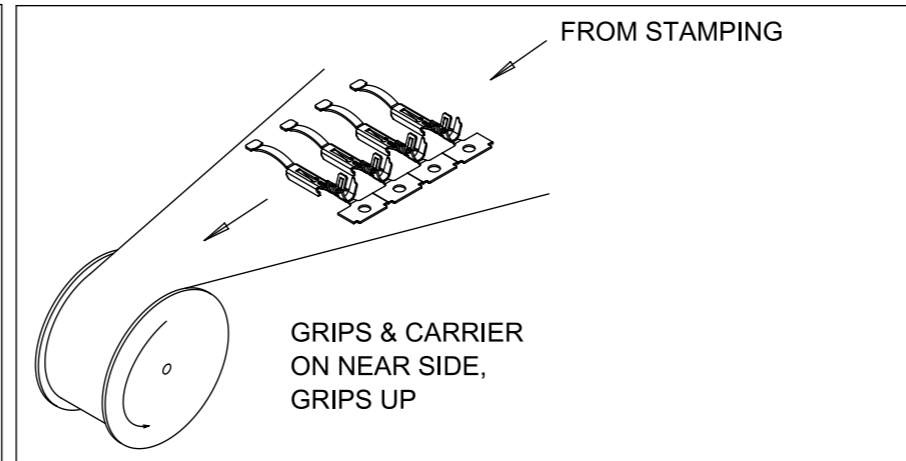
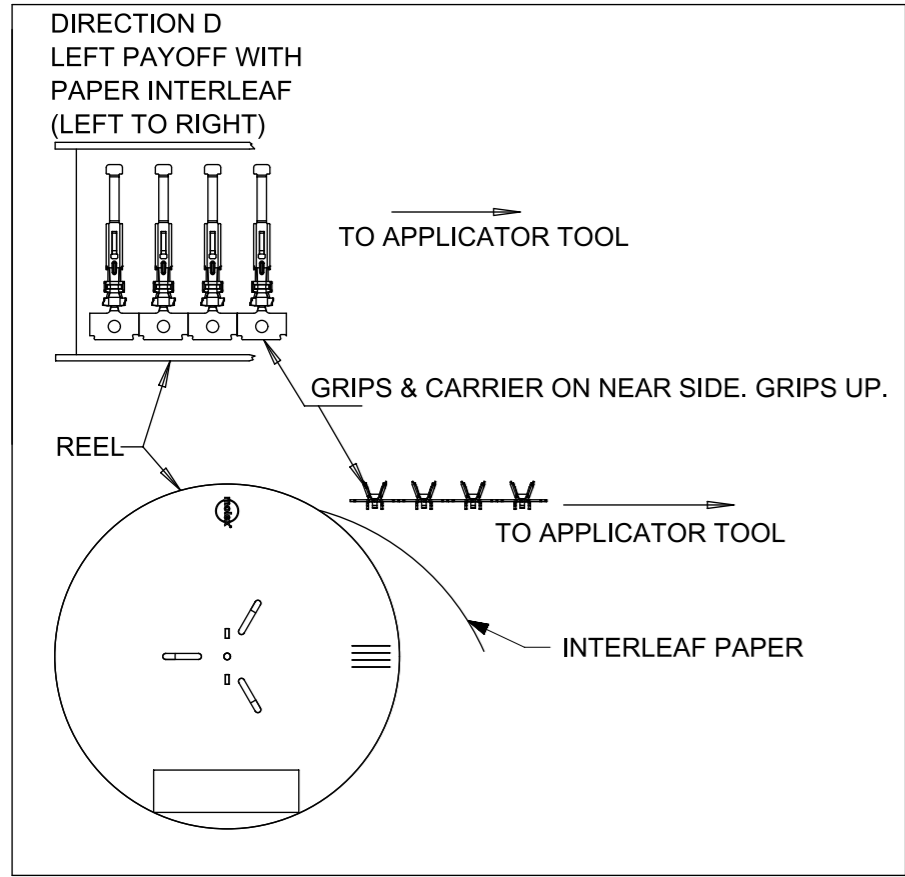
Email & Skype: info@chipsmall.com Web: www.chipsmall.com

Address: A1208, Overseas Decoration Building, #122 Zhenhua RD., Futian, Shenzhen, China





REELING DIRECTIONS



PART NUMBER	AWG	A	B	Rx	C	D	Ry
1502000001	20-22	2.50	2.70	0.60	2.70	3.10	0.80
1502000002	24-26	2.35	2.70	0.25	2.20	2.40	0.70

- NOTES:**
1. MATERIAL: TIN BRASS
 2. PLATING FINISHES: PREPLATED TIN
 3. PRODUCT SPECIFICATION: PS-150170-0000
 4. PACKAGING SPECIFICATION: PK-150197-0000
 5. MATES WITH IDENTICAL TERMINAL (SERIES 150200)
 6. USED WITH GENDERLESS CRP HSG SERIES 150170 & 150201
 7. COSMETIC SPECIFICATION: PS-45499-002 CLASS B

THIS DRAWING CONTAINS INFORMATION THAT IS PROPRIETARY TO MOLEX ELECTRONIC TECHNOLOGIES, LLC AND SHOULD NOT BE USED WITHOUT WRITTEN PERMISSION

RE-MASTERED IN ECTR EC NO: 106418 DRWN: VLM CHK'D: NCSR APPR: KPRASAD	2016/03/10	GENERAL TOLERANCES (UNLESS SPECIFIED)	DIMENSION UNITS	SCALE		
	2016/07/06		MM	10:1		
	2016/07/12		ANGULAR TOL ± 0.5 °	DRWN BY		DATE
			4 PLACES ±	NCSR		2004/12/25
	3 PLACES ±	CHK'D BY	DATE			
	2 PLACES ± 0.13	NCSR	2014/12/25			
	1 PLACE ± 0.25	APPR BY	DATE			
	0 PLACES ±	KPRASAD	2015/04/14			
	DRAFT WHERE APPLICABLE MUST REMAIN WITHIN DIMENSIONS	DRAWING SIZE	THIRD ANGLE PROJECTION			
A	REV	A3				

SALES DRAWING GENDERLESS TERMINAL (PL) DITTO INTERCONNECTS		
PRODUCT CUSTOMER DRAWING		
SERIES 150200	MATERIAL NUMBER SEE TABLE	CUSTOMER GENERAL MARKET
DOCUMENT NUMBER SD-150200-0000	DOC TYPE PSD	DOC PART 000
		SHEET NUMBER 1 OF 1