



Chipsmall Limited consists of a professional team with an average of over 10 year of expertise in the distribution of electronic components. Based in Hongkong, we have already established firm and mutual-benefit business relationships with customers from,Europe,America and south Asia,supplying obsolete and hard-to-find components to meet their specific needs.

With the principle of “Quality Parts,Customers Priority,Honest Operation,and Considerate Service”,our business mainly focus on the distribution of electronic components. Line cards we deal with include Microchip,ALPS,ROHM,Xilinx,Pulse,ON,Everlight and Freescale. Main products comprise IC,Modules,Potentiometer,IC Socket,Relay,Connector.Our parts cover such applications as commercial,industrial, and automotives areas.

We are looking forward to setting up business relationship with you and hope to provide you with the best service and solution. Let us make a better world for our industry!



Contact us

Tel: +86-755-8981 8866 Fax: +86-755-8427 6832

Email & Skype: info@chipsmall.com Web: www.chipsmall.com

Address: A1208, Overseas Decoration Building, #122 Zhenhua RD., Futian, Shenzhen, China



NOTES:

1. MATERIAL:

PA6, UL 94V-2

COLOR: NATURAL(WHITE)

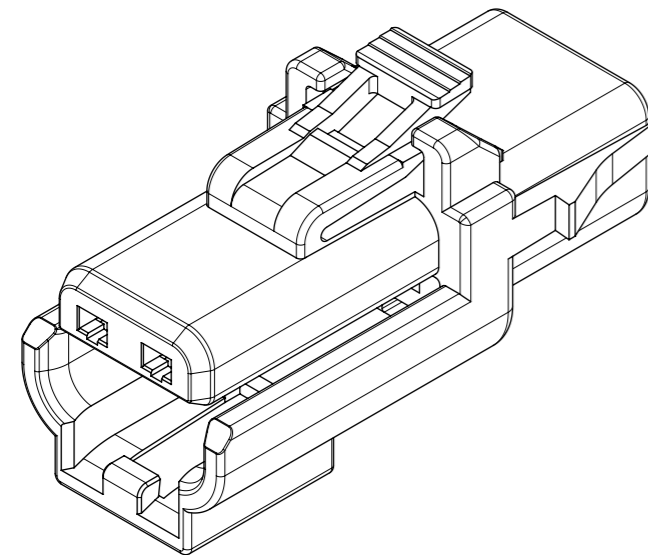
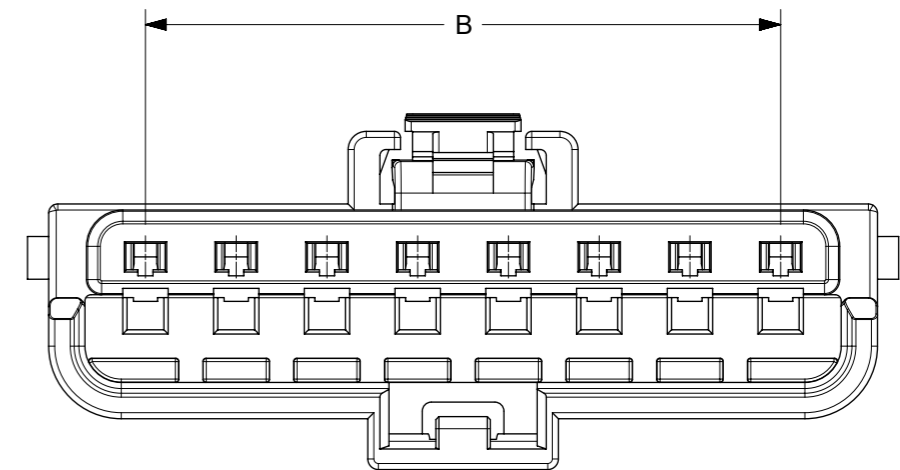
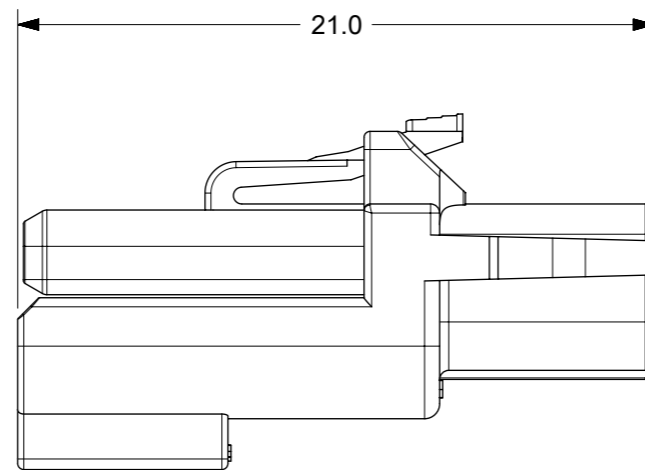
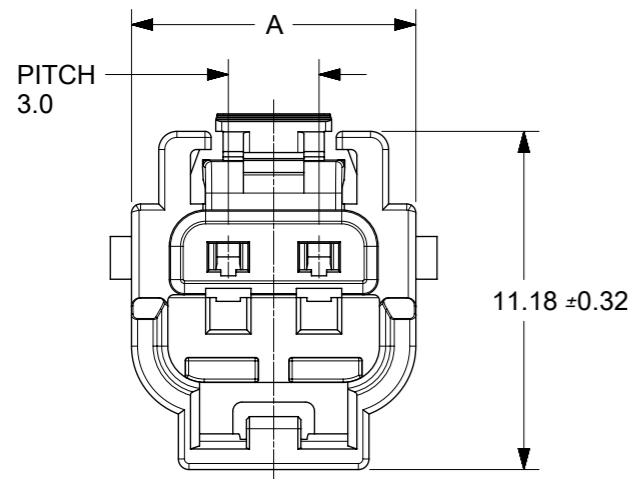
2. USE CRIMP TERMINAL SERIES 150185, 150197 & 150200

3. PART MATES WITH IDENTICAL HOUSING (SERIES 150201)

4. PRODUCT SPECIFICATION PS-150197-0000

5. PACKAGING SPECIFICATION PK-150170-0000

6. COSMETIC SPECIFICATION: PS-45499-002 CLASS B



PART NUMBER	CIRCUIT SIZE	A ±0.35	B
1502010002	2	9.3	3.0
1502010003	3	12.3	6.0
1502010004	4	15.3	9.0
1502010005	5	18.3	12.0
1502010006	6	21.3	15.0
1502010007	7	24.3	18.0
1502010008	8	27.3	21.0

THIS DRAWING CONTAINS INFORMATION THAT IS PROPRIETARY TO MOLEX ELECTRONIC TECHNOLOGIES, LLC AND SHOULD NOT BE USED WITHOUT WRITTEN PERMISSION

RE-MASTERED IN ECTR EC NO: 102995 DRWN: VLM CHK'D: NCSR APP: KPRASAD	2016/02/18	GENERAL TOLERANCES (UNLESS SPECIFIED)	DIMENSION UNITS	SCALE			
	2016/02/28		MM	4:1			
	2016/02/28		ANGULAR TOL ± °	DRWN BY		DATE	SALES DRAWING GENDERLESS HSG PL GW DITTO INTERCONNECTS
			4 PLACES ±	NCSR		2014/08/05	
			3 PLACES ±	CHK'D BY		DATE	
	2 PLACES ± 0.25	NCSR	2014/12/16				
	1 PLACE ± 0.3	APPR BY	DATE	PRODUCT CUSTOMER DRAWING			
	0 PLACES ±	KPRASAD	2015/04/14	SERIES	MATERIAL NUMBER	CUSTOMER	
	DRAFT WHERE APPLICABLE MUST REMAIN WITHIN DIMENSIONS	DRAWING SIZE	THIRD ANGLE PROJECTION	150201	SEE TABLE	GENERAL MARKET	
A1	REV	A3		DOCUMENT NUMBER	DOC TYPE	DOC PART	SHEET NUMBER
				SD-150201-0000	PSD	000	1 OF 1