



Chipsmall Limited consists of a professional team with an average of over 10 year of expertise in the distribution of electronic components. Based in Hongkong, we have already established firm and mutual-benefit business relationships with customers from,Europe,America and south Asia,supplying obsolete and hard-to-find components to meet their specific needs.

With the principle of “Quality Parts,Customers Priority,Honest Operation,and Considerate Service”,our business mainly focus on the distribution of electronic components. Line cards we deal with include Microchip,ALPS,ROHM,Xilinx,Pulse,ON,Everlight and Freescale. Main products comprise IC,Modules,Potentiometer,IC Socket,Relay,Connector.Our parts cover such applications as commercial,industrial, and automotives areas.

We are looking forward to setting up business relationship with you and hope to provide you with the best service and solution. Let us make a better world for our industry!



## Contact us

Tel: +86-755-8981 8866 Fax: +86-755-8427 6832

Email & Skype: info@chipsmall.com Web: www.chipsmall.com

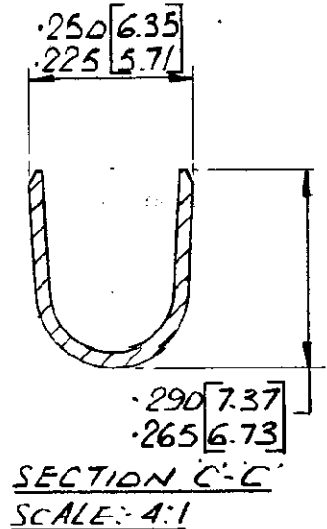
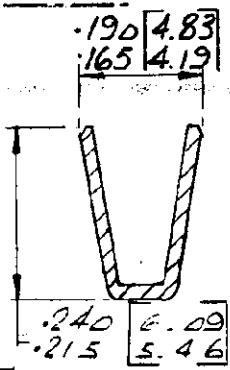
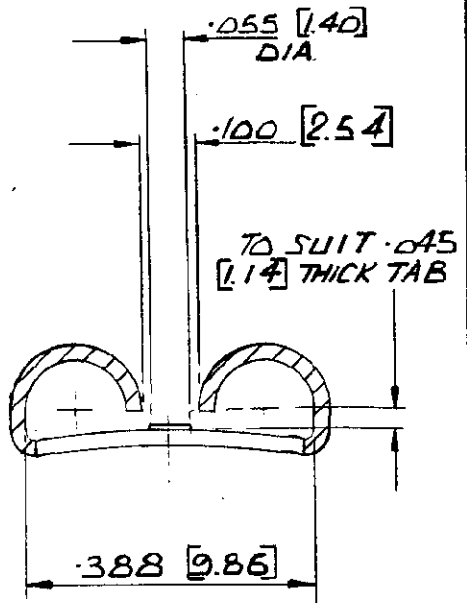
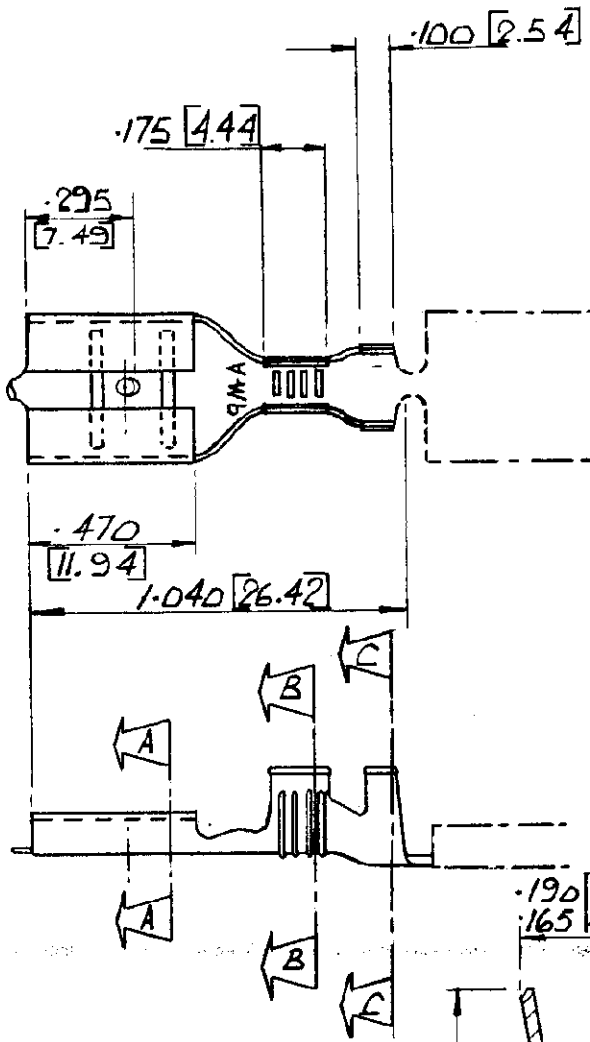
Address: A1208, Overseas Decoration Building, #122 Zhenhua RD., Futian, Shenzhen, China



C-150530

3rd ANGLE (AMERICAN) PROJECTION


DIMENSIONS IN INCHES. DO NOT SCALE PRINT  
DIMENSIONS THUS [ ] IN MM.



150530-2	NONE	PHOS. BRZ.	—
150530-1	ELECT-TIN	BRASS	150270-1
150530	NONE	BRASS	150270
PART N°	FINISH	MATERIAL	LOOSE PIECE

SECTION B-B  
SCALE: 4:1

SECTION C-C  
SCALE: 4:1

					CUSTOMER COPY REFERENCE ONLY				
					MATERIAL AND FINISH .020 [0.51] STOCK THICKNESS SEE TABLE				
					 TE Connectivity CLASS WT-R				
F1	REVISED PER ECO-11-005294	RK	HMR	12APR11	WIRE — RANGE — INSULATION 2-6mm <sup>2</sup> .160-.210				
LTR	REVISION RECORD	DR	CHK	DATE	TOLERANCE EXCEPT AS NOTED ± .015 [0.38] ± 1°				
DR C. SLOUGH					TYPE AUTOMATIC				
CHK K. STEVENS 11/17/10					LOC E				
APP [Signature]					NO A C-150530				
					REV F1				
NAME FASTON RECEPTACLE '375 [9.52] SERIES'									