



Chipsmall Limited consists of a professional team with an average of over 10 year of expertise in the distribution of electronic components. Based in Hongkong, we have already established firm and mutual-benefit business relationships with customers from,Europe,America and south Asia,supplying obsolete and hard-to-find components to meet their specific needs.

With the principle of “Quality Parts,Customers Priority,Honest Operation,and Considerate Service”,our business mainly focus on the distribution of electronic components. Line cards we deal with include Microchip,ALPS,ROHM,Xilinx,Pulse,ON,Everlight and Freescale. Main products comprise IC,Modules,Potentiometer,IC Socket,Relay,Connector.Our parts cover such applications as commercial,industrial, and automotives areas.

We are looking forward to setting up business relationship with you and hope to provide you with the best service and solution. Let us make a better world for our industry!



Contact us

Tel: +86-755-8981 8866 Fax: +86-755-8427 6832

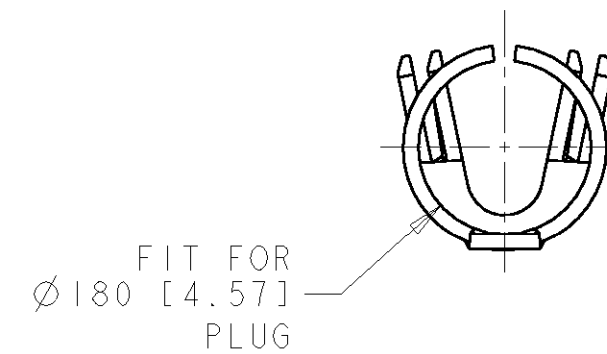
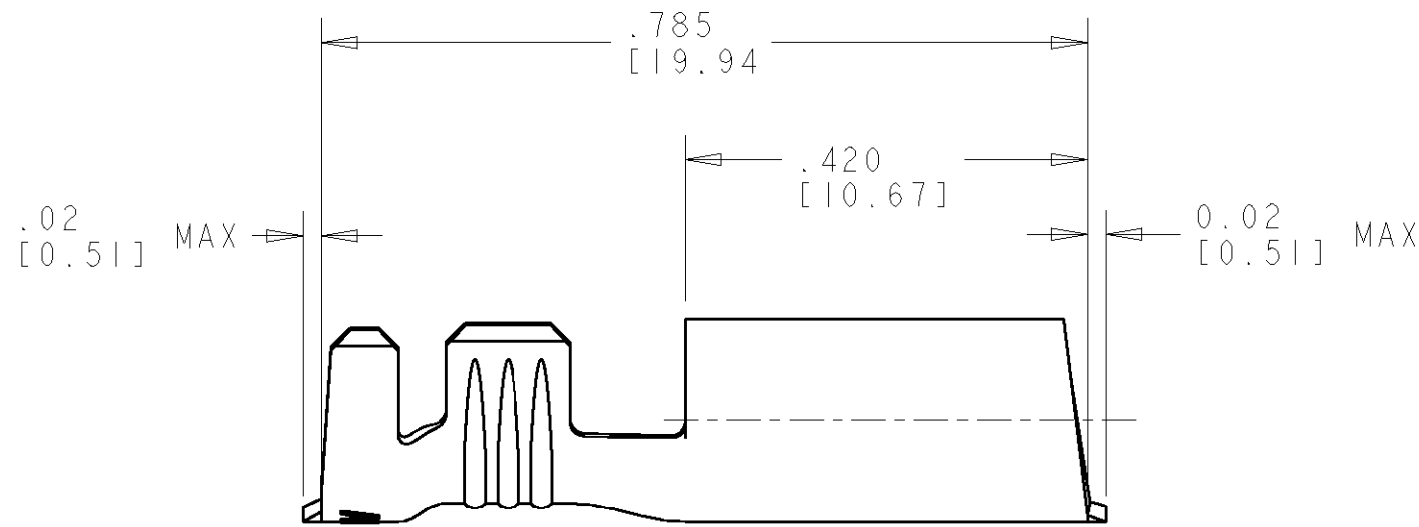
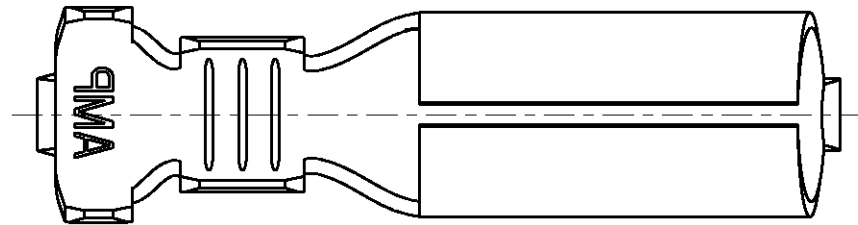
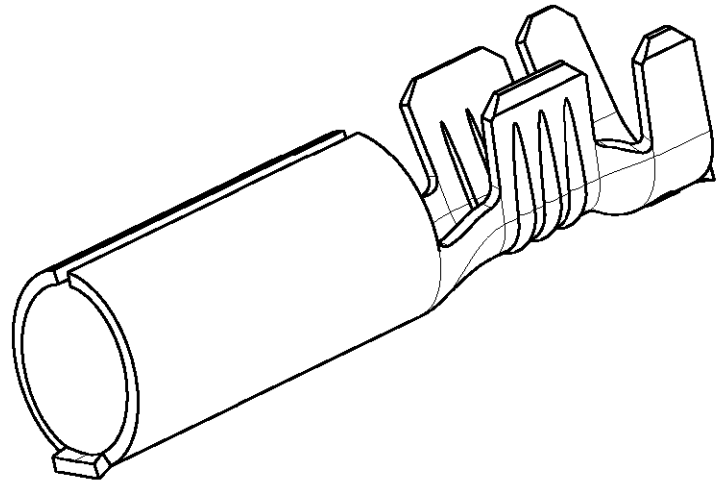
Email & Skype: info@chipsmall.com Web: www.chipsmall.com

Address: A1208, Overseas Decoration Building, #122 Zhenhua RD., Futian, Shenzhen, China



THIS DRAWING IS UNPUBLISHED. RELEASED FOR PUBLICATION 09-Aug-01
 © COPYRIGHT 2001 BY TYCO ELECTRONICS CORPORATION. ALL RIGHTS RESERVED.

LOC	DIST	REVISIONS					
E	B	P	LTR	DESCRIPTION	DATE	DWN	APVD
			G	EB00-0306-01	09AUG2001	AJB	-



1. WIRE CRIMP TO SUIT 16 - 12 AWG
 INSULATION CRIMP TO SUIT DIA .120-.170 [3.04 - 4.32]
 2 150557-5 FOR TYCO BRAZIL ONLY.

FINISH	MATERIAL	PART NUMBER
	PHOSPHOR BRONZE TEMPER 4	150557-5
	RED BRASS, TEMPER 6	150557-4
	PHOSPHOR BRONZE, TEMPER 2	150557-3
	PHOSPHOR BRONZE, TEMPER 4	150557-0

THIS DRAWING IS A CONTROLLED DOCUMENT FOR TYCO ELECTRONICS CORPORATION
 IT IS SUBJECT TO CHANGE AND THE CONTROLLING ENGINEERING ORGANIZATION
 SHOULD BE CONTACTED FOR THE LATEST REVISION.

DIMENSIONS:	TOLERANCES UNLESS OTHERWISE SPECIFIED:
INCH [mm]	LINEAR ±0.5
	0 PLC ±0.1
	1 PLC ±0.1
	2 PLC ±0.05
	3 PLC ±
	4 PLC ±
	ANGLES ±0.5
	FINISH -

DWN	09AUG2001
CHK	A. J. BEKEN
APVD	09AUG2001
PRODUCT SPEC	-
APPLICATION SPEC	-
WEIGHT	-
CUSTOMER DRAWING	

Tyco Electronics UK Ltd, Stanmore, Middlesex, HA7 4RS.	
NAME SHUR PLUG RECEPTACLE .180 [4.57] DIA	
SIZE A3	CAGE CODE 00779
DRAWING NO C-150557	RESTRICTED TO -
SCALE 5:1	SHEET 1 OF 1
REV G	