



Chipsmall Limited consists of a professional team with an average of over 10 year of expertise in the distribution of electronic components. Based in Hongkong, we have already established firm and mutual-benefit business relationships with customers from,Europe,America and south Asia,supplying obsolete and hard-to-find components to meet their specific needs.

With the principle of “Quality Parts,Customers Priority,Honest Operation,and Considerate Service”,our business mainly focus on the distribution of electronic components. Line cards we deal with include Microchip,ALPS,ROHM,Xilinx,Pulse,ON,Everlight and Freescale. Main products comprise IC,Modules,Potentiometer,IC Socket,Relay,Connector.Our parts cover such applications as commercial,industrial, and automotives areas.

We are looking forward to setting up business relationship with you and hope to provide you with the best service and solution. Let us make a better world for our industry!



Contact us

Tel: +86-755-8981 8866 Fax: +86-755-8427 6832

Email & Skype: info@chipsmall.com Web: www.chipsmall.com

Address: A1208, Overseas Decoration Building, #122 Zhenhua RD., Futian, Shenzhen, China



PART NAME: KNOB

SCALE: 1:1

DATE: 6/20/11

DR. BY: JAM

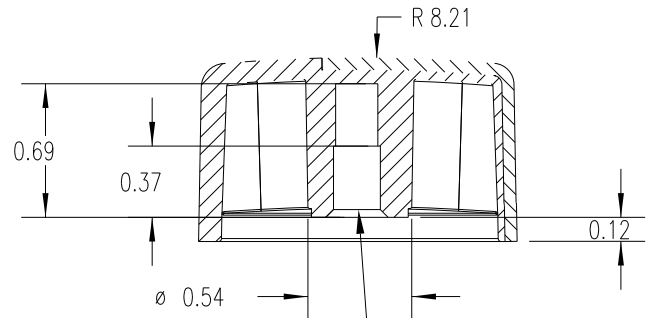
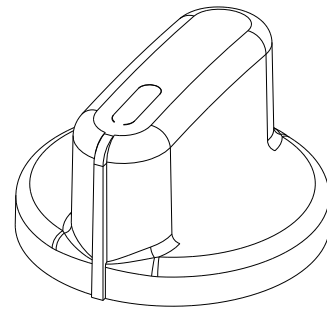
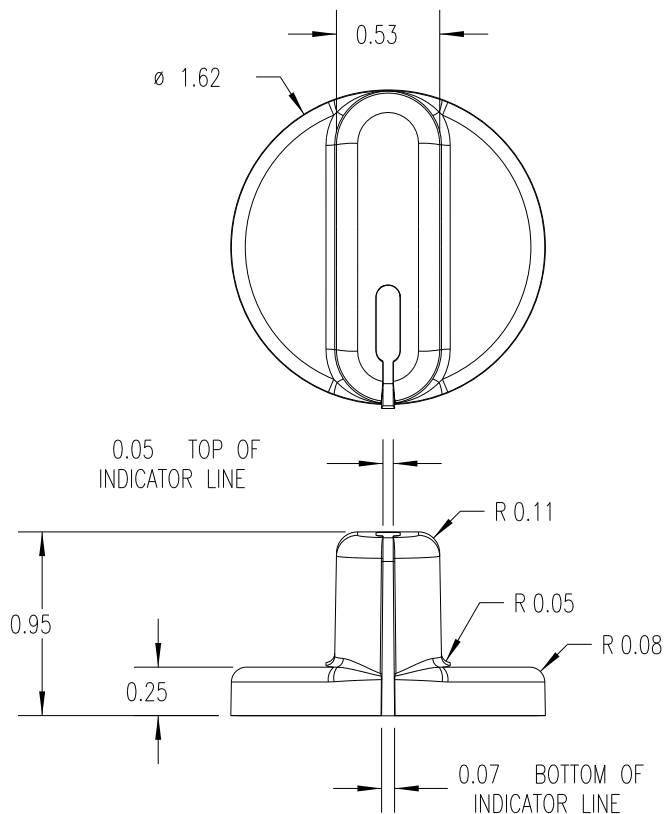


DESIGNERS & MANUFACTURERS
OF KNOBS, HANDLE ENDS, CAPS &
CUSTOM PLASTIC COMPONENTS

P/N 1506-K

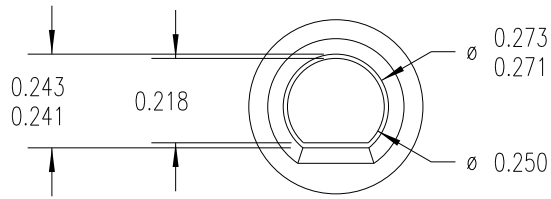
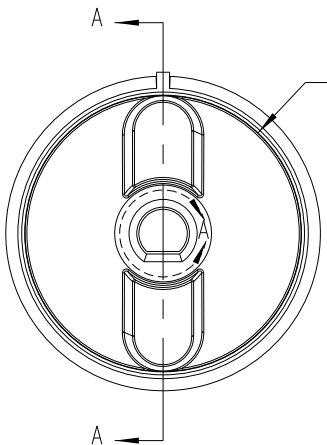
THIS DRAWING IS THE PROPERTY OF DAVIES MOLDING COMPANY, IS SUBMITTED SOLELY AS A DESIGN OR ENGINEERING PROJECT.
WE ACCEPT NO RESPONSIBILITY WHATSOEVER FOR THE PRACTICAL APPLICATION OF THE PIECES MADE TO THIS DESIGN.

MOLD #	1505/1506/2813
CAVITY	1506
CORE	1506
PIN	1506-J
INSERT	11216 (SPRING)



SPRING 11216 TO ACCOMMODATE
A ø 1/4 SHAFT FLATTED TO 0.218

SECTION A-A



DETAIL A
SCALE 2 : 1
(MOLDED HOLE)

MATERIAL: SUBSTRATE: POLYPROPYLENE (CLD)
COLOR: WHITE (PC23083)

MATERIAL: OVERMOLD : TPE (TPE3)
COLOR: BLACK

TOLERANCES: UNLESS OTHERWISE SPECIFIED	DO NOT SCALE DRAWING			
DECIMALS: X.XXX ± .005 X.XX ± .015	MM: X.XX ± 0.15MM X.X ± 0.4MM	-	WAS SK1506-18	JAM 6/20/11
FRACTIONS ± 1/64	ANG. ± 1°	CHANGES		