



Chipsmall Limited consists of a professional team with an average of over 10 year of expertise in the distribution of electronic components. Based in Hongkong, we have already established firm and mutual-benefit business relationships with customers from,Europe,America and south Asia,supplying obsolete and hard-to-find components to meet their specific needs.

With the principle of “Quality Parts,Customers Priority,Honest Operation,and Considerate Service”,our business mainly focus on the distribution of electronic components. Line cards we deal with include Microchip,ALPS,ROHM,Xilinx,Pulse,ON,Everlight and Freescale. Main products comprise IC,Modules,Potentiometer,IC Socket,Relay,Connector.Our parts cover such applications as commercial,industrial, and automotives areas.

We are looking forward to setting up business relationship with you and hope to provide you with the best service and solution. Let us make a better world for our industry!



## Contact us

Tel: +86-755-8981 8866 Fax: +86-755-8427 6832

Email & Skype: info@chipsmall.com Web: www.chipsmall.com

Address: A1208, Overseas Decoration Building, #122 Zhenhua RD., Futian, Shenzhen, China



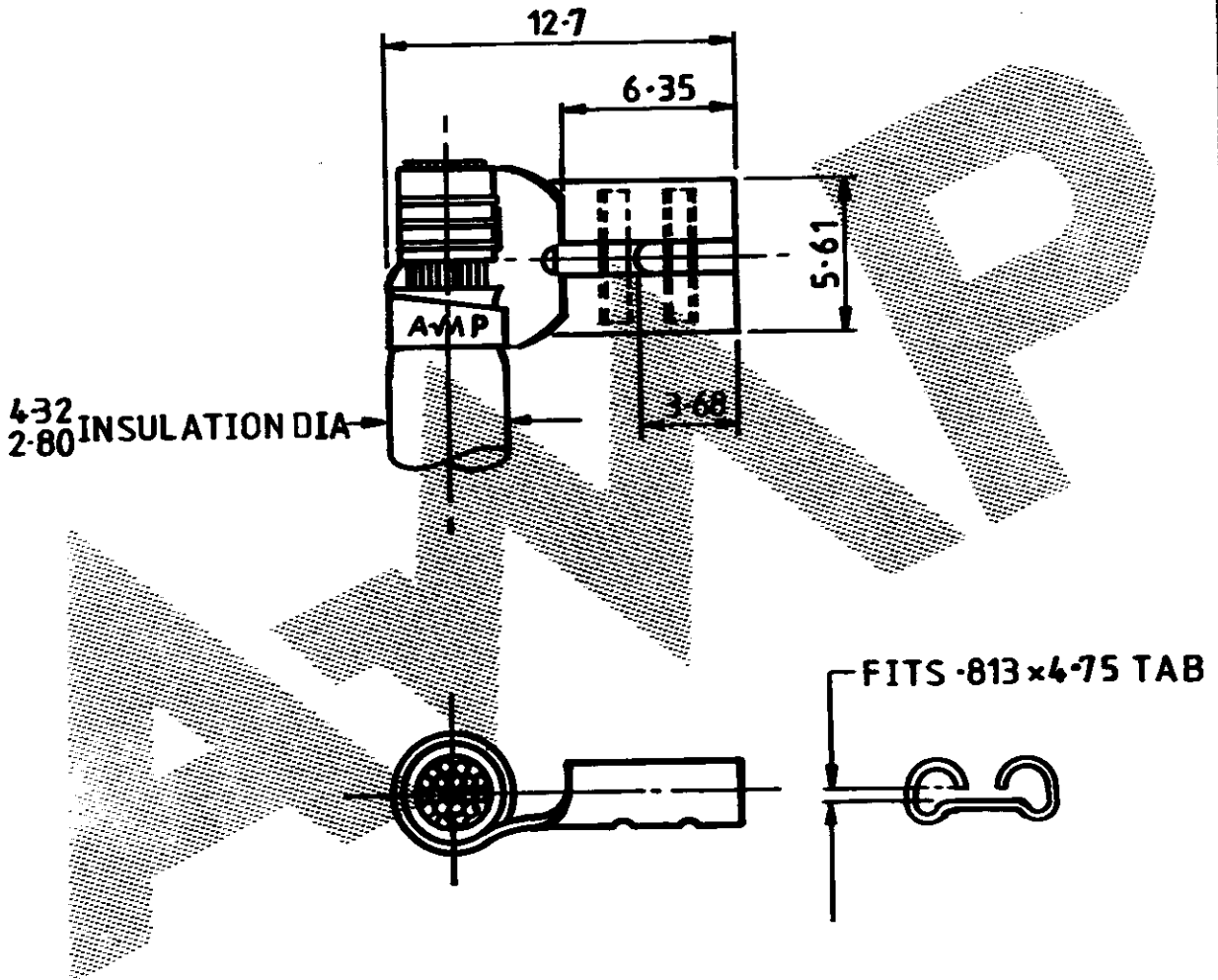
DO NOT SCALE

DIMENSIONS IN m.m

METRIC



NUMBER C 150699



TERMINAL NO	FINISH
150699 -1	NONE
150699 -2	ELECTRO-TIN

	SEE TABLE	.0126"BRASS	150699-1
OTHER TREATMENT	FINISH	MATERIAL	PART NUMBER
CUSTOMER DWG FOR REFERENCE ONLY		THIS DRAWING IS UNPUBLISHED   RELEASED FOR PUBLICATION	
		TOLERANCES UNLESS OTHERWISE STATED:- DEC. = 0.5 ANGLES = 1°	INS. DIA. RANGE 20 - 16 SCALE 4:1
		DR. A. B. HAYDEN	TE Connectivity <b>WIRE TERMINAL -187 SERIES</b> <b>FLAG FASTON</b>
		CHK <i>Mark H...</i>	
3	REVISED PER ECO-11-005294	RK 11APR 11	NAME
ISS	REVISION RECORD	DR DATE	LOC. DWG. NO. SHEET E C 150699 1 of 1

PRINT