



Chipsmall Limited consists of a professional team with an average of over 10 year of expertise in the distribution of electronic components. Based in Hongkong, we have already established firm and mutual-benefit business relationships with customers from,Europe,America and south Asia,supplying obsolete and hard-to-find components to meet their specific needs.

With the principle of “Quality Parts,Customers Priority,Honest Operation,and Considerate Service”,our business mainly focus on the distribution of electronic components. Line cards we deal with include Microchip,ALPS,ROHM,Xilinx,Pulse,ON,Everlight and Freescale. Main products comprise IC,Modules,Potentiometer,IC Socket,Relay,Connector.Our parts cover such applications as commercial,industrial, and automotives areas.

We are looking forward to setting up business relationship with you and hope to provide you with the best service and solution. Let us make a better world for our industry!



Contact us

Tel: +86-755-8981 8866 Fax: +86-755-8427 6832

Email & Skype: info@chipsmall.com Web: www.chipsmall.com

Address: A1208, Overseas Decoration Building, #122 Zhenhua RD., Futian, Shenzhen, China



Aenderungsstand / Revision level		Beschreibung der Aenderung/ Revision Record	Geaendert Changed	Datum Date	Geprueft Approved	Datum Date
Solid / part	Zeichnung / drawing					
1	1	Laenge des Fussteils mod., Zeichnung angepasst	Czepat	18.05.04	Wien	18.05.04
1	2	Benennung geaendert, war WRH10FT6LG	Czepat	23.06.04	Wien	23.06.04

Loch Ø / Hole size

6.5 - 7mm

Blechedicke / Panel thickness

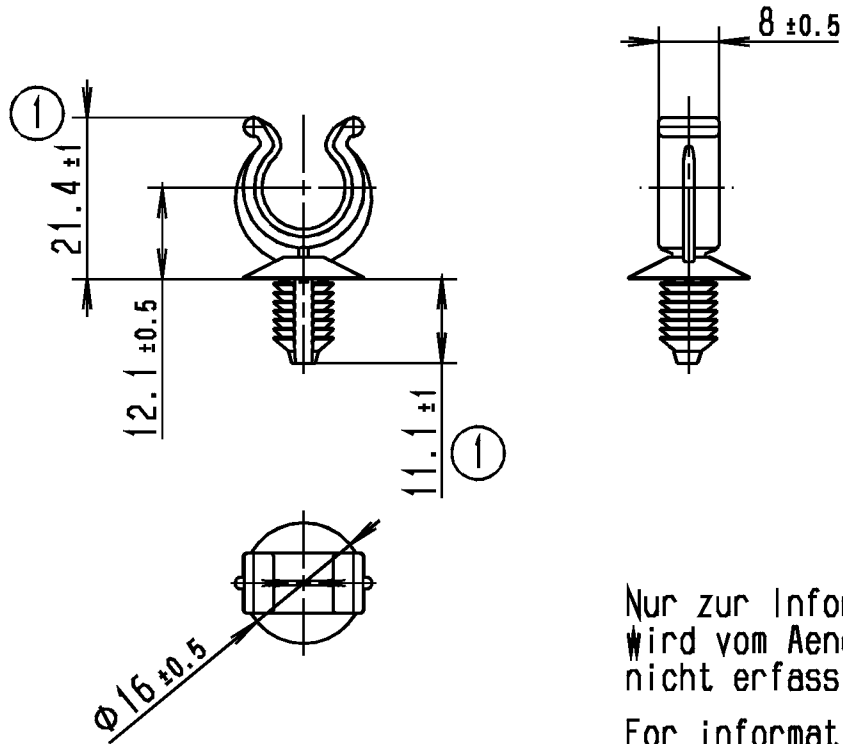
0.75 - 6mm

Buendel Ø / Bundle Diameter

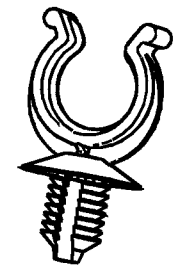
Wellrohr NW10 /
convoluted tube NW10

Werkstoff / Material

PA6.6 HS schlagzaeh /
PA6.6 HS impact modified
schwarz / black

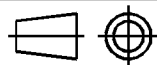


Nur zur Information,
wird vom Aenderungsdienst
nicht erfasst.
For information only,
not subject to alteration service.



Toleranzen / Tolerances

CATIA
4.2.4



Gez. / Drawn

09.12.03

Czepat

Masstab / Scale 1:1

NT-490-02

Gepr. / Appr.

09.12.03

Wien

Benennung / Title

Masse ohne Toleranzangaben nach
Dimension without tolerances
details to

DIN 16901 / 140

Weitergabe sowie Vervielfaeltigung dieser
Unterlage, Verwertung und Mitteilung ihres
Inhalts nicht gestattet, soweit nicht aus-
druecklich zugestanden. Zuwiderhandlungen
verpflichten zu Schadenersatz. Alle Rechte
fuer den Fall der Patenterteilung oder
Gebrauchsmuster-Eintragung vorbehalten.

The copyright of this drawing is reserved
by HELLERMANN TYTON GMBH. It is issued
on condition that it is not reproduced,
copied or disclosed to a third party, either
wholly or in part, without the consent of
HELLERMANN TYTON GMBH.

HellermannTyton

HellermannTyton GmbH

Grosser Moorweg 45, 25436 Tornesch
Telefon: 04122 / 701-1
Telefax: 04122 / 701-400

Wellrohrhalter/Convoluted Tube Clip
CTC10FT6LG

2 1

Zeichnungs-Nr./Drawing-No

14.1711

Format
D.Size A4

Blatt
Sheet

AUSFUEHRUNG / PERFORMANCE

SPEZIFIKATION / SPEC.

Product Number
Cross Reference Record

Uncontrolled Document

Pre-UNS Number System	(New) UNS Universal Number System	Customer Part Number
Product Number CTC10FT6LG	Product Number 151-00018	Product Number -
Reference Drawing Number: 14.1711		

Issued By:	(New) UNS Product Number	Issue Date:
HellermannTyton	Universal Numbering System	July 10, 2012