



Chipsmall Limited consists of a professional team with an average of over 10 year of expertise in the distribution of electronic components. Based in Hongkong, we have already established firm and mutual-benefit business relationships with customers from,Europe,America and south Asia,supplying obsolete and hard-to-find components to meet their specific needs.

With the principle of “Quality Parts,Customers Priority,Honest Operation,and Considerate Service”,our business mainly focus on the distribution of electronic components. Line cards we deal with include Microchip,ALPS,ROHM,Xilinx,Pulse,ON,Everlight and Freescale. Main products comprise IC,Modules,Potentiometer,IC Socket,Relay,Connector.Our parts cover such applications as commercial,industrial, and automotives areas.

We are looking forward to setting up business relationship with you and hope to provide you with the best service and solution. Let us make a better world for our industry!



## Contact us

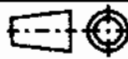
Tel: +86-755-8981 8866 Fax: +86-755-8427 6832

Email & Skype: info@chipsmall.com Web: www.chipsmall.com

Address: A1208, Overseas Decoration Building, #122 Zhenhua RD., Futian, Shenzhen, China



CATIA V4



Revision level Indice Änderungsstand		Revision Record Désignation Beschreibung der Änderung	Changed Modifié Geändert	Date Datum	Approved Approuvé Geprüft	Date Datum
Drawing Dessin Zeichnung	Part Pièce Solid					
1	1	Fussgeometrie geändert; Mass 12.5±0.5 war 13.7±0.5; Rahmen neu	Langloch	22.03.05	Schipek	22.03.05

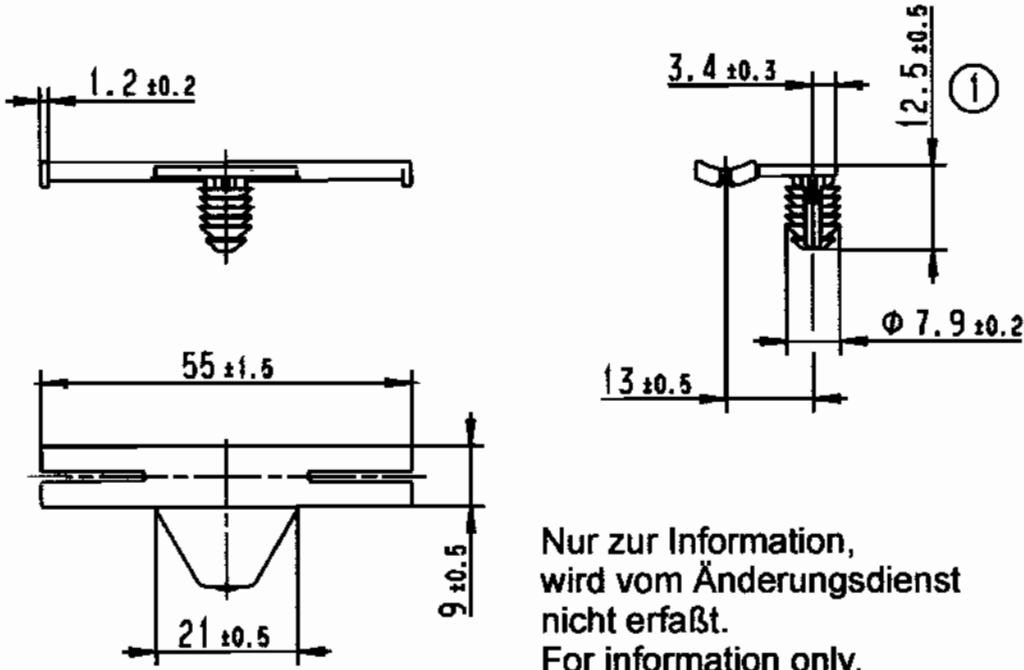
received  
5/30/05

Hellermann  
Tyton

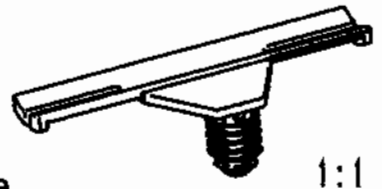
Hole Size  
Trou Ø  
Loch Ø  
6.5 - 7 mm

Panel Thickness  
Épaisseur Support  
Blechkicke  
0.7 - 5.1 mm

Material  
Matière  
Werkstoff  
PA66 schlagzäh,  
hitze stabilisiert /  
PA66 Impact modified,  
heat stabilized  
schwarz / black



Nur zur Information,  
wird vom Änderungsdienst  
nicht erfaßt.  
For information only,  
not subject to alteration service.



Tolerances  
Dimension without tolerances  
detail to:  
Tolérances  
Cotes sans tolérances:  
Toleranzen  
Messe ohne  
Toleranzangaben nach:  
DIN 16901 / 140

The copyright of this drawing is reserved by HELLERMANN TYTON. It is issued on condition that it is not reproduced, copied or disclosed to a third party, either wholly or in part, without the consent of HELLERMANN TYTON.  
Le propriété de ce plan est réservée à la société HELLERMANN TYTON. Il est distribué à condition qu'il ne soit pas reproduit, copié ou divulgué à une tierce partie, soit complètement ou en partie, sans le consentement de la société HELLERMANN TYTON.

Dessin  
Dessiné Par  
Gezeichnet  
Steiner  
03.02.04  
Approved  
Approuvé Par  
Geprüft  
Schipek  
03.02.04

**HellermannTyton**

Manchester Telephone: +44 (0) 161 945 4161  
Facsimile: +44 (0) 161 947 2288  
Tropes Telephone: +33 (0) 1 30 15 80 00  
München Telephone: +49 (0) 1 30 15 80 00  
Türmen Telephone: +49 (0) 41 82 / 701-1  
Telefax: +49 (0) 41 82 / 701-400

Scale  
Echelle  
Maßstab  
1:1  
Project Number  
Numéro de projet  
Projektnummer  
NT-310-02

Title  
Titre  
Benennung  
Stand off clip 5  
SOC5

Drawing-No  
Plan-No  
Zeichnungs-Nr  
14.1731  
Format  
D. Size  
A4  
Sheet

PERFORMANCE  
SPECIFICATION  
AUSFÜHRUNG  
SPEZIFIKATION

XCL-HMAN060CST

**Product Number**  
**Cross Reference Record**

Uncontrolled Document

<b>Pre-UNS Number System</b>	<b>(New) UNS Universal Number System</b>	<b>Customer Part Number</b>
Product Number  <b>SOC5FT6LG</b>	Product Number  <b>151-00074</b>	Product Number  -
Reference Drawing Number: <b>XCL-HMAN060CST(14.1731)</b>		

Issued By:	(New) UNS Product Number	Issue Date:
<b>HellermannTyton</b>	<b>Universal Numbering System</b>	<b>January 29, 2007</b>