



Chipsmall Limited consists of a professional team with an average of over 10 year of expertise in the distribution of electronic components. Based in Hongkong, we have already established firm and mutual-benefit business relationships with customers from,Europe,America and south Asia,supplying obsolete and hard-to-find components to meet their specific needs.

With the principle of “Quality Parts,Customers Priority,Honest Operation,and Considerate Service”,our business mainly focus on the distribution of electronic components. Line cards we deal with include Microchip,ALPS,ROHM,Xilinx,Pulse,ON,Everlight and Freescale. Main products comprise IC,Modules,Potentiometer,IC Socket,Relay,Connector.Our parts cover such applications as commercial,industrial, and automotives areas.

We are looking forward to setting up business relationship with you and hope to provide you with the best service and solution. Let us make a better world for our industry!



Contact us

Tel: +86-755-8981 8866 Fax: +86-755-8427 6832

Email & Skype: info@chipsmall.com Web: www.chipsmall.com

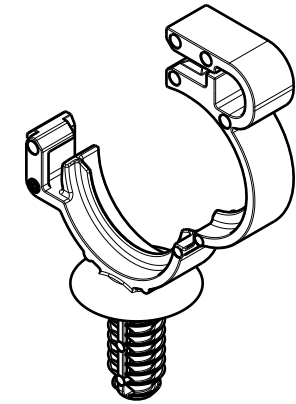
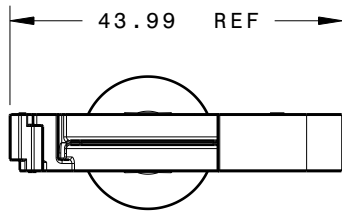
Address: A1208, Overseas Decoration Building, #122 Zhenhua RD., Futian, Shenzhen, China



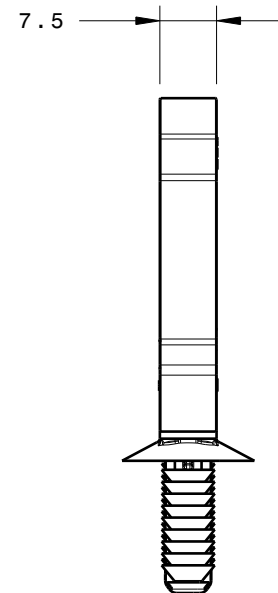
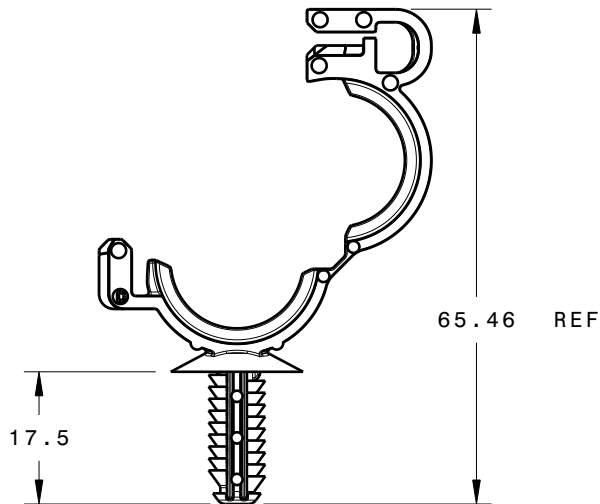
REFERENCE:

PERFORMANCE REQUIREMENTS AT DRY AS MOLDED:

1. FIR TREE PUSH IN FORCE: REF. 13 LBS MAX IN A 6.6mm HOLE AND A PLATE THICKNESS OF 1.8mm
2. FIR TREE PULL OUT FORCE: REF. 30 LBS MIN IN A 6.6mm HOLE AND A PLATE THICKNESS OF 1.8mm
3. SHEET METAL THICKNESS RANGE: 0.70mm - 12.7mm



Isometric View



INVENTORS

HellermannTyton[®]

ALL PROPRIETARY RIGHTS IN THE SUBJECT MATTER SHOWN ON THIS DRAWING ARE EXCLUSIVE PROPERTY OF HELLERMANNTYTON

name	date	city, state
S. ADAMS	6/25/07	MENOMONEE FALLS, WI.

REVISIONS	D	level	06
	R	by	SJA
	A	date	2/29/08
	W	ECN #	010975
	I	part level	D

DIMENSIONS	TOLEPRANNCES	.XXXX = ± 0.25
		.XXX = ± 0.50
		.XX = ± 1.00
		.X = ± 2.00
		∠ = ± 0.50
	unless otherwise specified	
	units	millimeters

PART	number	CTCL16FT6LG	PRODUCTION
	name	16mm CONVOLUTED TUBING CLIP (6.65mm +/- 0.35 HOLE)	
	material	NYLON 6/6, IMPACT MODIFIED, HEAT STABILIZED, UV RESISTANT COLOR: BLACK	
	phase		

DRAWING	FORMAT	AH	CATIA V5	SCALE	1:1
	VERSION	J	CAD	previous drawing number	
	A- SIZE (landscape)_N01				
	drawn	S. ADAMS	A. Clark	approved	
		6/25/07	08/09/07		
	type	CUSTOMER	sheet 1 of 1		
	number	MT07-016-001CST			