



Chipsmall Limited consists of a professional team with an average of over 10 year of expertise in the distribution of electronic components. Based in Hongkong, we have already established firm and mutual-benefit business relationships with customers from,Europe,America and south Asia,supplying obsolete and hard-to-find components to meet their specific needs.

With the principle of “Quality Parts,Customers Priority,Honest Operation,and Considerate Service”,our business mainly focus on the distribution of electronic components. Line cards we deal with include Microchip,ALPS,ROHM,Xilinx,Pulse,ON,Everlight and Freescale. Main products comprise IC,Modules,Potentiometer,IC Socket,Relay,Connector.Our parts cover such applications as commercial,industrial, and automotives areas.

We are looking forward to setting up business relationship with you and hope to provide you with the best service and solution. Let us make a better world for our industry!



Contact us

Tel: +86-755-8981 8866 Fax: +86-755-8427 6832

Email & Skype: info@chipsmall.com Web: www.chipsmall.com

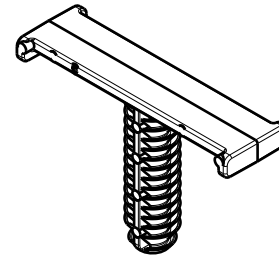
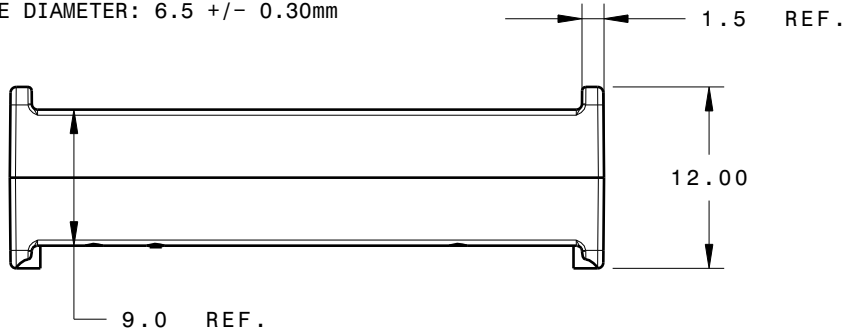
Address: A1208, Overseas Decoration Building, #122 Zhenhua RD., Futian, Shenzhen, China



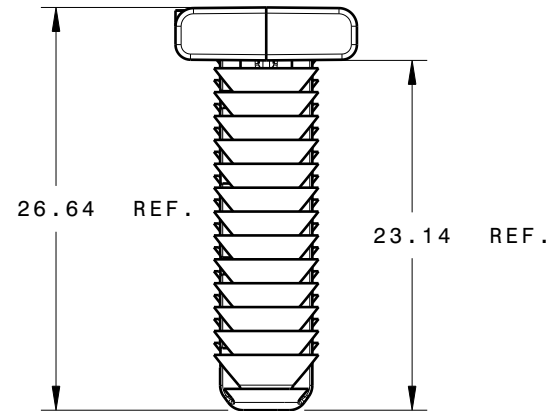
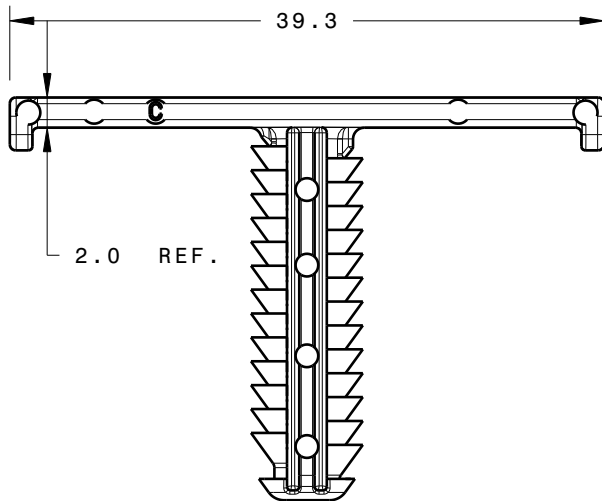
REFERENCE:

PERFORMANCE REQUIREMENTS AT DRY AS MOLDED:

1. FIR TREE PUSH IN FORCE: REF. 10 LBS MAX IN A 6.5mm HOLE AND A PLATE THICKNESS OF 1.8mm
2. FIR TREE PULL OUT FORCE: REF. 30 LBS MIN IN A 6.5mm HOLE AND A PLATE THICKNESS OF 1.8mm
3. SHEET METAL THICKNESS RANGE: 0.70mm - 18.0mm
4. CIRCULAR HOLE SIZE DIAMETER: 6.5 +/- 0.30mm



Isometric view
Scale: 1:1



INVENTORS

HellermannTyton®

ALL PROPRIETARY RIGHTS IN THE SUBJECT MATTER SHOWN ON THIS DRAWING ARE EXCLUSIVE PROPERTY OF HELLERMANN TYTON

name	date	city, state
S. ADAMS	3/20/2007	MENOMONEE FALLS, WI.

REVISIONS	D	level	05
	A	by	SJA
	N	date	10/30/08
	G	ECN #	011145
	C	part level	C

DIMENSIONS	TOLEPRANCSSES	.XXXX = ± 0.25
		.XXX = ± 0.50
		.XX = ± 1.00
		.X = ± 2.00
		∠ = ± 0.50
		unless otherwise specified
	units	millimeters

PART	number	TC6FT6LG	phase	PRODUCTION
	name	TAPE CLIP		
	material	NYLON 6/6, IMPACT MODIFIED, HEAT STABILIZED COLOR: NATURAL		

DRAWING	FORMAT	AH	CAD	CATIA V5	SCALE	2:1
	VERSION	J				
	A- SIZE (landscape)_N01	previous drawing number				
	drawn	S. ADAMS	checked	J. PASSILLA	approved	
		12/07/07		12/07/07		
	type	CUSTOMER	sheet 1 of 1			
number	MT07-054-001CST					