



Chipsmall Limited consists of a professional team with an average of over 10 year of expertise in the distribution of electronic components. Based in Hongkong, we have already established firm and mutual-benefit business relationships with customers from,Europe,America and south Asia,supplying obsolete and hard-to-find components to meet their specific needs.

With the principle of “Quality Parts,Customers Priority,Honest Operation,and Considerate Service”,our business mainly focus on the distribution of electronic components. Line cards we deal with include Microchip,ALPS,ROHM,Xilinx,Pulse,ON,Everlight and Freescale. Main products comprise IC,Modules,Potentiometer,IC Socket,Relay,Connector.Our parts cover such applications as commercial,industrial, and automotives areas.

We are looking forward to setting up business relationship with you and hope to provide you with the best service and solution. Let us make a better world for our industry!



Contact us

Tel: +86-755-8981 8866 Fax: +86-755-8427 6832

Email & Skype: info@chipsmall.com Web: www.chipsmall.com

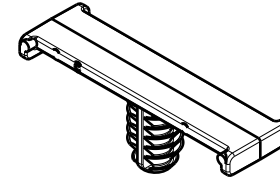
Address: A1208, Overseas Decoration Building, #122 Zhenhua RD., Futian, Shenzhen, China



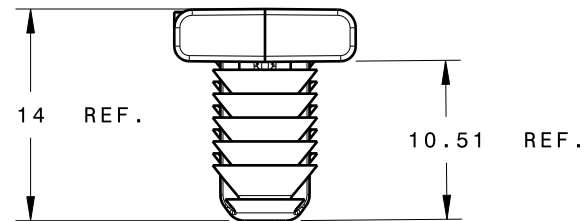
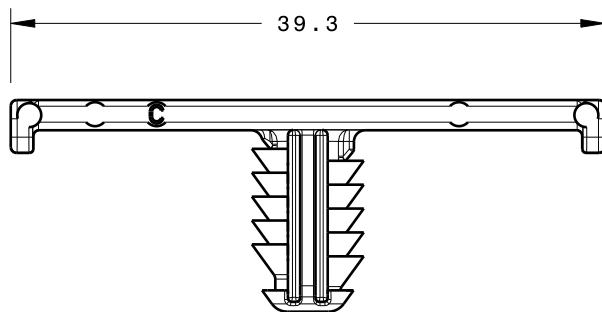
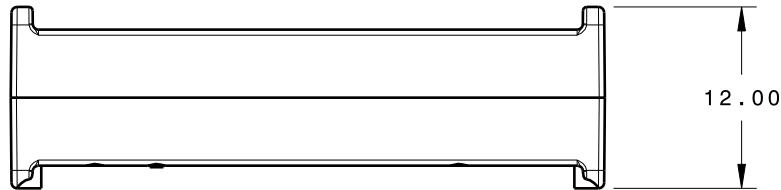
REFERENCE:

PERFORMANCE REQUIREMENTS AT DRY AS MOLDED:

1. FIR TREE PUSH IN FORCE: REF. 10 LBS MAX IN A 6.5mm HOLE AND A PLATE THICKNESS OF 1.8mm
2. FIR TREE PULL OUT FORCE: REF. 30 LBS MIN IN A 6.5mm HOLE AND A PLATE THICKNESS OF 1.8mm
3. SHEET METAL THICKNESS RANGE: 0.70mm - 5.75mm
4. CIRCULAR HOLE SIZE DIAMETER: 6.5mm +/- 0.40mm
5. APPLICABLE HEX HOLE: 6.35mm +/- 0.25mm



Isometric view
Scale: 1:1



PART NUMBER	MATERIAL	COLOR
TC6FT6	NYLON 6/6, IM, HS, UV RESISTANT	BLACK
	NYLON 6/6, IM, HS	NATURAL

INVENTORS

HellermannTyton®

ALL PROPRIETARY RIGHTS IN THE SUBJECT MATTER SHOWN ON THIS DRAWING ARE EXCLUSIVE PROPERTY OF HELLERMANN TYTON

name	date	city, state
S. ADAMS	3/20/2007	MENOMONEE FALLS, WI.

REVISIONS

level	by	date	ECN #	part level
06	AAC	03/30/12	012060	C

DIMENSIONS

TOLERANCES	units
.XXXX = ± 0.25	millimeters
.XXX = ± 0.50	
.XX = ± 1.00	
.X = ± 2.00	
∠ = ± 0.50	

unless otherwise specified

PART

number	TC6FT6	phase	PRODUCTION
name	TAPE CLIP		
material	SEE CHART		

DRAWING

FORMAT	AH	CAD	CATIA V5	SCALE	2:1
VERSION	J	previous drawing number			
A- SIZE (landscape)_N01					
drawn	S. ADAMS	checked	S. ADAMS	approved	
	12/07/07		03/30/12		
type	CUSTOMER	sheet 1 of 1			
number	MT07-054-002CST				