



Chipsmall Limited consists of a professional team with an average of over 10 year of expertise in the distribution of electronic components. Based in Hongkong, we have already established firm and mutual-benefit business relationships with customers from,Europe,America and south Asia,supplying obsolete and hard-to-find components to meet their specific needs.

With the principle of “Quality Parts,Customers Priority,Honest Operation,and Considerate Service”,our business mainly focus on the distribution of electronic components. Line cards we deal with include Microchip,ALPS,ROHM,Xilinx,Pulse,ON,Everlight and Freescale. Main products comprise IC,Modules,Potentiometer,IC Socket,Relay,Connector.Our parts cover such applications as commercial,industrial, and automotives areas.

We are looking forward to setting up business relationship with you and hope to provide you with the best service and solution. Let us make a better world for our industry!



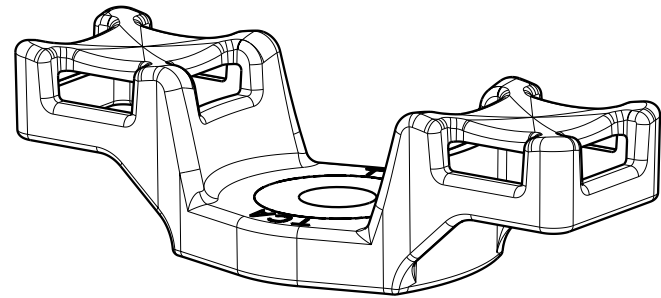
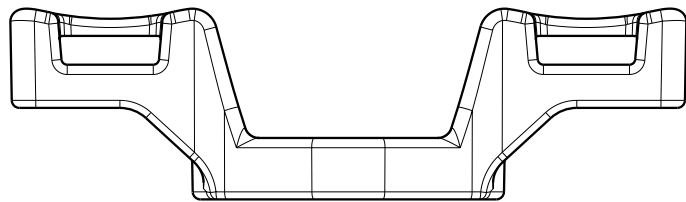
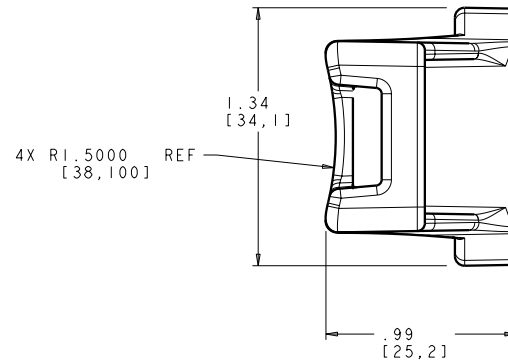
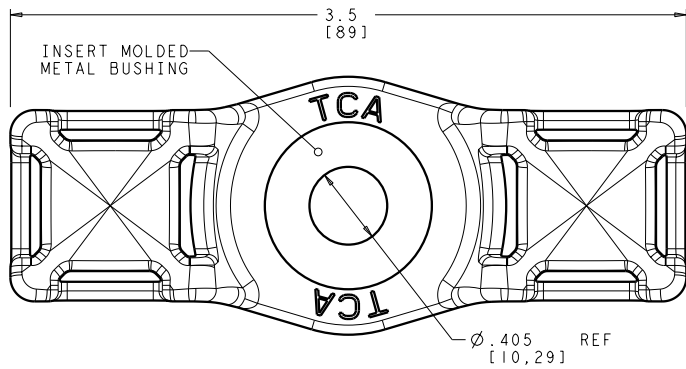
Contact us

Tel: +86-755-8981 8866 Fax: +86-755-8427 6832

Email & Skype: info@chipsmall.com Web: www.chipsmall.com

Address: A1208, Overseas Decoration Building, #122 Zhenhua RD., Futian, Shenzhen, China





ISOMETRIC VIEW

03

INVENTORS

HellermannTyton®

ALL PROPRIETARY RIGHTS IN THE SUBJECT MATTER SHOWN ON THIS DRAWING ARE EXCLUSIVE PROPERTY OF HELLERMANN TYTON

name	date	city, state
S. ADAMS	10/16/06	MENOONEE FALLS, WI.

REVISION

level	by	date	ECN #	part level
03	SJA	9/15/08	011118	A

DIMENSIONS

.XXXX= ±.0050
.XXX= ±.010
.XX= ±.02
.X= ±0.1
∠= ±0.5
unless otherwise specified
units inches

PART

number	HDM375BDM4W	phase	PRODUCTION
name	HIGH-TORQUE HEAVY-DUTY 4 WAY DUAL CABLE TIE MOUNT INSERT-MOLDED WITH METAL BUSHING		
material	NYLON 6/6, IMPACT MODIFIED, HEAT STABILIZED, UV STABILIZED COLOR: BLACK		

DRAWING

FORMAT	AH version	J	CAD	PRO-E	scale	1/1
computer file number	previous number					
drawn	S. ADAMS	checked	G. GEIGER	approved		
date	10/16/06	checked	10/17/08	approved		
type	CUSTOMER				sheet 1 of 1	
number	MT06-028-001CST					